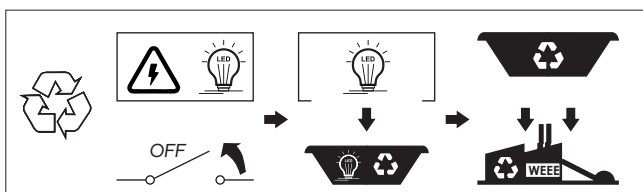
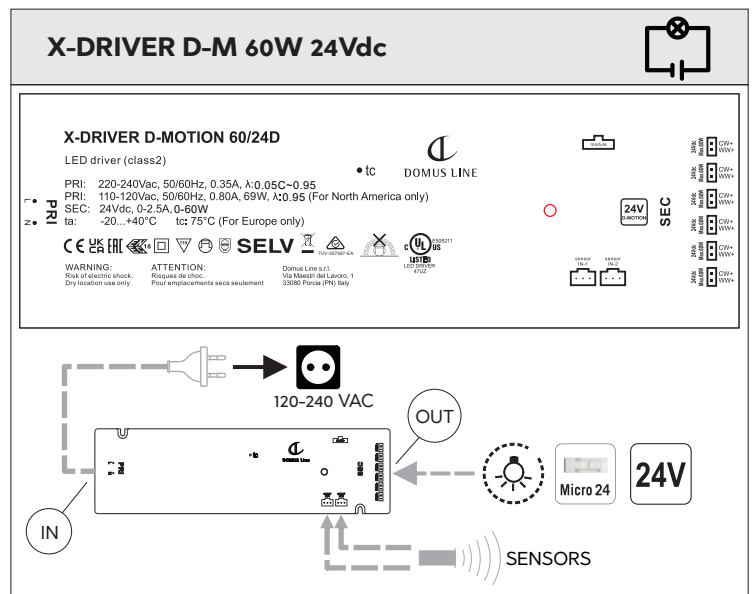
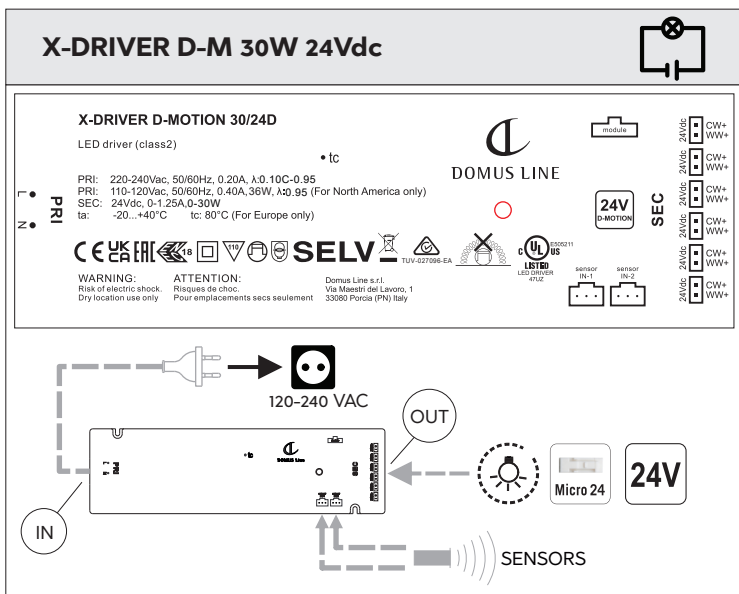
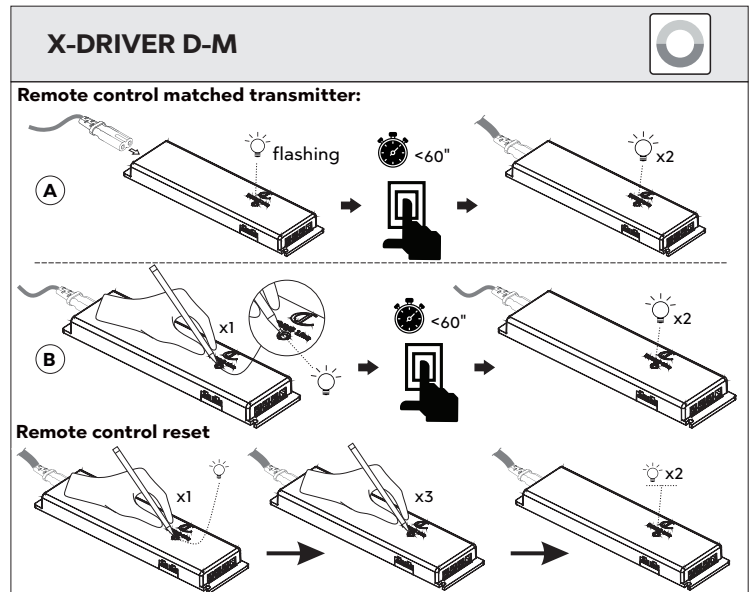
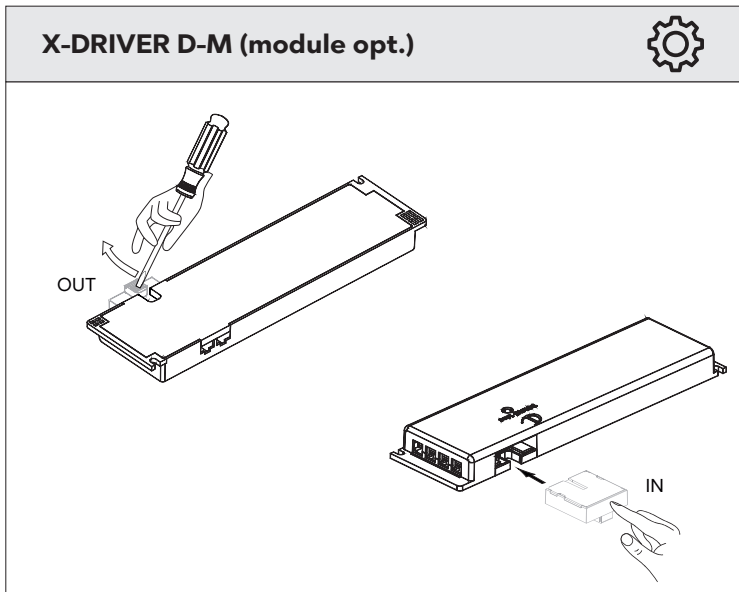
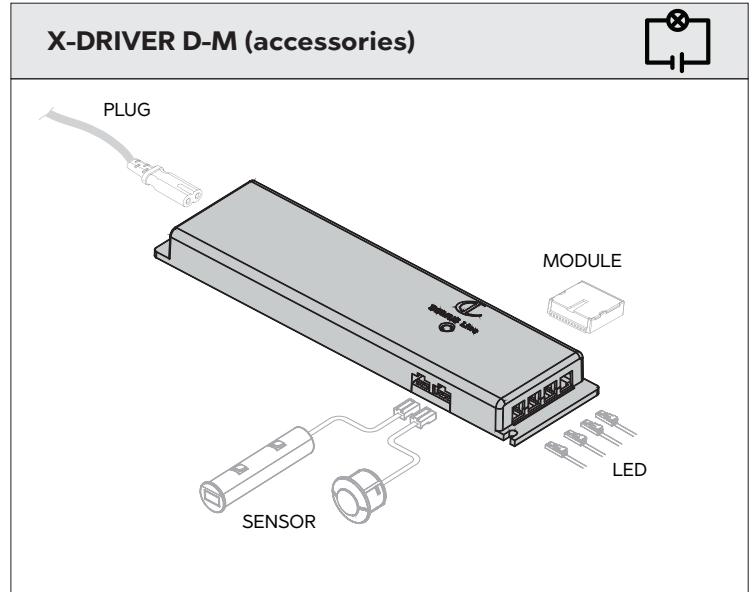




X-DRIVER D-M			
SPECIFICATION	X-DRIVER D-M 30W	X-DRIVER D-M 60W	X-DRIVER D-M 96W
Input voltage	220-240Vac 110-120Vac for North America only		
Input frequency	50/60Hz		
Input current	0,40A for 100-120Vac 0,20A for 220-240Vac	0,80A for 100-120Vac 0,35A for 220-240Vac	0,90A for 100-120Vac 0,45A for 220-240Vac
Output voltage	24Vdc	24Vdc	24Vdc
Rated output power	0-30W	0-60W	0-96W
Dimming range	2%-100%		
Operation mode	PWM+PFM		
Ambient temperature	-20...+40°C		
IP protection	IP20		

D ≥ 20mm





X-DRIVER 96W 24Vdc

X-DRIVER D-MOTION 96/24D
LED driver (class2)
PRI: 220-240Vac, 50/60Hz, 0.45A, λ: 0.05C-0.95
PRI: 110-120Vac, 50/60Hz, 0.9A, 104W, λ: 0.95 (For North America Only) • tc
SEC: 24Vdc, 0-4A, 0-96W
ta: -20...+40°C tc: 85°C (For Europe Only)

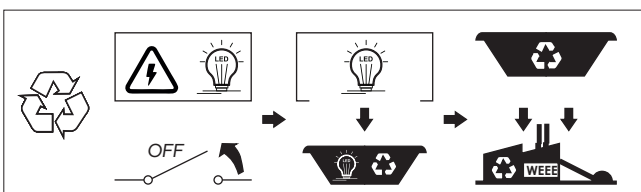
DOMUS LINE

WARNING: Risk of electric shock. Dry location use only.
ATTENTION: Risque de choc. Pour emplacements secs seulement.

Domus Line s.r.l.
Via Maestri del Lavoro, 1
33080 Porcia (PN) Italy

X-DRIVER D-M: Optional Accessories Table

	Radio receiver	Function	Functional fittings
Module CM5-XDM	Radio receiver for lighting control	RF	KINY



KINY UL

Fixed version:

Magnetic version:

KINY UL (D-M)

Remote control matched transmitter:

A

B

KINY UL (D-M)

Remote control reset

KINY UL

X-Driver + CM5-XD
Radio receiver for lighting control

Control module CM5-XD

KINY-1 UL
Remote radio emitter for lighting control
RF 433MHz

max 25m

max 6 remote radio emitters for 1 CM5-XD

KINY UL

ON - OFF

DIMMER LIGHT

OFF

KINY UL X-Driver D-M

X-Driver D-M + CM5-XDM
Radio receiver for lighting control

Control module CM5-XDM

KINY-1 UL
Remote radio emitter for lighting control
RF 433MHz

max 25m

max 6 remote radio emitters for 1 CM5-XDM

KINY UL D-M

x1

ON-OFF

DIMMER LIGHT

100% 10%

DIMMER LIGHT

10% 100%

KINY UL D-M: select function

DIMMER LIGHT

100% 10%

x2

DIMMER LIGHT TEMP.

DIMMER LIGHT TEMP.

KINY UL D-M

x1

ON-OFF

DIMMER LIGHT TEMP.

DIMMER LIGHT TEMP.

KINY UL

Match quantity

∞ Infinite

n°2 remote radio emitters

max 25m

max 25m

∞ Infinite

OFF

KINY UL

M0011000100_r1_p.2/2