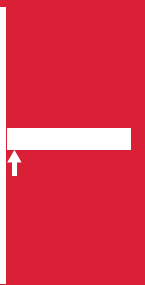


 **ITALIANA**[®]
f e r r a m e n t a



Triade

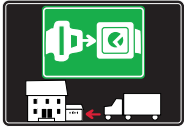


WOOD AND
GLASS
SHELVING
SYSTEMS



SYMBOLS AND FINISHES LEGEND

SYMBOLS



= SHELF SAFELY LOCKED DURING TRANSPORTATION AND AT HOME.



= ANTI-TURNOVER LOCKING SYSTEM



= NORMS / PATENTS



= PHILLIPS / POZIDRIV



= WITH BUFFER



= PART NO.



= BLADE SLOT



= WITH MAGNET



= PCS. PER PACKAGE



= COMBI SLOT



= HEXAGONAL SOCKET



= NEWTON



= CAPACITY LOADING



= HEXALOBULAR SOCKET



= FRICTION



= WOOD / GLASS THICKNESS



= COUNTERSUNK HEAD



= AUTOMATIC



= HOLE DIAMETER



= PAN HEAD



= DROP DOWN



= DIAMETER



= FLANGE HEAD



= LENGTH



= FLAT HEAD



= STANDARD HINGE



= HEIGHT



= TRILOBULAR SCREW



= KIMANA HINGE



= RIGHT VERSION



= SELF-TAPPING SCREW



= FLAP HINGE



= LEFT VERSION



= EURO THREAD



= WITH SPRING



= SETTING CODE



= METRIC THREAD



= WITHOUT SPRING



= PCS. PER PAD



= PRE-INSERTED SCREW



= REVERSED SPRING



= CUT ON REQUEST



= PRE-INSERTED SCREW AND SPREADING BUSH



= SELF ADHESIVE



= WITH FLANGE

NOTE: Printing errors and omissions may exist despite our best efforts to ensure accuracy. We reserve the right to alter specifications without notice.

MATERIALS

ZA = Zinc Alloy

ST = Steel

HSS = High Speed Steel

BR = Brass

ABS = Acrylonitrile Butadiene Styrene

ZAnk = Nickel-plated Zinc Alloy

STzk = Zinc-plated Steel

AL = Aluminium

WD = Wood

EVA = Ethylene Vinyl Acetate

EP = **ENGINEERING PLASTIC**

+ **EP** = other engineering plastic available on request

SR = **SOFT RUBBER**

+ **SR** = other soft rubber available on request

EPn = Natural Engineering Plastic

EPc = Clear Engineering Plastic

SRn = Natural Soft Rubber

EPw = White Engineering Plastic

EPg = Grey Engineering Plastic

SRw = White Soft Rubber

EPwg = Water Green Engineering Plastic

SRb = Black Soft Rubber



FINISHES



= OTHER FINISHES AVAILABLE ON REQUEST

PART NO.	FINISHES	PART NO.	FINISHES	PART NO.	FINISHES
00	Insignificant finish	IF	Middle Grey	UT	T-Met 9007
AA	Natural	IJ	Light Grey	UZ	T-Met
AB	White	IL	Grey 20	WA	Bronzed
AE	White 9010	IN	Grey met. 26	WI	Burnished
EA	Black	JB	Bright Aluminium	XD	Satin-finished Steel
EC	Matt Black	JC	Aluminium - Chrome	YA	Nickel-plated
EE	Anthracite	JD	Matt Aluminium	YB	Bright Nickel-plated
EW	Grey 9007	JE	Satin-finished Aluminium	YC	Matt Nickel-plated
FU	Gunmetal	JF	Aluminium - Brass	YD	Satin-finished Nickel-plated
FV	Gunmetal V52	JG	Aluminium 5	YQ	Black Nickel
GR	Raw	JL	Aluminium PE 11	Z9	Black Zinc
HA	Brass-Plated	JM	Aluminium RAL 9006	ZA	Zinc alloy
HH	Tropicalized	KA	Chrome	ZN	Zinc-plated
HL	Raw Brass	KB	Bright Chrome	ZQ	Bright Gold
HX	Graphite	KC	Matt Chrome	ZY	Titanium
IA	Grey	NN	Metallic Beige	ZZ	Clear
IB	Metallic Grey	RO	Red		

TRIADE

TRIADE is the concealed mounting bracket for shelves 25 to 40 mm thick. It has been conceived to simplify the shelf installation. It is provided with three independent adjustments:


- 1) VERTICAL: before installing the shelf, the mounting brackets can be adjusted in height and (vertically) aligned through the slots.
- 2) HORIZONTAL: while placing the shelf in position, the supporting pins can be slid horizontally.
- 3) INCLINATION: when the shelf is partially inserted, the shelf angle can be adjusted front to back by turning the supporting pins with a 10mm open-ended wrench.

The capacity loading is 15 Kg each (shelf weight included) for a shelf max 300 mm deep.
The minimum shelf depth required is 160mm.

ADDITIONAL BENEFITS DUE TO SECURITY LOCKING FEATURE

- Simple additional drilling.
- Small diameter hole in the shelf (only \varnothing 3,5 mm).
- Multiple assembly and disassembly of the shelf.
- Suitable for all thicknesses.
- Tested on plywood, mdf and chipboard.

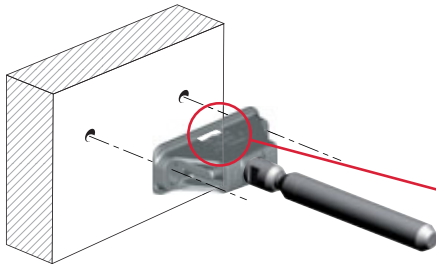
30-40 mm 

15 kg for each shelf support
for shelf 300 mm deep 

PAT. PENDING 

INSTALLATION AND ADJUSTMENTS

WOOD PANEL



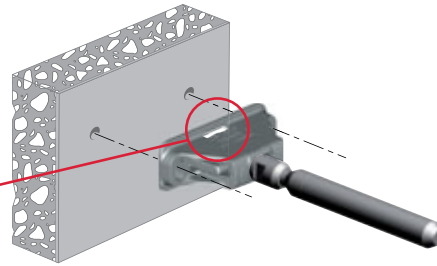
Recommended fixing pan head screw type - head \varnothing 5 mm max.

VERY IMPORTANT

Triade has to be installed with the writing "TOP - ALTO" facing upwards.



SOLID AND PLASTERBOARD PANEL

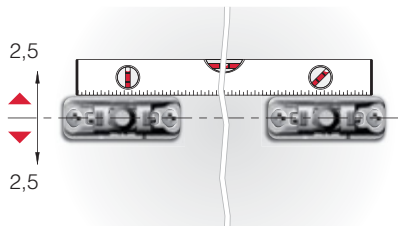


It is the responsibility of the customer:

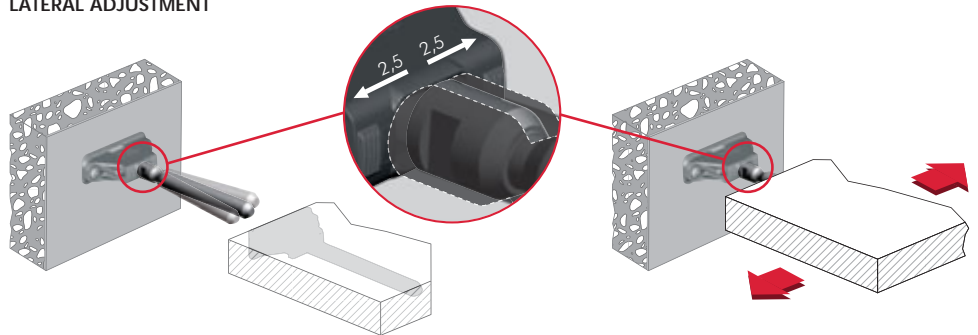
- to ensure the wall is of a suitable quality to hold the shelf fixing in place.
- to use the proper hardware fittings according to the construction of the wall.

For more specific information, please refer to the WARNINGS section at the end of the catalogue.

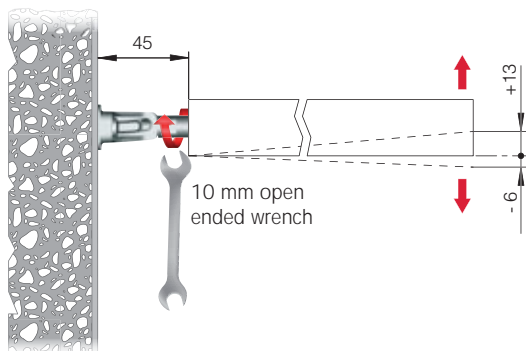
BRACKET ALIGNMENT



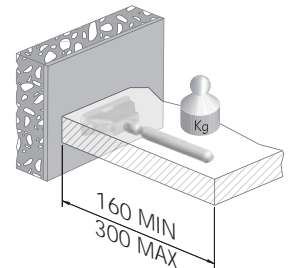
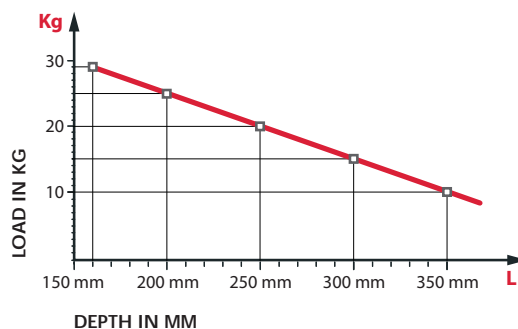
LATERAL ADJUSTMENT



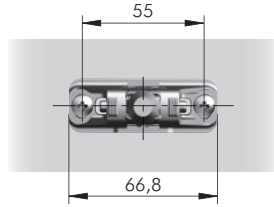
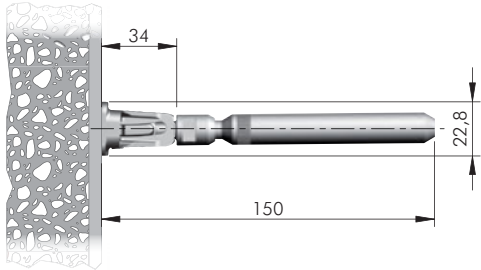
INCLINATION ADJUSTMENT



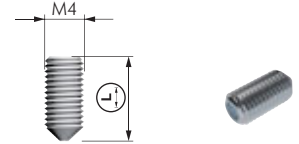
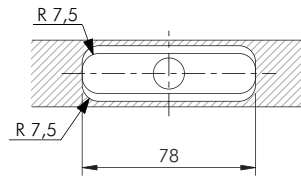
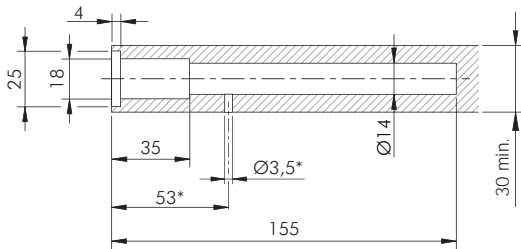
COMBINATION SHELF LOAD AND SHELF DEPTH (The figures refer to 1 shelf support)



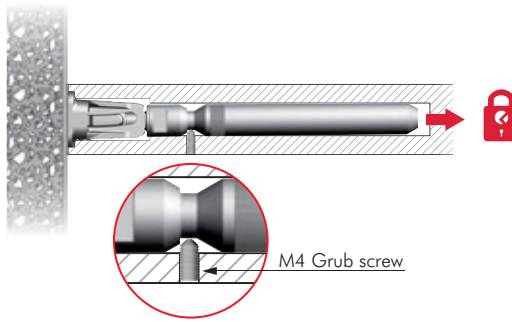
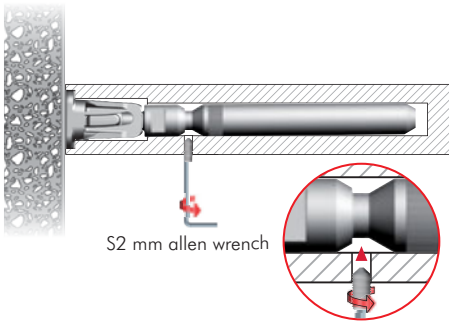
+ shelf weight = 15 kg
MAX for each shelf support



= PZ2 = open ended wrench 10 mm
 = 50 pcs.
 123 **1621501000**



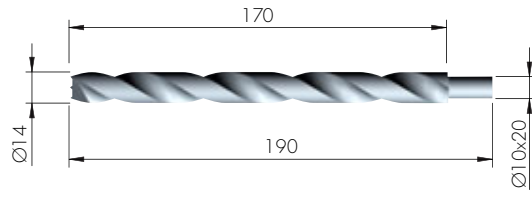
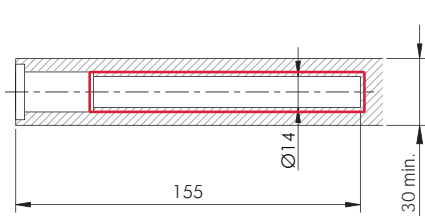
* Optional drilling for security locking with M4 grub screw placed underneath in alignment with the cavity.



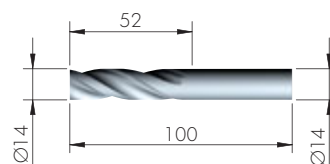
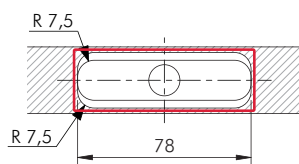
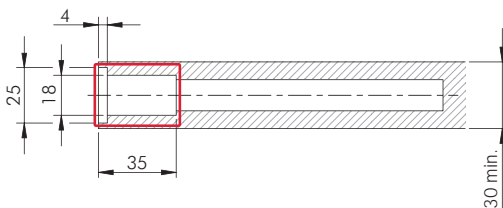
= S2 mm = 100 pcs.

21105180ZN 10 30
21105220ZN 16 40

DRILL BIT FOR TRIADE



 = on request
 123 **1621452000**



 = on request
 123 **1621454000**

TRIADE AND BRACKET

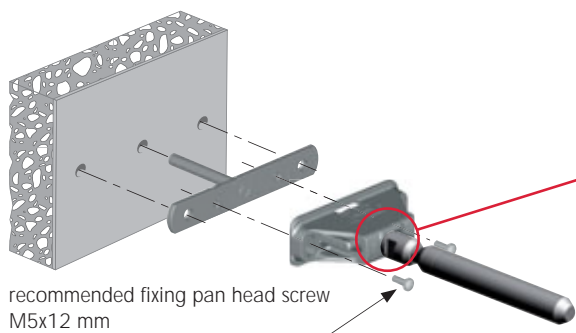
BRACKET FOR TRIADE with pin is a valid complement to the concealed shelf support Triade.

Ideal to improve the shelf support capacity loading by evenly distributing the shelf load on the wall through a Ø8mm pin.

The Ø8 mm pin allows to reduce the load taken by the two fixing screws.

INSTALLATION

SOLID AND PLASTERBOARD PANEL



VERY IMPORTANT

Triade has to be installed with the writing "TOP - ALTO" facing upwards.



It is the responsibility of the customer:

- to ensure the wall is of a suitable quality to hold the shelf fixing in place.
- to use the proper hardware fittings according to the construction of the wall.

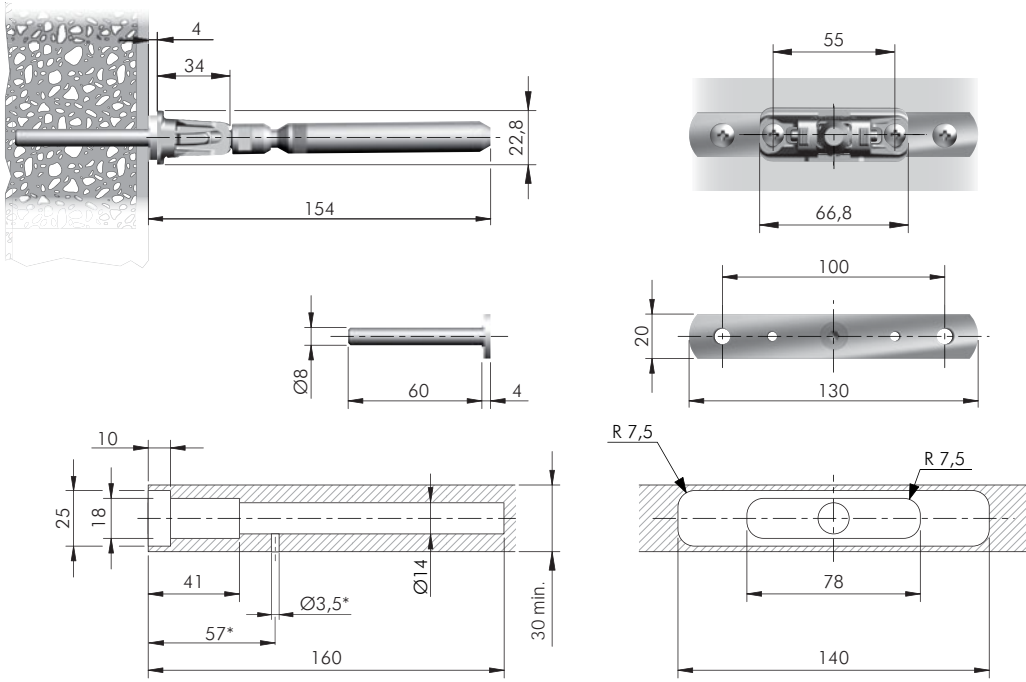
For more specific information, please refer to the WARNINGS section at the end of the catalogue.



	= PZ2		= open ended wrench 10 mm
			= 50 pcs.
1621501000			



	= M5			= 100 pcs.
16215020ZN				



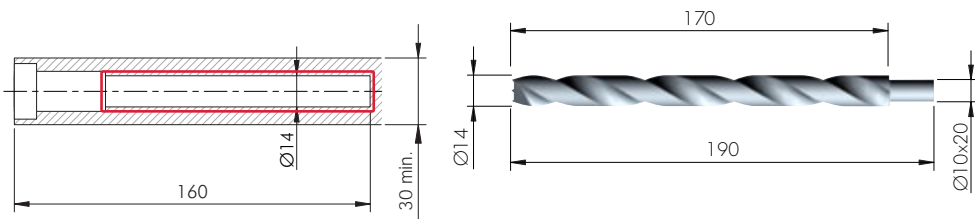
* Optional drilling for security locking with M4 grub screw placed underneath in alignment with the cavity. For details refer to Triade section.

TRIADE BRACKET FIXING ACCESSORY

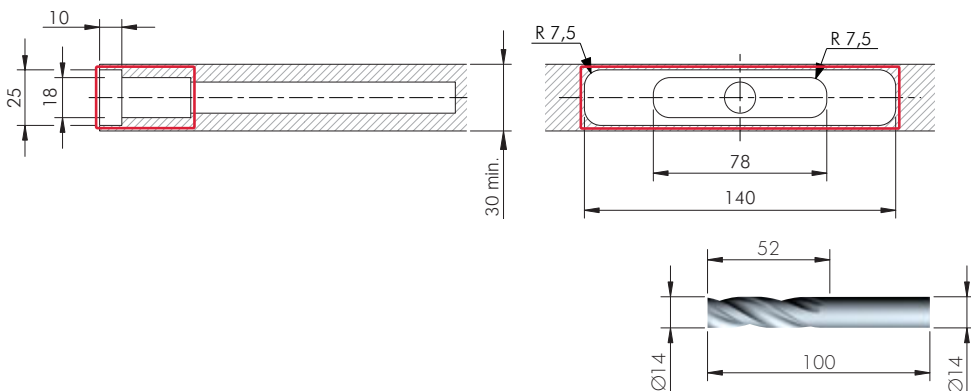


= M5	= PZ2	
= ST		= 7000 pcs.
<p>60334030ZN</p>		

DRILL BIT FOR TRIADE AND BRACKET



= HSS	= on request
<p>1621452000</p>	

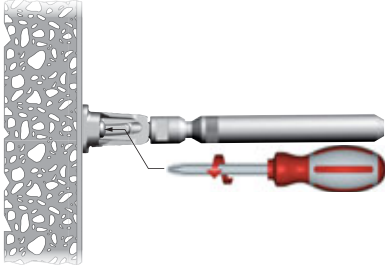


= HSS	= on request
<p>1621454000</p>	

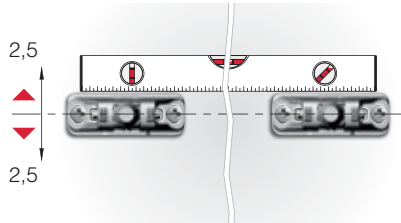
APPLICATION FOR ALL TRIADE VERSIONS

VERTICAL ADJUSTMENTS

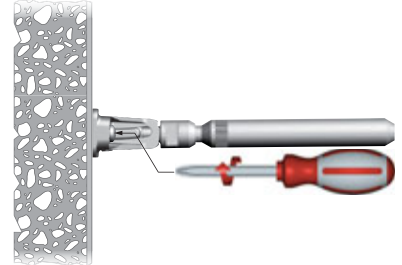
RELEASE THE FIXING SCREWS



ALIGN BRACKETS VERTICALLY ACCORDINGLY

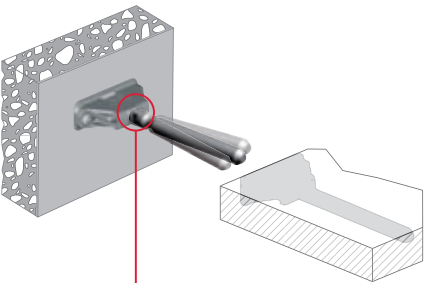


TIGHT THE FIXING SCREWS

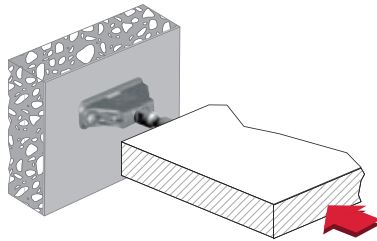


SHELF INSERTING AND LATERAL ADJUSTMENT

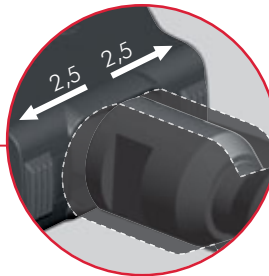
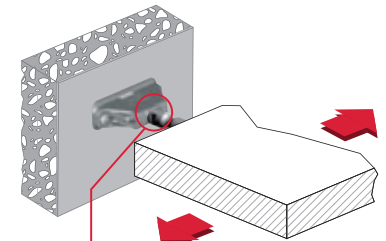
TILT THE SHELF TO MATCH BOTH SUPPORTING PINS AND SHELF HOUSINGS



INSERT PARTIALLY THE SHELF

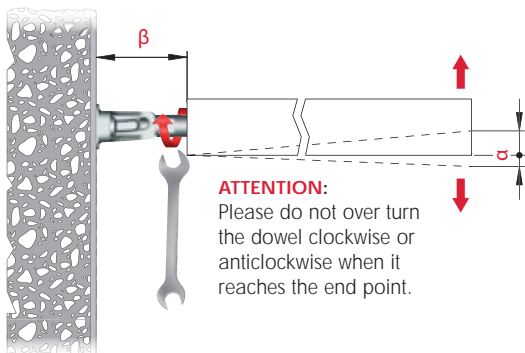


ADJUST THE SHELF LATERALLY ACCORDING TO THE APPLICATION (i.e. MULTI-SHELF COMPOSITION)



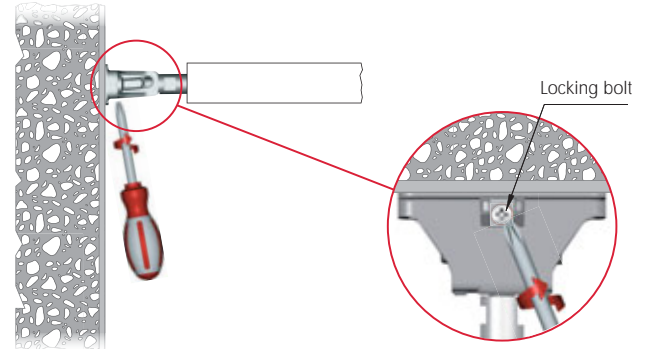
INCLINATION ADJUSTMENTS

TURN CLOCKWISE THE SUPPORTING PIN WITH A 10 - 12 mm OPEN-ENDED WRENCH TO ADJUST THE SHELF ANGLE FRONT TO BACK ACCORDINGLY



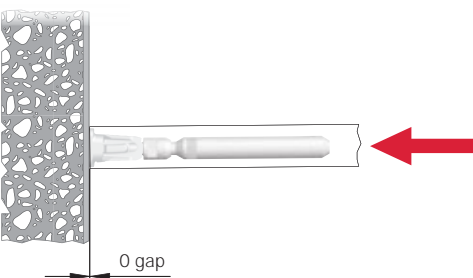
MODEL	β (mm)	α (mm)
TRIADE MINI	approx. 45	-6 +13
TRIADE	approx. 45	-6 +13
TRIADE MAXI	approx. 70	-8 +20
TRIADE XXL	approx. 70	-8 +20

SCREW THE LOCKING BOLT TO BLOCK THE PIN



SHELF INSERTING FOR ALL TRIADE MODELS

PUSH THE SHELF AGAINST THE WALL UNTIL THE END



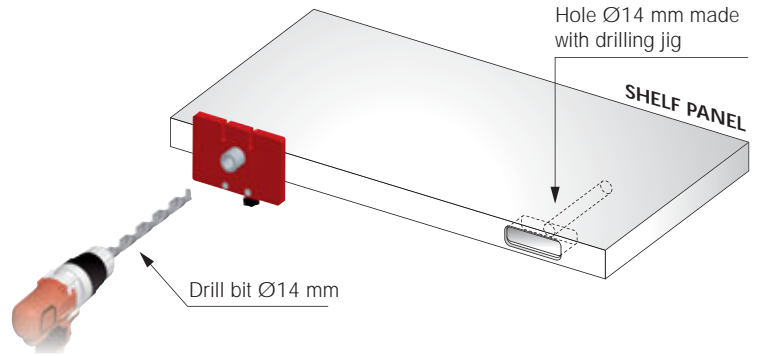
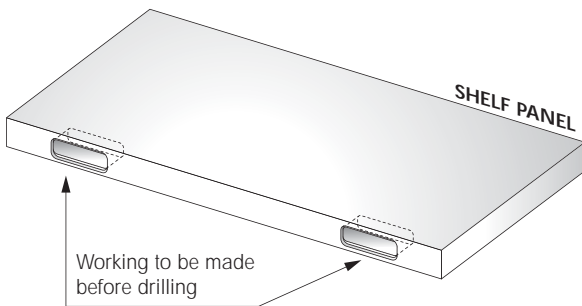


DRILLING JIG FOR TRIADE

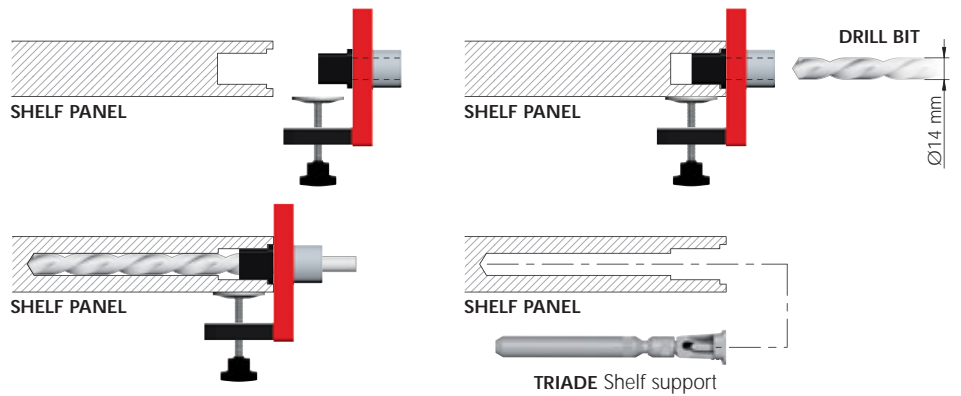
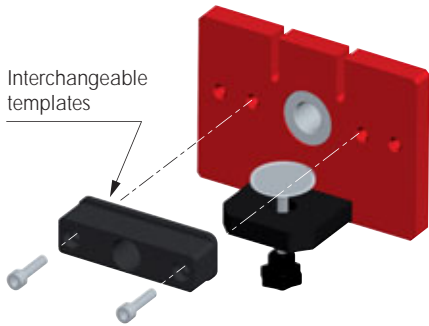


50 mm MAX 

GENERAL SPECIFICATIONS



APPLICATION



TEMPLATES AVAILABLE

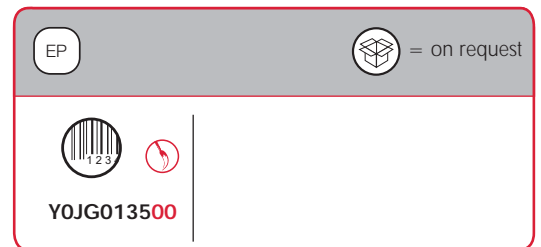
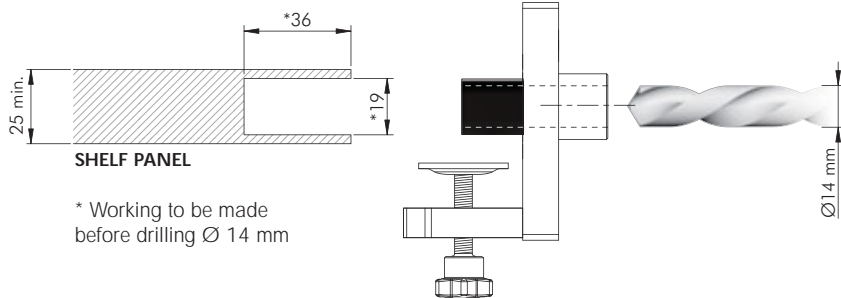
TEMPLATE FOR TRIADE MINI Part no. YOJG013500	TEMPLATE FOR TRIADE Part no. YOJG013600	TEMPLATE FOR TRIADE MAXI Part no. YOJG013700	TEMPLATE FOR TRIADE MINI AND TRIADE ALUMINIUM PROFILE Part no. YOJG013800	TEMPLATE FOR TRIADE MAXI ALUMINIUM PROFILE Part no. YOJG013900
 <p>Triade Mini</p> 	 <p>Triade</p> 	 <p>Triade Maxi</p> 	 <p>Aluminium profile for Triade Mini and Triade</p> 	 <p>Aluminium profile for Triade Maxi</p> 

TRIADE DRILLING JIG



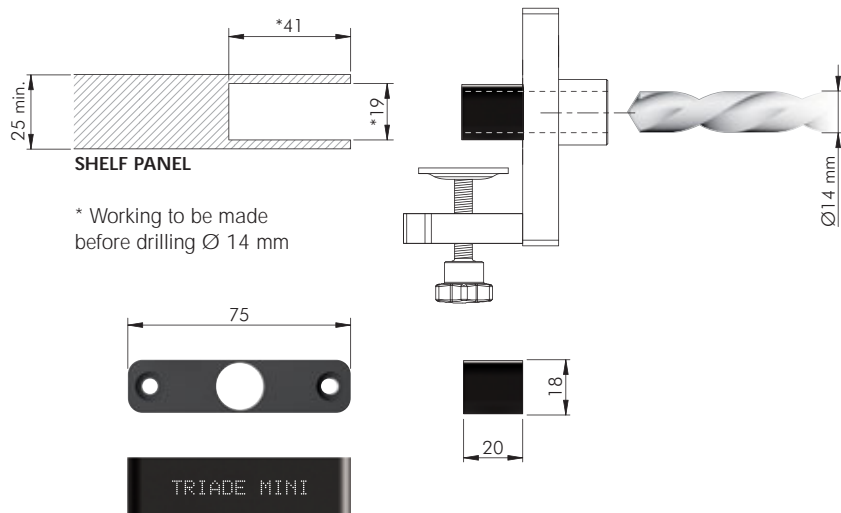
TRIADE DRILLING JIG TEMPLATES

TRIADE MINI DRILLING PLAN



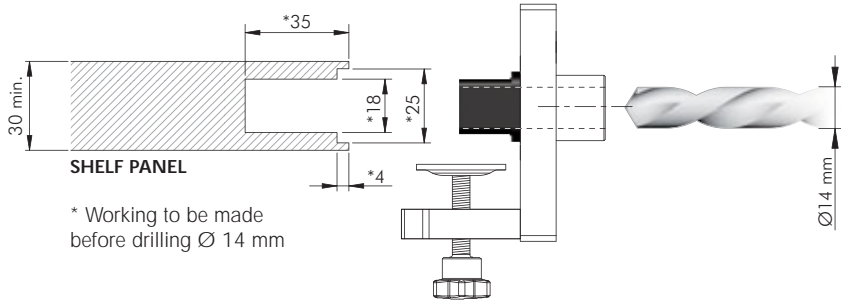
NOTE: The product code includes the fixing screws.


TRIADE MINI AND BRACKET DRILLING PLAN







TRIADE DRILLING PLAN



EP  = on request

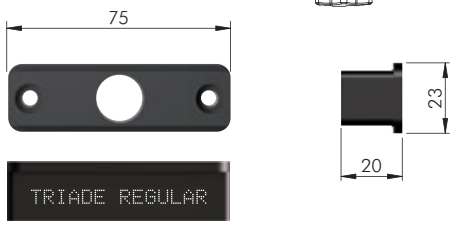
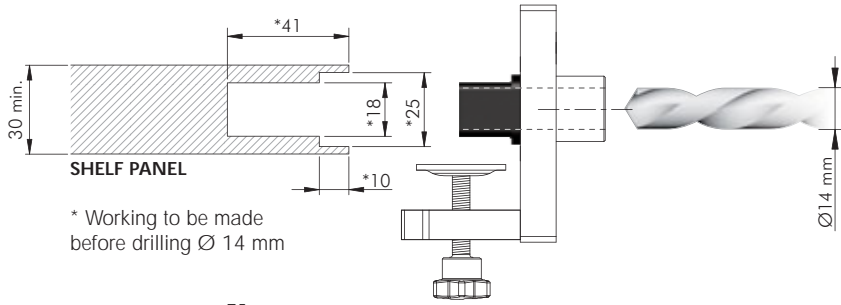
 

YOJG013600

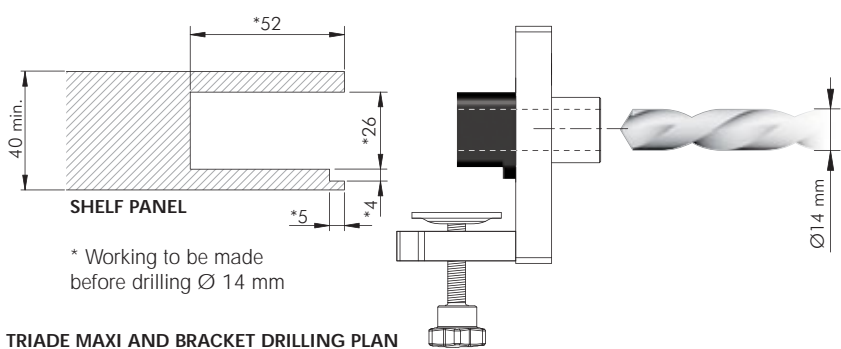
NOTE: The product code includes the fixing screws.






TRIADE AND BRACKET DRILLING PLAN



TRIADE MAXI DRILLING PLAN



EP  = on request

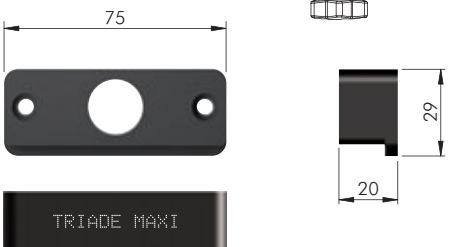
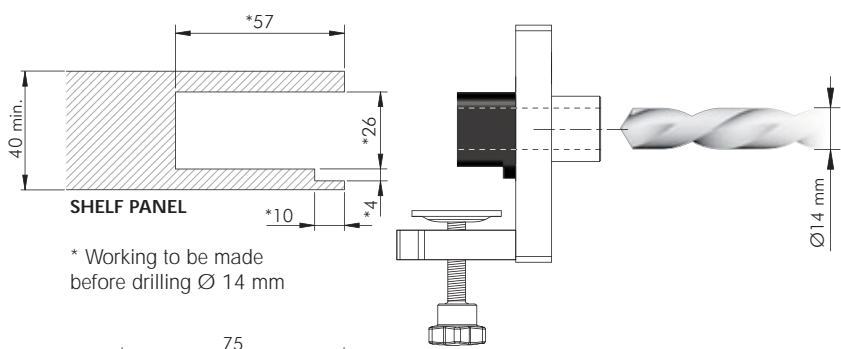
 

YOJG013700

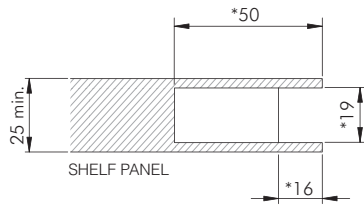
NOTE: The product code includes the fixing screws.



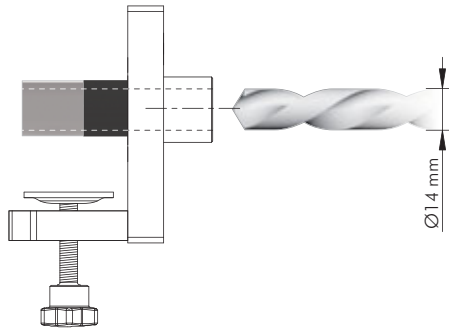
TRIADE MAXI AND BRACKET DRILLING PLAN



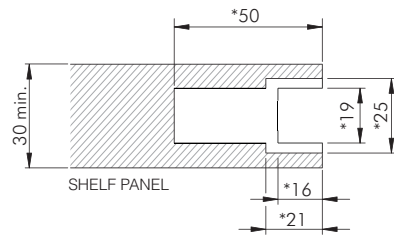
TRIADE MINI WITH ALU PROFILE DRILLING PLAN



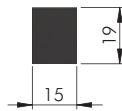
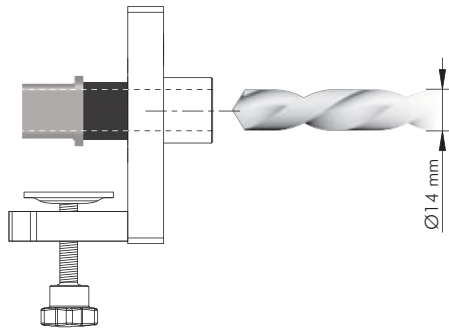
* Working to be made before drilling Ø 14 mm




TRIADE WITH ALU PROFILE DRILLING PLAN





* Working to be made before drilling Ø 14 mm

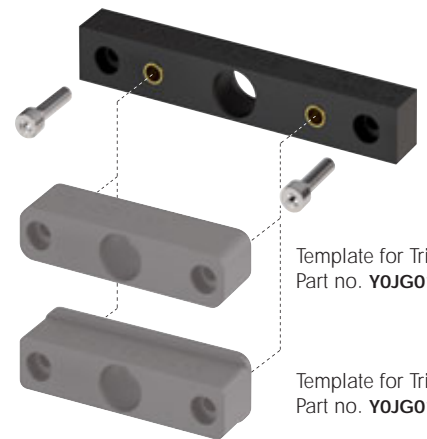


ALUMINIUM PROFILE TRIADE MINI
TRIAD E REGULAR

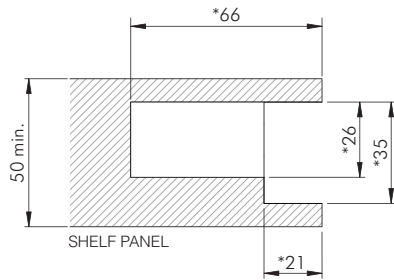
EP  = on request

 123 

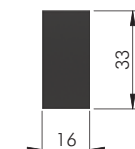
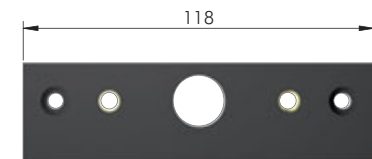
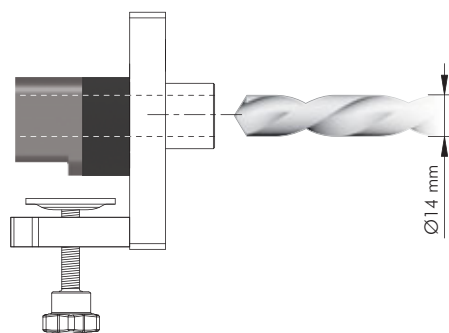
YOJG013800




TRIADE MAXI DRILLING PLAN





* Working to be made before drilling Ø 14 mm

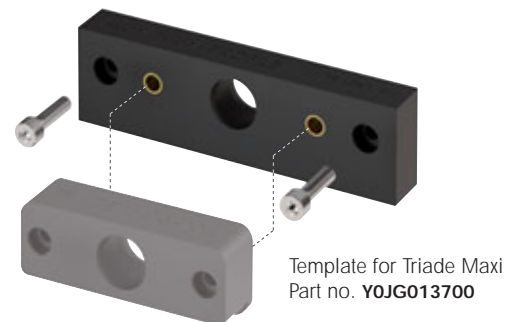


ALUMINIUM PROFILE TRIADE MAXI

EP  = on request

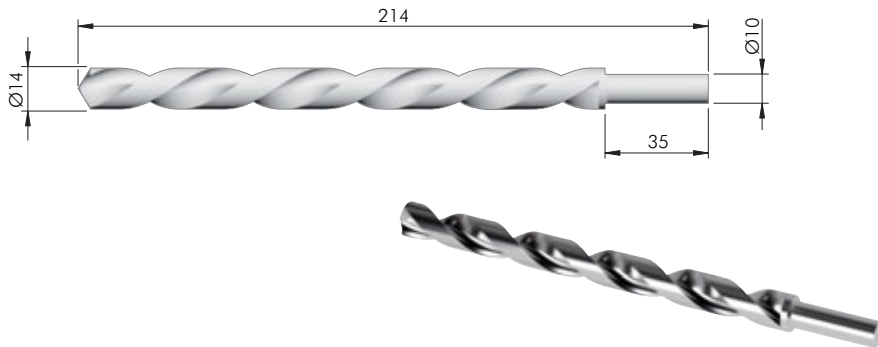
 123 


YOJG013900







DRILL BIT



HSS  = on request

YOJG054000


NOTE: For drilling jig we recommend to use precision-ground steel drill bit HSS-G.


COMPLETE KIT DRILLING JIG FOR TRIADE

CONTENT OF THE CASE:

- | | |
|------------|------------|
| Part no. | Part no. |
| YOJG0130RO | YOJG0133RO |
| YOJG013500 | YOJG055000 |
| YOJG013600 | YOJG054000 |
| YOJG013700 | YOJG054100 |
| YOJG013800 | |
| YOJG013900 | |



AL ST EP  = on request

YOJG0131RO

BASE KIT DRILLING JIG TRIADE AND DRILL BIT (only template for Triade Regular)

CONTENT OF THE CASE:

- | |
|------------|
| Part no. |
| YOJG0130RO |
| YOJG013600 |
| YOJG054000 |



AL ST EP  = on request

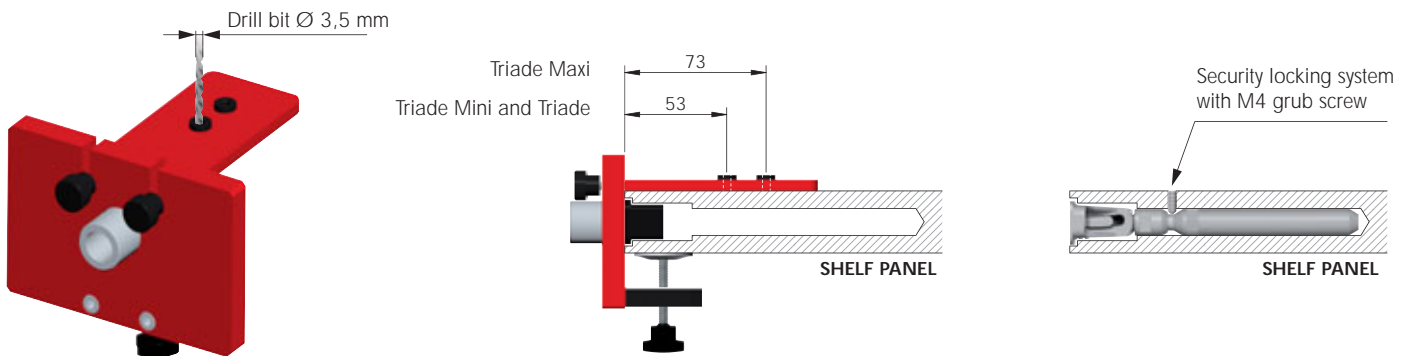
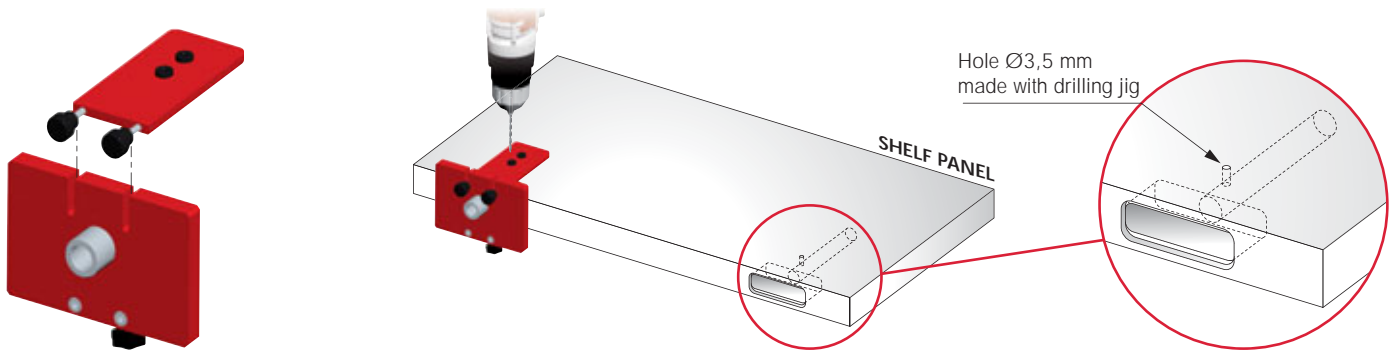
 

YOJG0132RO

TRIADE DRILLING JIG INSERT FOR SECURITY LOCKING



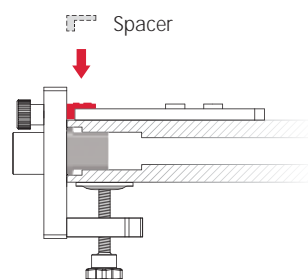
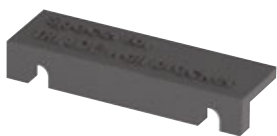
GENERAL SPECIFICATIONS



SPACERS AVAILABLE

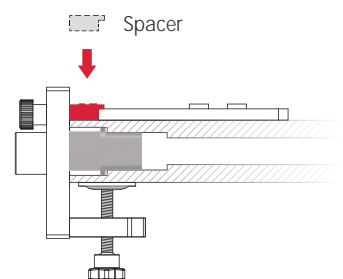
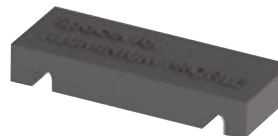
SPACER FOR TRIADE WALL BRACKETS

Part no. YOJG054900



SPACER FOR TRIADE ALUMINIUM PROFILES

Part no. YOJG055000



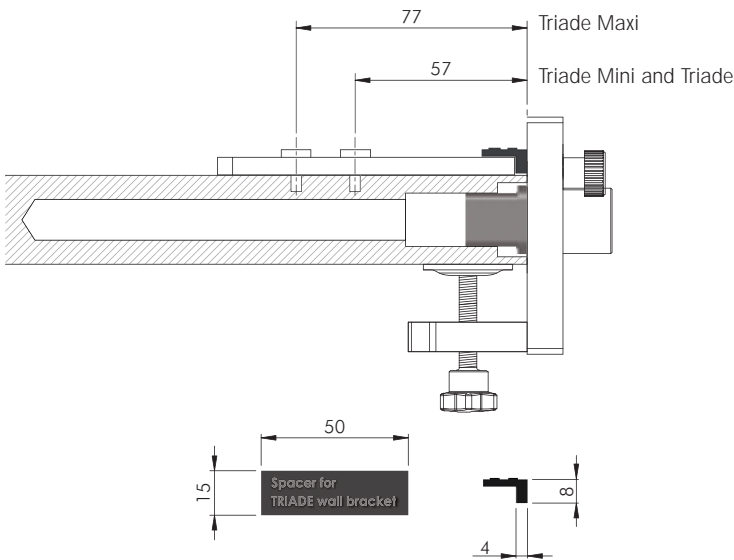


DRILLING JIG INSERT FOR SECURITY LOCKING

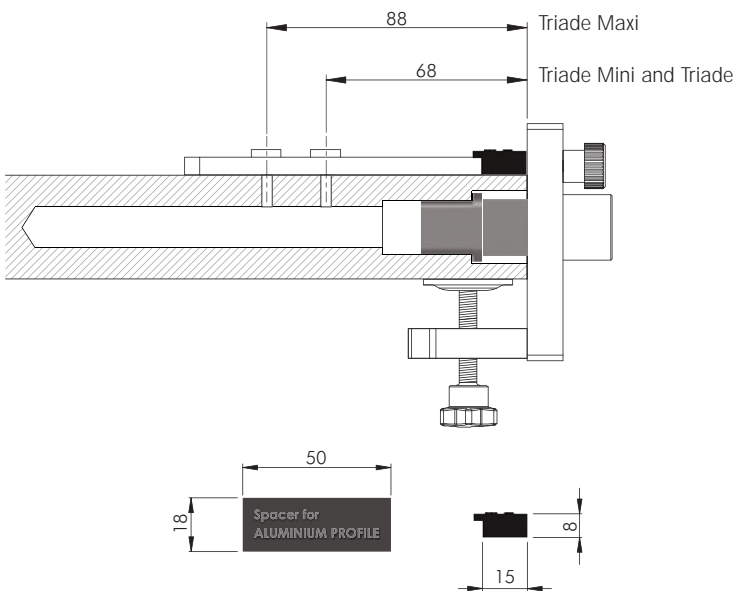


AL	ST	EP	= on request
123 YOJG0133RO			

SPACERS FOR SECURITY LOCKING



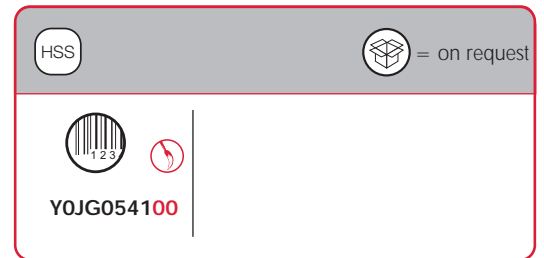
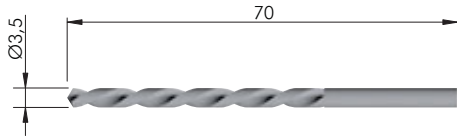
EP	= on request
123 YOJG054900	



EP	= on request
123 YOJG055000	



DRILL BIT



NOTE: For drilling jig we recommend to use precision-ground steel drill bit HSS-G.

COMPLETE SET DRILLING JIG FOR TRIADE

CONTENT OF THE CASE:

Part no.	Part no.
Y0JG0130RO	Y0JG0133RO
Y0JG013500	Y0JG055000
Y0JG013600	Y0JG054000
Y0JG013700	Y0JG054100
Y0JG013800	
Y0JG013900	

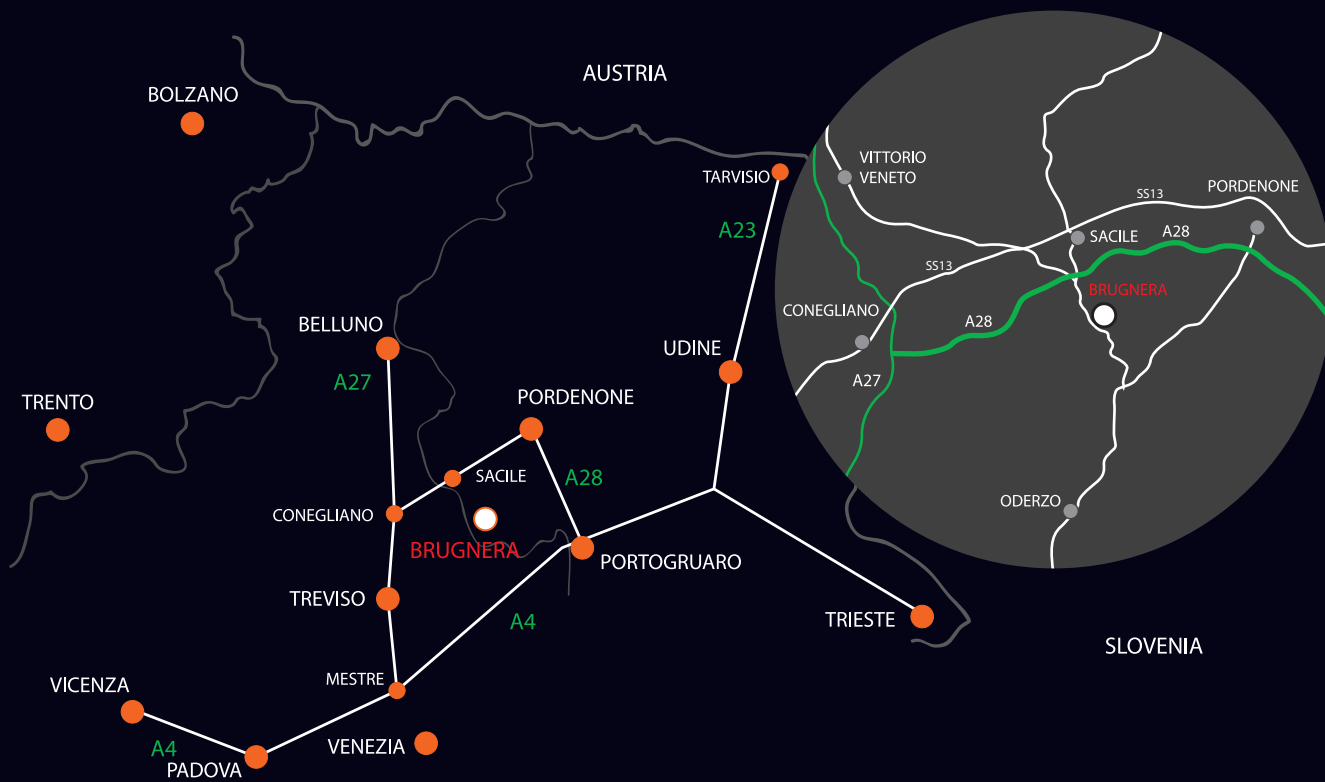


SET WITH DRILLING JIG TRIADE AND DRILL BIT Ø14 mm (only template for Triade Regular)

CONTENT OF THE CASE:

Part no.
Y0JG0130RO
Y0JG013600
Y0JG054000





www.italianaferramenta.com