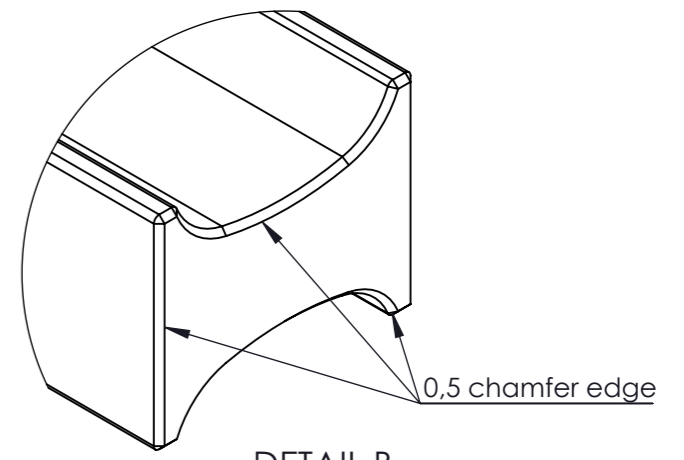
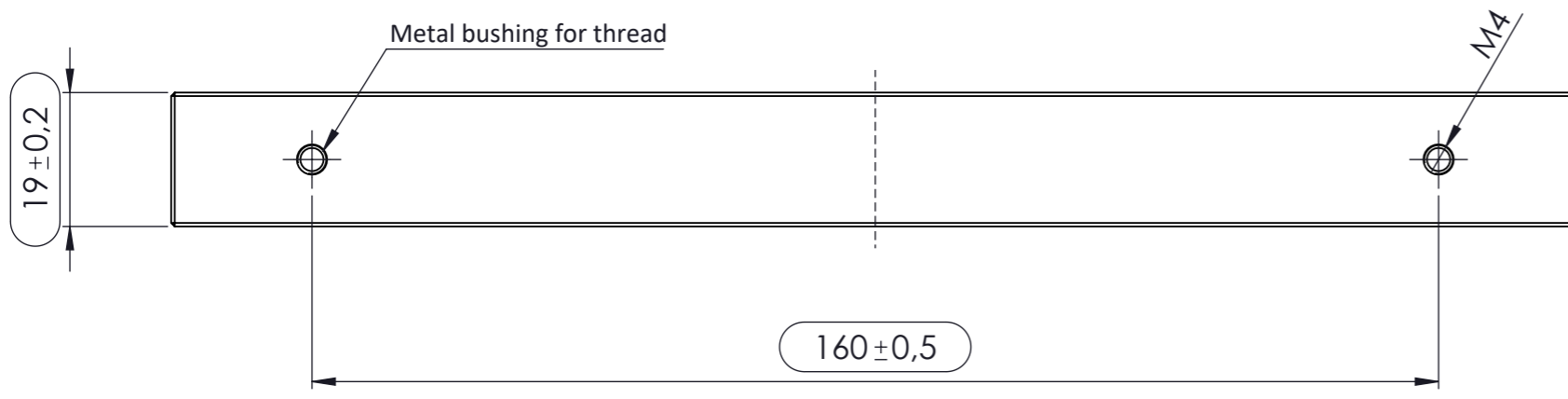


SECTION A-A

DETAIL B
SCALE 2 : 1



Length	CC 1	CC 2	CC 3
50	32		
200	160		
600	160	544	
1200	160	544	1088

Rev.:	Date:	Name:	Description:

Part name: TRACK	Projection: 	Sheet format: A3 Scale: 1:1	Tolerance unless otherwise specified DS/ISO 2768-1M Linear dimensions:														
Designer: Meneghello & Paoletti	Drawn by: MLR 15-11-2022	Sheet 1 of 1	<table border="1"> <tr> <td>0-3</td> <td>3-6</td> <td>6-30</td> <td>30-120</td> <td>120-400</td> <td>400-1000</td> <td>1000-2000</td> </tr> <tr> <td>±0,1</td> <td>±0,1</td> <td>±0,2</td> <td>±0,3</td> <td>±0,5</td> <td>±0,8</td> <td>±1,2</td> </tr> </table>	0-3	3-6	6-30	30-120	120-400	400-1000	1000-2000	±0,1	±0,1	±0,2	±0,3	±0,5	±0,8	±1,2
0-3	3-6	6-30	30-120	120-400	400-1000	1000-2000											
±0,1	±0,1	±0,2	±0,3	±0,5	±0,8	±1,2											
Part no.:	Material: Aluminium/Zamac	Weight:	<table border="1"> <tr> <td>Angle</td> <td>Radius</td> </tr> <tr> <td>±0,5°</td> <td>±5%</td> </tr> </table>	Angle	Radius	±0,5°	±5%										
Angle	Radius																
±0,5°	±5%																
<p align="center">furnipart®</p>			<p align="center">COPYRIGHT: THIS DRAWING MAY NOT BE COPIED OR REPRODUCED IN ANY WAY WITHOUT DIRECT PERMISSION FROM FURNIPART A/S</p>														