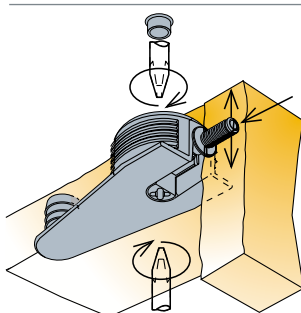


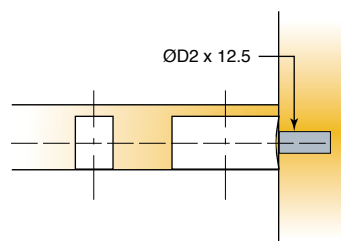


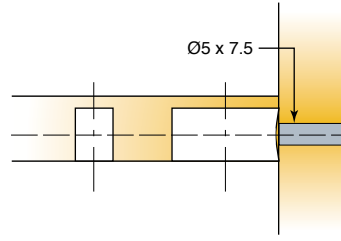



System 6

Quickfit-Expando

Expanding Dowels

- Available in Ø5mm, Ø8mm and Ø10mm for panel-to-panel, panel-to-hollow profile and back-to-back applications
- Suitable for applications with all Titus Ø20 and/or Ø25mm Expando-6 housings
- 'Klix' locking feature provides a strong, vibration proof connection
- Depth stop collar for accurate insertion

 Technical and mounting details		D2	Item number	Dark grey
		Drilling diameter for dowel thread		
Dowel	 D2= Ø5mm	5	06408 →	880
		8	06410 →	880
 D2= Ø8mm	 Ø2 x 12.5			
 5000 Pcs	Made of zinc, plastic			
Dowel Ø5 x 7.5 back-to-back applications	  Ø5 x 7.5		06479 →	880
 5000 Pcs	Made of zinc, plastic			