

FOR METAL CABINET

SWING DOOR CABINET LOCK (THREE-POINT LOCKING)

PERSONAL NO. **821-C143**

PUBLIC NO. **822-C143**

VS VERSION

UP TO **9,999** COMBINATIONS

VL LEFT



• **821-VL-C143**
• **822-VL-C143**

VR RIGHT

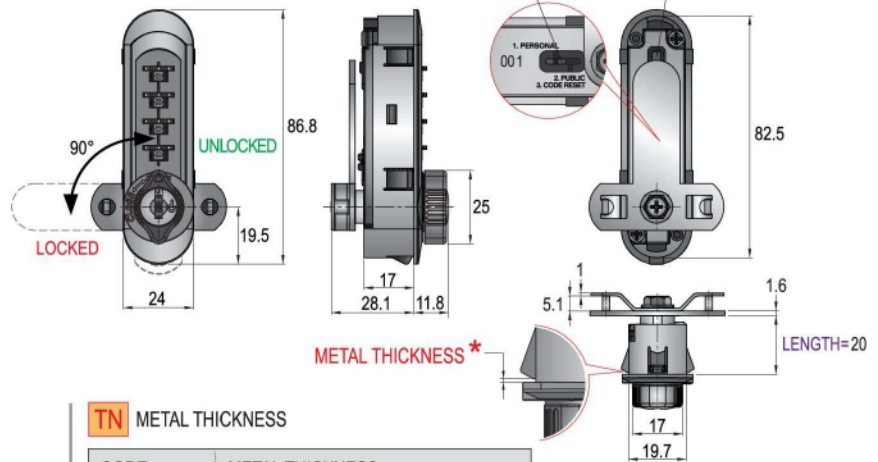


• **821-VR-C143**
• **822-VR-C143**



FUNCTION SWAP BUTTON

RECOVERY TOOL SOCKET



SPECIFICATIONS

- KEYLESS OPERATION.
- 2-IN-1 SYSTEM, ONE SMART LOCK THAT FEATURES PERSONAL & PUBLIC FUNCTIONS.
- CODE SETTING WITHOUT TOOLS.
- CODE FINDING FROM THE FRONT BY RECOVERY KEY.
- PLASTIC HOUSING.
- 200 DIFFERENT KEY CHANGES FOR SERVICE CYLINDERS.
- 10 GROUPS OF MASTER KEYS SYSTEM AVAILABLE.

A SET INCLUDES

- 1 LOCK
- 1 RECOVERY TOOL (FOR COMBI-PERSONAL ONLY)
- 1 RECOVERY KEY (FOR KEYED DIFFERENT ONLY, NOT SUPPLIED WITH KEYED ALIKE) /

FN FINISH

- 91 BLACK / ดำ

NOTE

* METAL THICKNESS AFTER PAINTING MUST BE 0.6-1mm.

KNOB OPTIONS

- R315

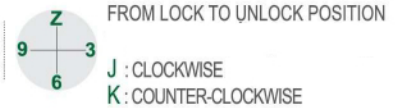


TN METAL THICKNESS

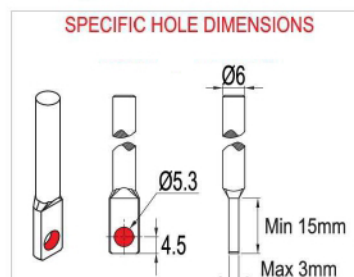
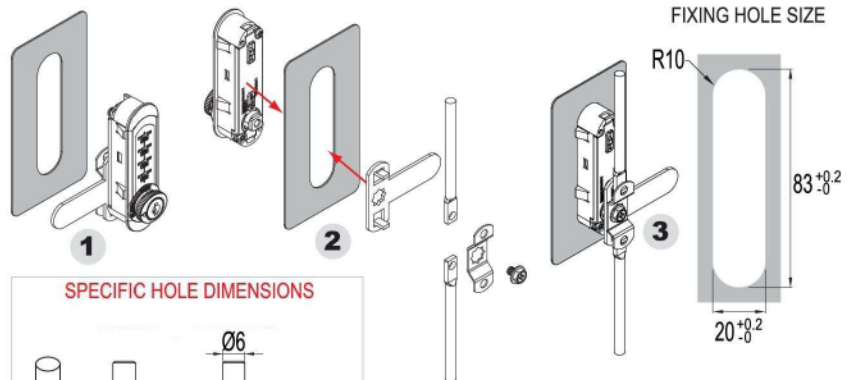
| CODE | METAL THICKNESS |
|----------|-----------------|
| A | 0.6-1mm |

TD TURNING DIRECTION

K3Z LEFT VERSION | **J9Z** RIGHT VERSION



FIXING DETAILS



ALL MEASUREMENTS : mm