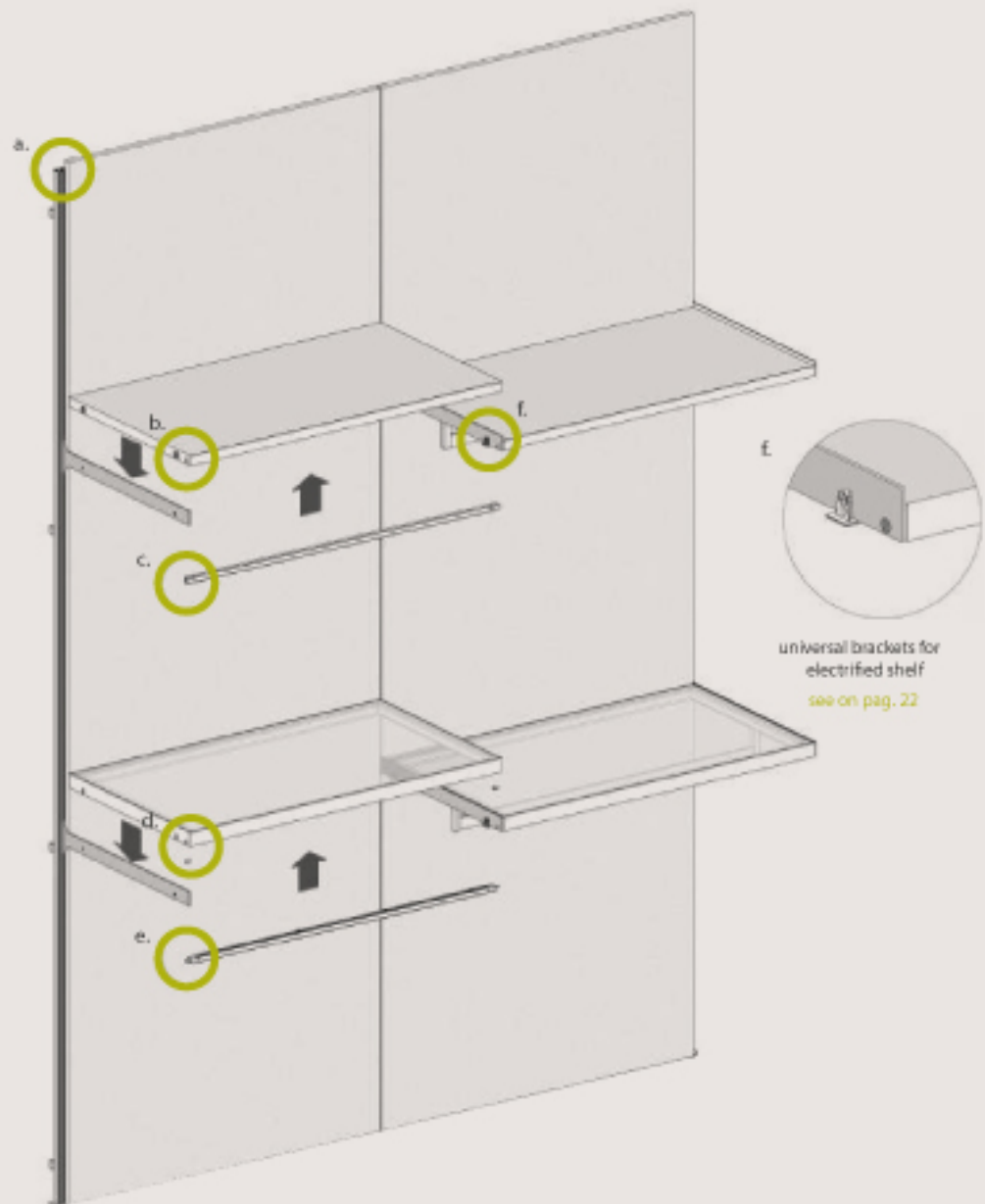
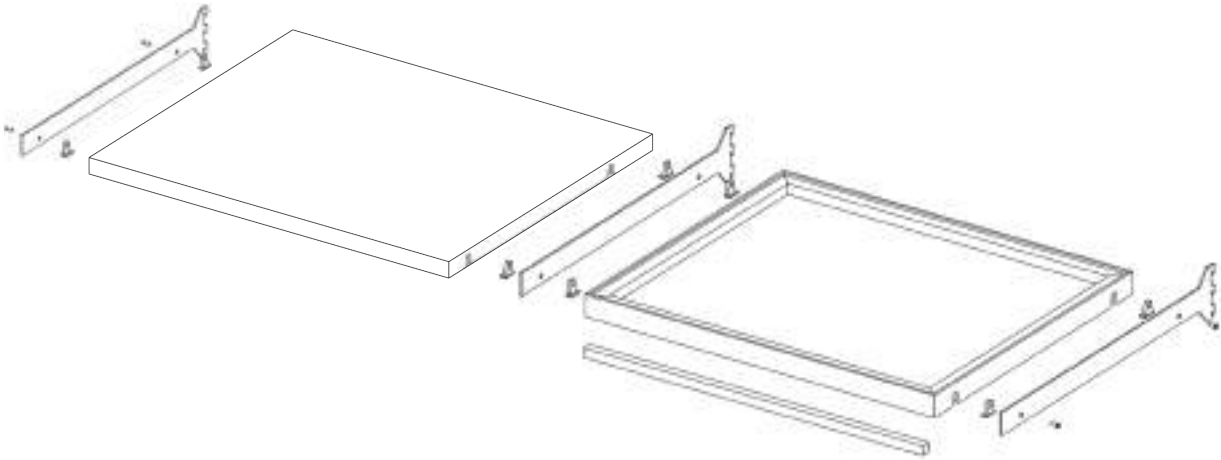




**■ KIT, FITTINGS AND LAMP FOR ELECTRIFICATION**

## COMPONENTS FOR SHELVES WITH LAMP

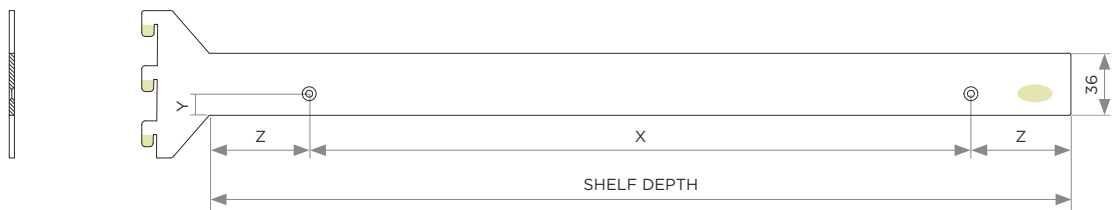


### STAINLESS STEEL UNIVERSAL BRACKET FOR ELECTRIFIED RACK PROFILE

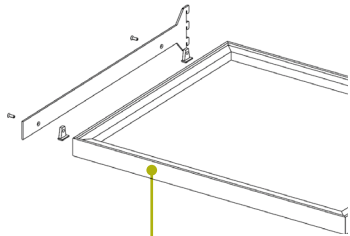
ITEM	FINISHING	SHELF DEPTH (mm)
CS001.011.002	Brown Metal Grey	500

#### SHELF DEPTH 500(mm)

X	Y	Z
384	12.5	58



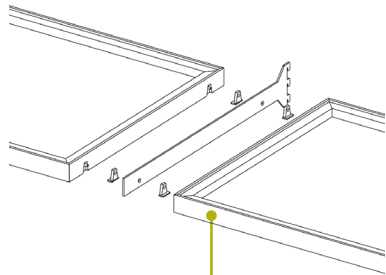
## SHELF SUPPORTS FOR ALUMINIUM SHELF



ALUMINIUM SHELF  
PROFILES  
pag. 166 - 173

### EXTERNAL FIXING

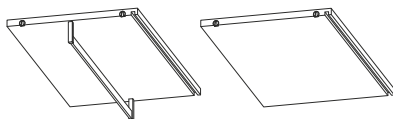
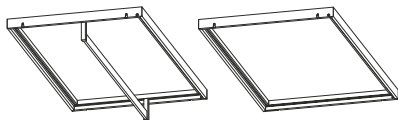
ITEM	SPECIFICATIONS	BOX
HP150.004.003	Kit composed by 2 shelf supports with thread. M4x8 screws included	50



ALUMINIUM SHELF  
PROFILES  
pag. 166 - 173

### CENTRAL FIXING

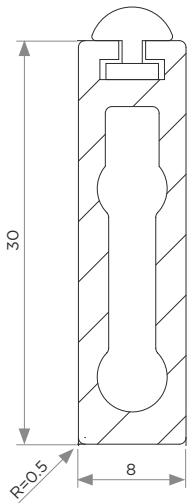
ITEM	SPECIFICATIONS	BOX
HP150.004.002	Kit composed by 2 shelf supports with thread and 2 shelf supports with passing hole. M4x12 screws included	50



## CLOTHES HANGER TUBE 30X8 AND SUPPORTS



### CLOTHES HANGER TUBE 30X8

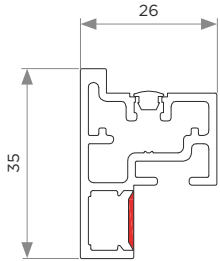


ITEM	FINISHING	LENGTH (mm)
WA061.003.009	Brown Metal Grey	3000



## ALUMINIUM SHELF PROFILES

### P10595 - ALUMINIUM SHELF CUTTABLE PROFILE

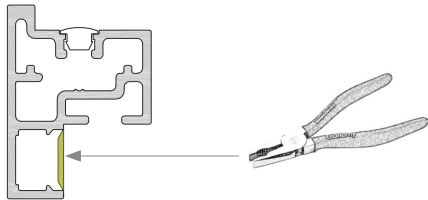


ITEM	FINISHING	LENGTH (mm)
HP150.001.008	Zirconio	3000
HP150.001.001	Brown Metal Grey	3000
HP150.001.010	Champagne G870	3000

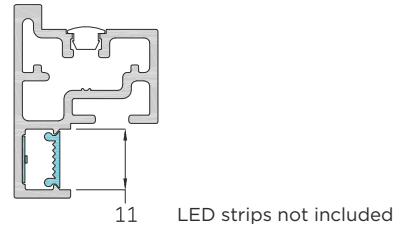


**GLASS DIMENSION:**  
 SHELF DEPTH (L1) MINUS 11MM  
 SHELF WIDTH (L) MINUS 11MM  
 GLASS THICKNESS 4MM

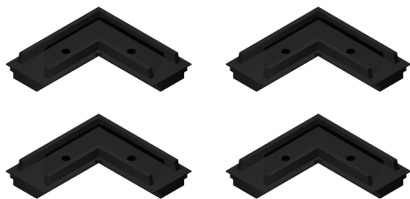
**\_remove the aluminium part from the front profile**



**\_install the LED strip**

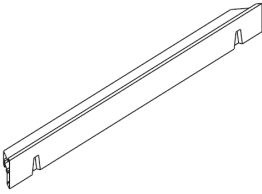


### CORNER CONNECTORS FOR ALUMINIUM SHELF PROFILE



ITEM	SPECIFICATIONS
HP150.003.004	Kit composed by 4 corner connectors

## READY-MADE ALUMINIUM SIDE PROFILE FOR ALUMINIUM SHELF



### COMPATIBLE WITH UNIVERSAL SHELF BRACKETS FOR WALK-IN CLOSET

ITEM	FINISHING	MEASURE (mm)
HP150.010.002	Brown Metal Grey	500

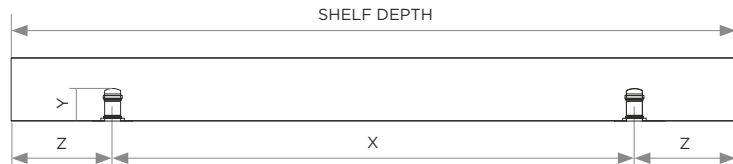
LED strips not included.

#### SHELF DEPTH 500(mm)

X	Y	Z
384	12.5	58

#### SHELF DEPTH 400(mm)

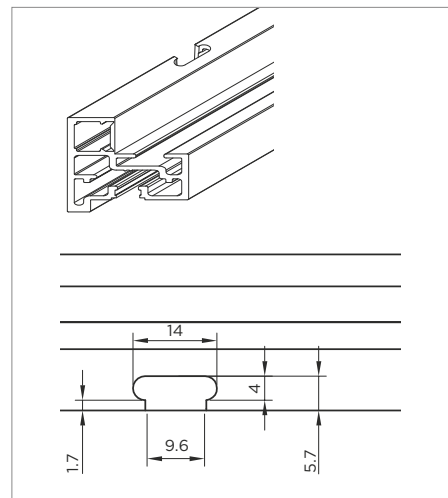
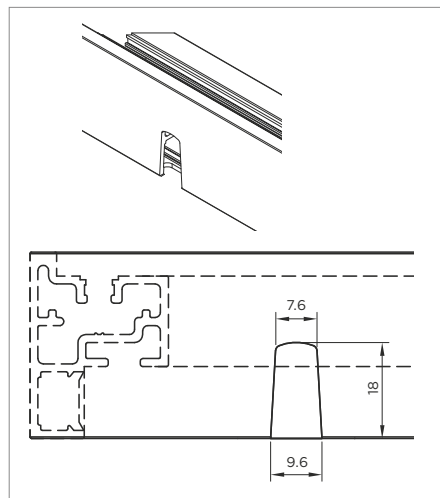
X	Y	Z
288	12.5	56



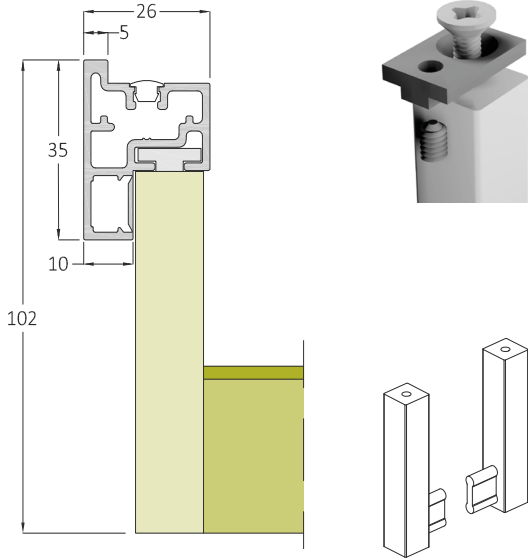
## SHELF SUPPORTS FOR ALUMINIUM SHELF



ITEM	SPECIFICATIONS
HP150.004.004	Kit composed by 4 shelf supports. M4x8 screws included

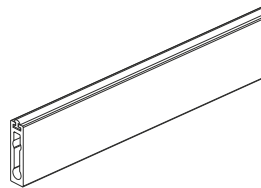


SET OF CLOTHES HANGER TUBE CONNECTORS FOR ALUMINIUM SHELF



ITEM	SPECIFICATIONS
HP150.003.006	Kit composed by 2 plates, 2 conic screws and 2 M5x10 screws to fix clothes hanger tube to the aluminium shelf

Side Support Tube Lounge	FINISHING
WA061.003.010	Brown Metal Grey



Tube Lounge	FINISHING	LENGTH (mm)
WA061.003.009	Brown Metal Grey	3000