

TRUE SCALE
 VERIFY DIMENSION TO SCALE PRIOR TO ANY MACHINING

SECTION A-A
 SCALE 1 : 1

DIMENSIONS ARE IN INCHES
 TOLERANCES:
 FRACTIONAL: $\pm 1/32$ "
 ANGULAR: $\pm 3^\circ$
 TWO PLACE DECIMAL: $\pm .01$
 THREE PLACE DECIMAL: $\pm .005$
 REFERENCE DIMENSIONS: (.XXX)

	NAME	DATE
DRAWN	TLT	4/5/2022
CHECKED	TP	4/6/22
ENG APPR.	JRL	4/6/22
MFG APPR.		

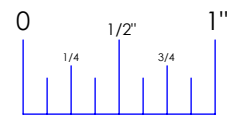
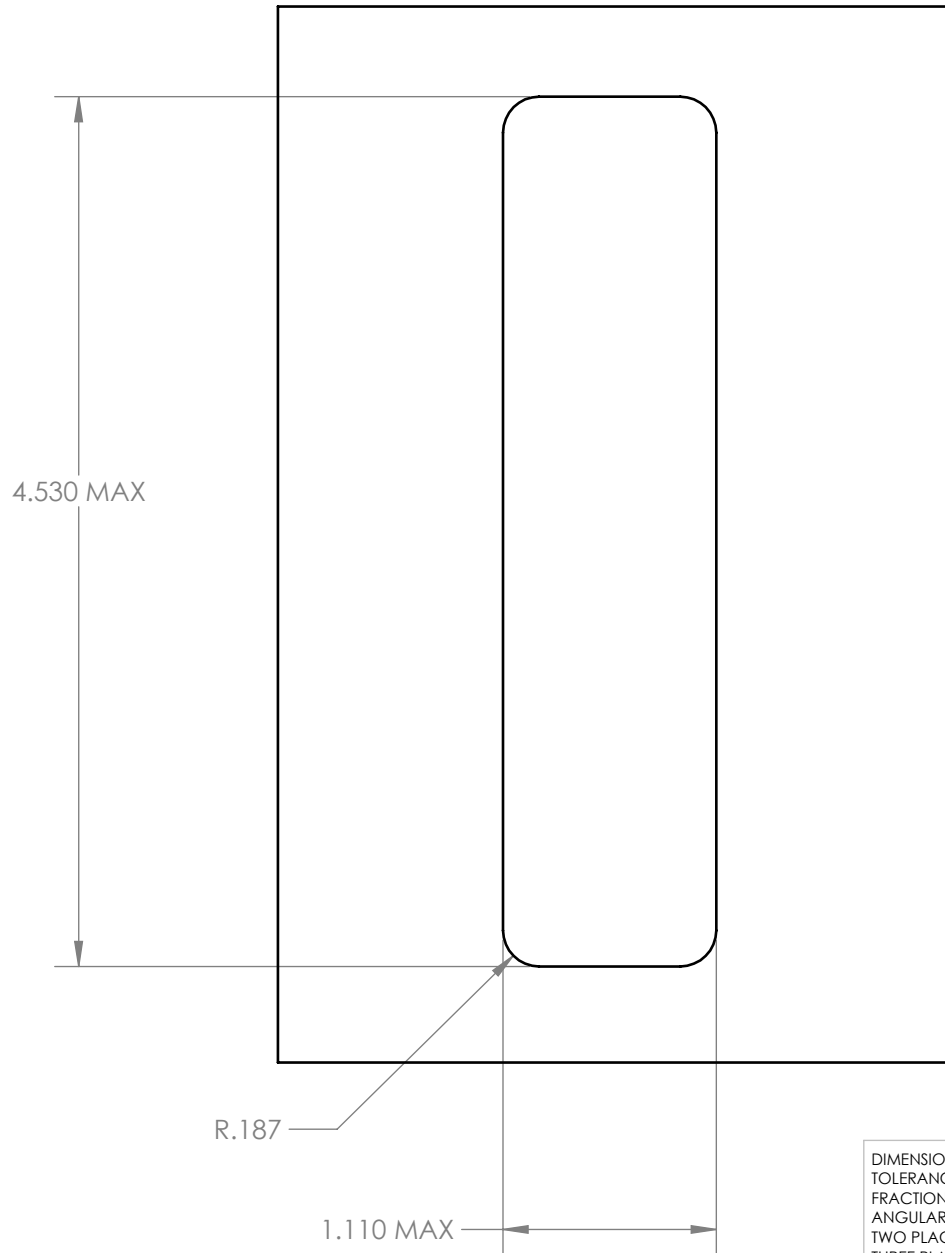
DATE 4/5/2022 DRAWING# TEMPLET

DESCRIPTION PEARL TEMPLET

MATERIAL N/A
 FINISH
 DO NOT SCALE DRAWING

Q.A.
 COMMENTS:

REV.	ECO	DESCRIPTION	DATE	BY
REVISIONS				



TRUE SCALE

Δ VERIFY DIMENSION TO SCALE PRIOR TO ANY MACHINING

- COMPOSITE MATERIALS:
- SHEET METAL
 - ANY MATERIAL <1/2"

DIMENSIONS ARE IN INCHES		NAME	DATE	DATE	DRAWING#
TOLERANCES:				4/5/2022	TEMPLET
FRACTIONAL: ±1/32"		DRAWN			
ANGULAR: ± 3°		CHECKED	TP	4/6/22	
TWO PLACE DECIMAL: ±.01		ENG APPR.	JRL	4/6/22	DESCRIPTION
THREE PLACE DECIMAL: ±.005		MFG APPR.			PEARL TEMPLET
REFERENCE DIMENSIONS: (.XXX)		Q.A.			
MATERIAL	N/A	COMMENTS:			
FINISH					
DO NOT SCALE DRAWING					