





Why...

It offers a practical way to design a "European handle free" kitchen

- Innovative design
- Easier to clean
- Safety feature: no handles exceeding the doors
- Lower cost than traditional handles

Pourquoi...

Il offre un moyen pratique de concevoir une cuisine "Européenne sans poignée"

- *Conception innovatrice*
- *Plus facile à nettoyer*
- *Caractéristique sécurité: aucune poignée dépassant les portes*
- *Coûts inférieur aux poignées traditionnelles*

Por qué...

Oferece un método práctico para diseñar una cocina a la Europea sin manijas o agarraderas.

- Diseño innovador
- Más fácil de limpiar
- Elemento de seguridad: no existen manijas que sobresalgan de las puertas
- Cuesta menos que las manijas tradicionales





NEW QUICK-FIXING SUPPORT GOLA PROFILE

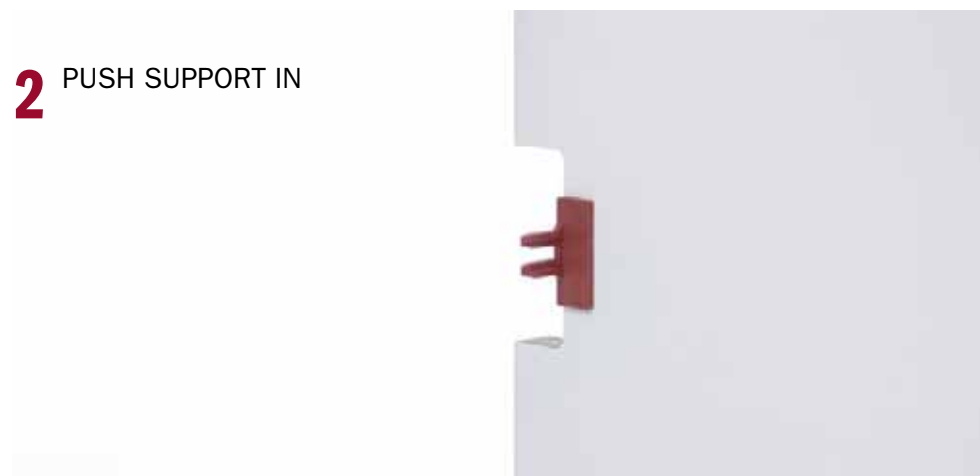
40



1 DOWELED SUPPORT



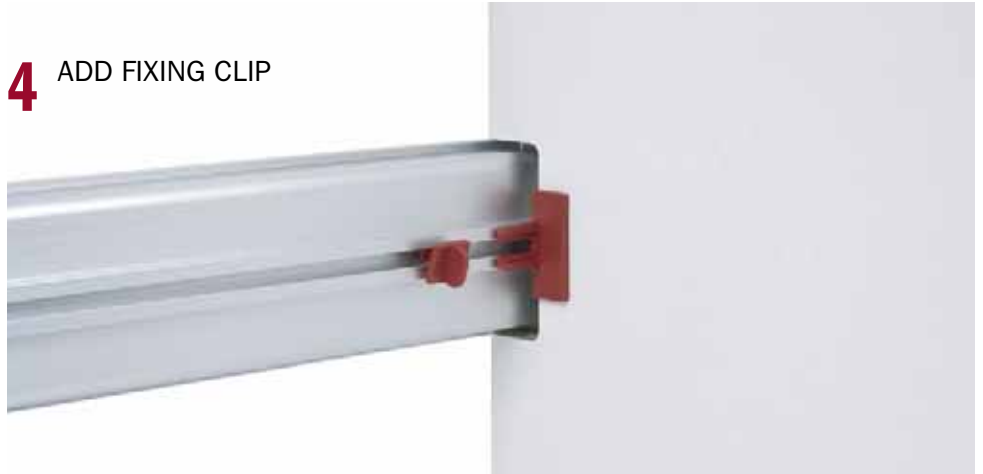
2 PUSH SUPPORT IN



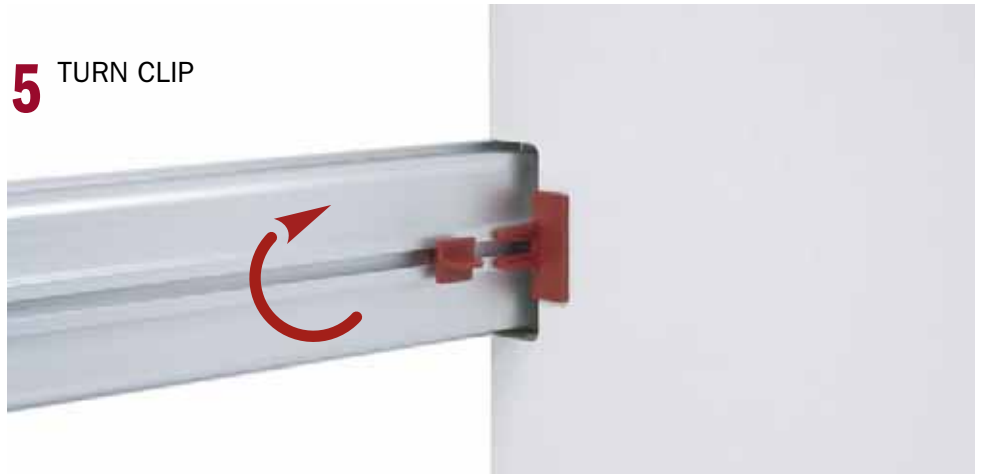
3 ADD "GOLA" PROFILE



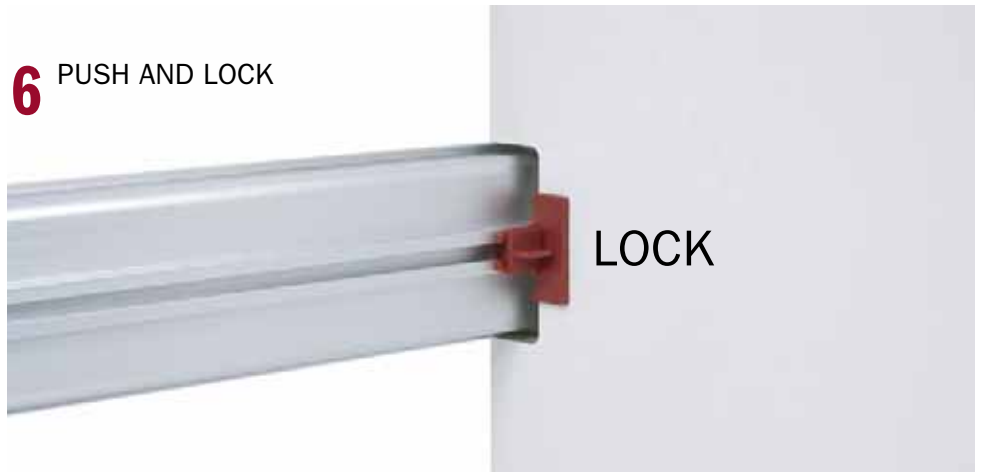
4 ADD FIXING CLIP



5 TURN CLIP



6 PUSH AND LOCK



8006

Horizontal L shape
"GOLA" PROFILES
for application
under the countertop

Technical Specifications...

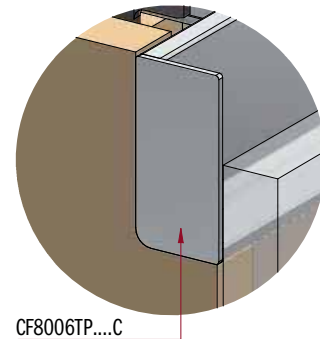
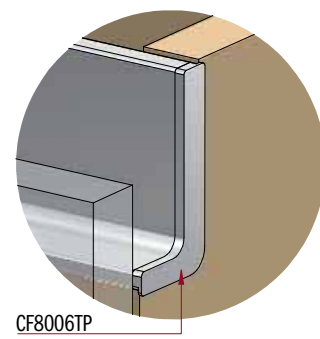
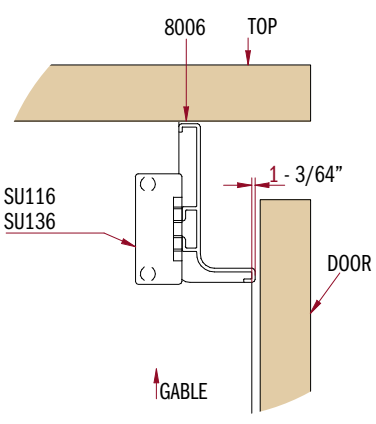
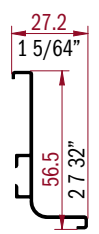
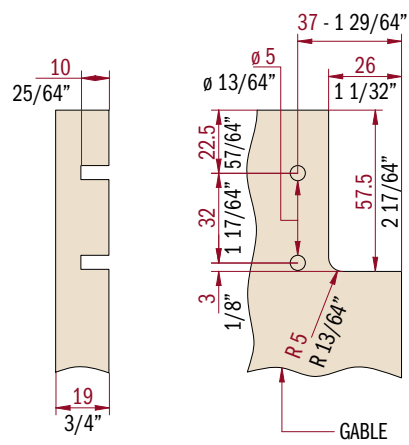
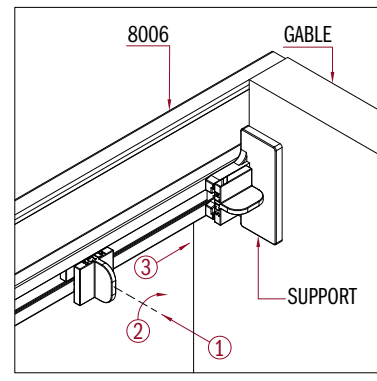
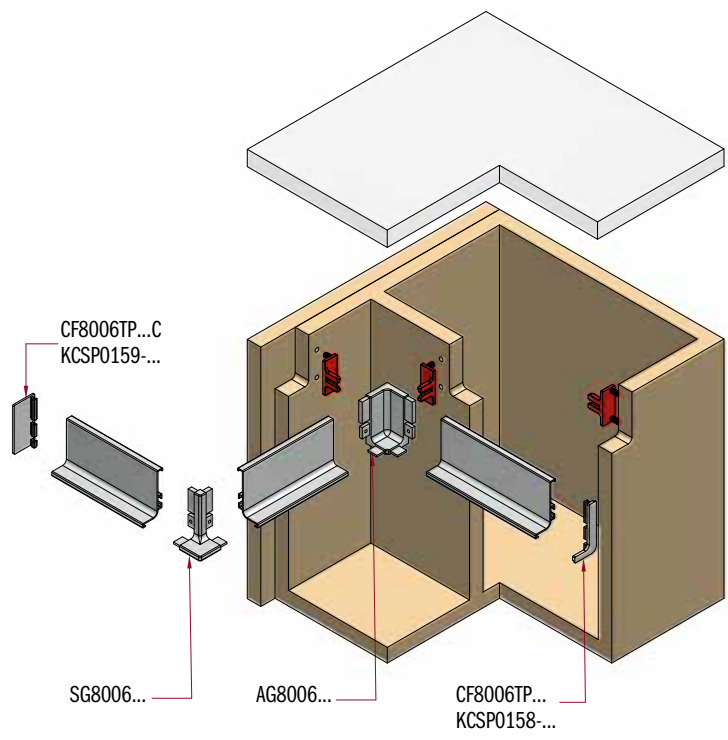
- Material: Aluminum
- Performance: Aluminum extrusion with high quality anodized finishes
- Environment: 100% recyclable materials

Spécifications Techniques...

- Matériel: Aluminium
- Performance: Extrusion d'aluminium avec finitions anodisées de haute qualité
- Environnement: Matériaux 100% recyclables

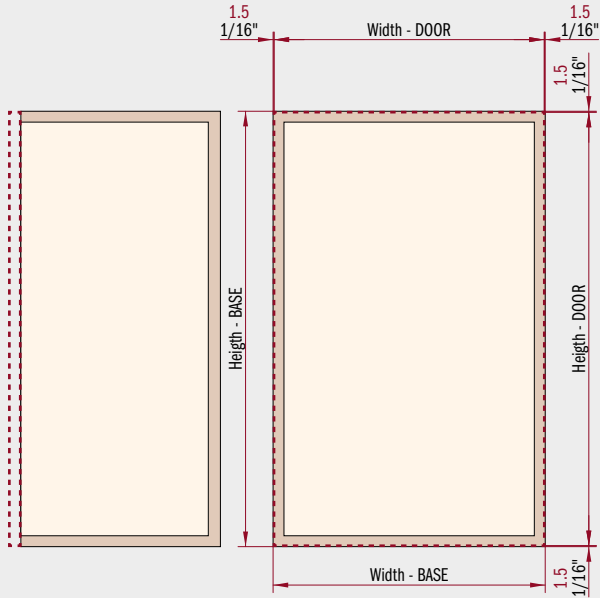
Especificaciones Técnicas...

- Material: Aluminio
- Rendimiento: Extrusión de aluminio con acabados anodizado de alta calidad
- Medio Ambiente: Materiales 100% reciclables



How to calculate the door's dimensions

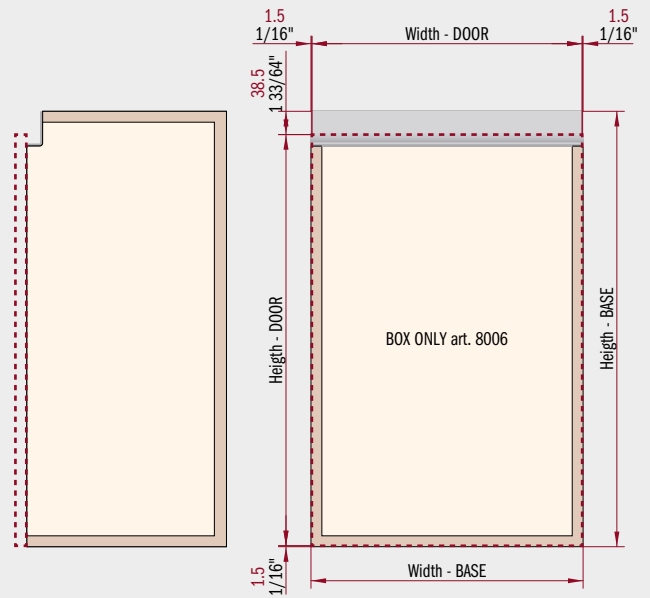
regular box



DOOR CALCULATION :

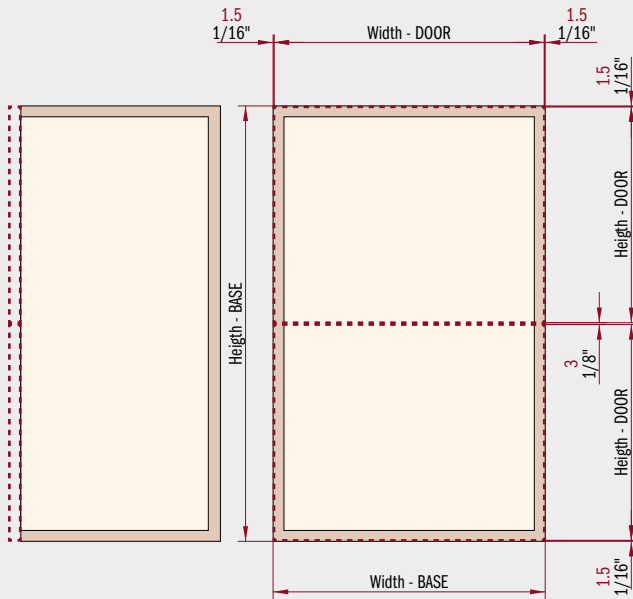
H door = Height base - 3mm , H door = Height base - 1/8"
 W door = Width base - 3mm , W door = Width base - 1/8"

box with "GOLA PROFILE"



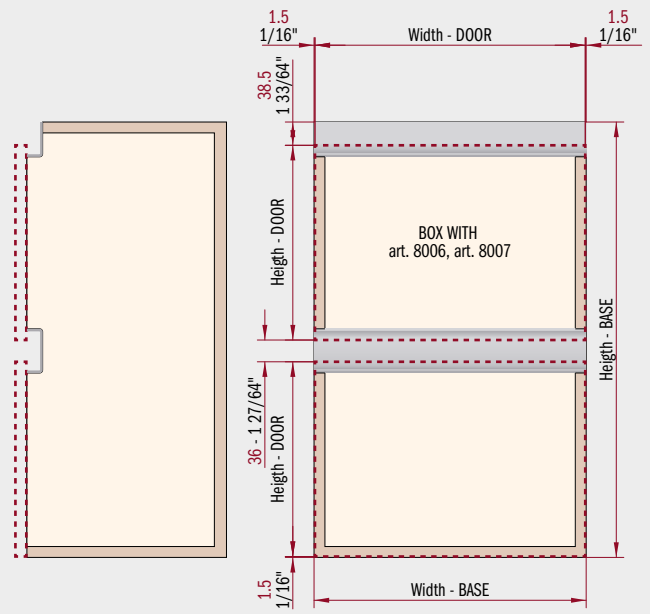
DOOR CALCULATION :

H door = Height base - 40mm , H door = Height base - 1 37/64"
 W door = Width base - 3mm , W door = Width base - 1/8"



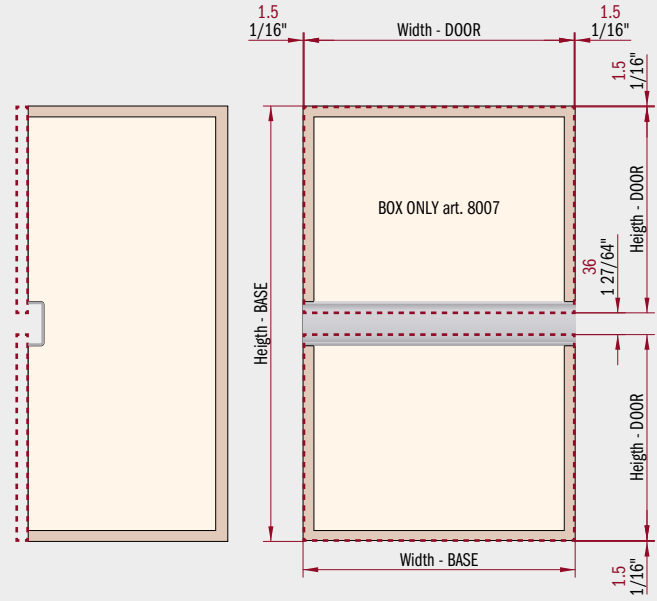
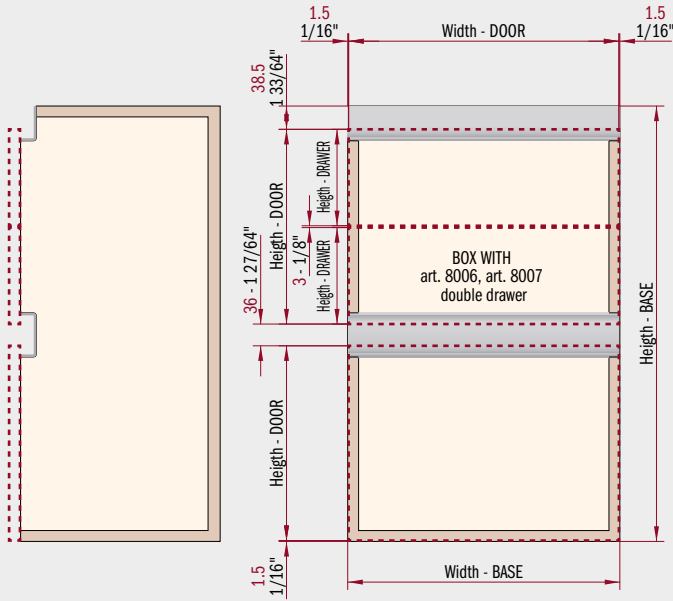
DOOR CALCULATION :

H door = (Height base - 6mm) / 2 , H door = (Height base - 5/64") / 2
 W door = Width base - 3mm , W door = Width base - 1/8"



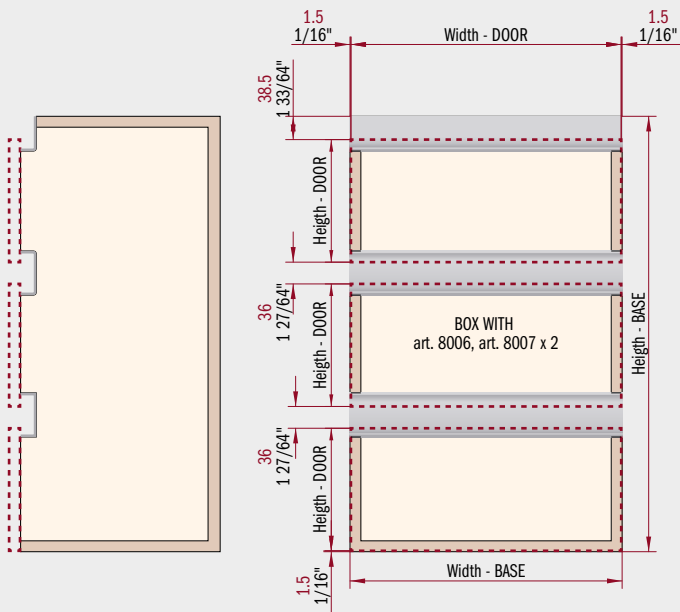
DOOR CALCULATION :

H door = (Height base - 76mm) / 2 , H door = (Height base - 2 63/64") / 2
 W door = Width base - 3mm , W door = Width base - 1/8"



DOOR and DRAWER CALCULATION :
 H door = (Heigth base - 76mm) / 2 , H door = (Heigth base - 2 63/64") / 2
 H drawer = (H door - 3) / 2 , H drawer = (H door - 1/8") / 2
 W door/drawer = Width base - 3mm , W door/drawer = Width base - 1/8"

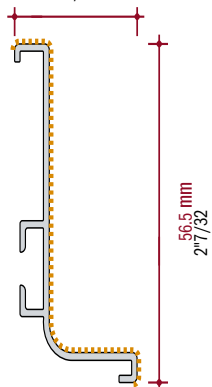
DOOR CALCULATION :
 H door = (Heigth base - 39mm) / 2 , H door = (Heigth base - 1 17/32") / 2
 W door = Width base - 3mm , W door = Width base - 1/8"



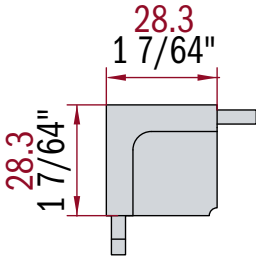
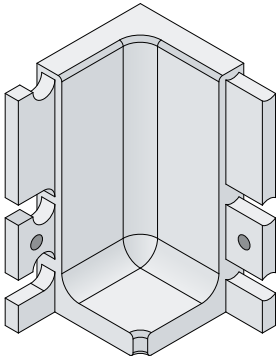
DOOR CALCULATION :
 H door = (Heigth base - 112mm) / 3 , H door = (Heigth base - 4 13/32") / 3
 W door = Width base - 3mm , W door = Width base - 1/8"

8006 Perfil Gola L

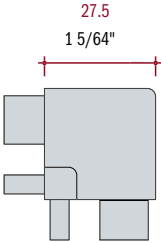
27.2 mm
1" 5/64



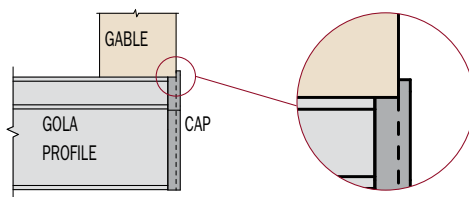
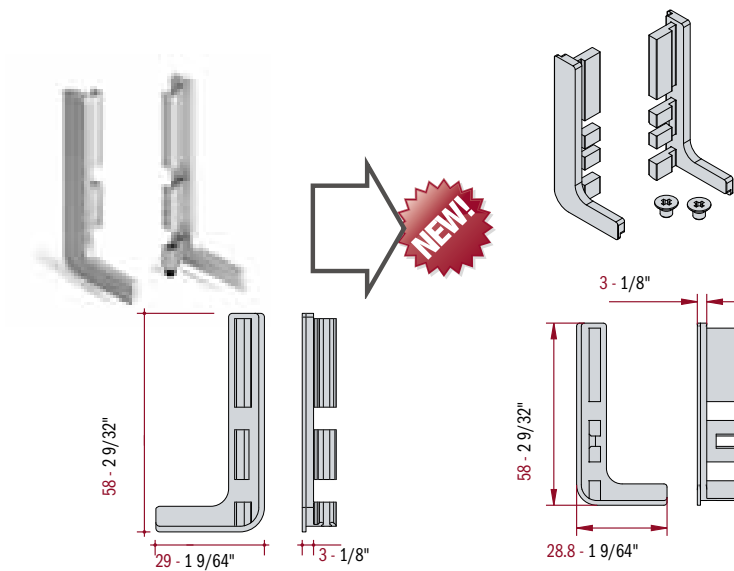
AG8006- Ángulo interno



SG8006 - Ángulo externo



CF8006TP - Juego de tapas terminales para perfil GOLA tipo L



...

SU116- Soportes para GOLA L Y C versión atornillar

