

# Planet X3

22 x 30 mm | 5–12 mm | 2–6 mm | 7A/9A | 52 dB



## Overview of Advantages

- Drop-down seal for exterior doors made of wood, metal or PVC
- Driving rain proof (7A/9A, ift certified), no drainage channel required
- 3 sealing movements simultaneously: downwards, to the left and to the right, individually adjustable
- Drop height 5 – 12 mm, side lift 2 – 6 mm, easily adjustable
- Sound absorption level up to 52 dB with optimal sealing
- High quality silicone lip
- Minimum door thickness 68 mm
- Can be shortened to the next smaller stock length with Planet X3 shortening set
- 2-year warranty

## Incl. accessories

Planet assembly set X3 for wooden doors with 2 mounting brackets (stainless steel), 4 screws, version Planet X3 shortenable: incl. Planet shortening set X3 with quick clamping system

## Tender specification

Automatic door drop-down seal Planet X3 RD | 52 dB, against driving rain (7A/9A, ift certified) for sound and smoke-shielding protection doors, release on one side on the hinge side, 3 sealing movements: Seal can be adjusted to the left, downwards and to the right, seal height 5 – 12 mm, side lift adjustment 2 – 6 mm, flush or 2 mm deeper with lip protection for grooving. Silicone lip, side attachment. Profile made of aluminium 22 x 30 mm.

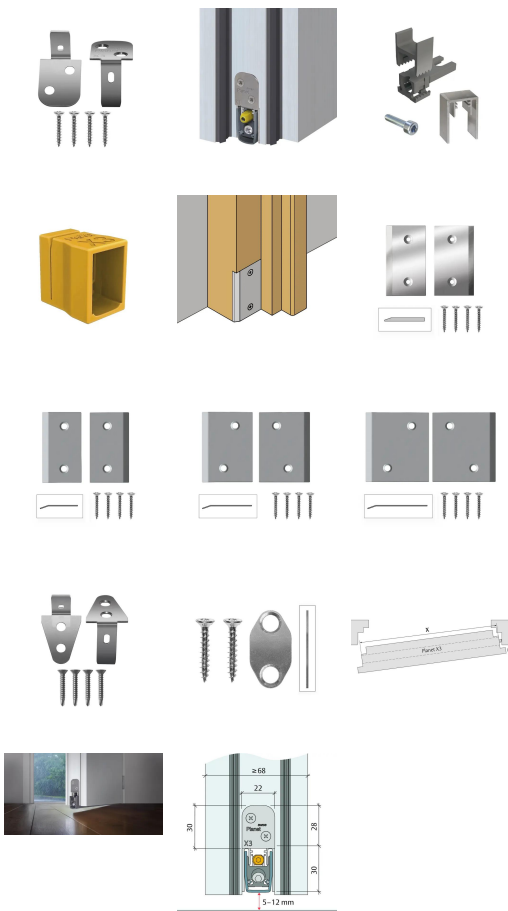
## Technical data

Groove size	22.5 mm wide and 30 to 32 mm deep
Seal profile	high-quality silicone
Sound absorption value	up to 52 dB at ground air 7 mm
Frame protector plate	Planet corner plate set X3 recommended (optional)
Fastening	with stainless steel mounting brackets and screws on the side
Can be shortened	max. 125 mm
Release	on one side, hinge side
Drop height adjustment	on the release pin with 3 mm Allen key, side lift adjustment (2 – 6 mm) on the front side with 4 mm Allen key
Max. drop height	5 – 12 mm
Profile size	22 x 30 mm
Profile material	Aluminium
Special features	Driving rain proof 7A/9A, 300 Pa, classification according to DIN EN 12208 Test method according to DIN EN 1027

	Length	can be shortened to
278.210	835 mm	>710 mm
278.211	960 mm	>835 mm
278.212	1085 mm	>960 mm
278.213	1210 mm	>1085 mm
278.214	1335 mm	>1210 mm
278.215	1460 mm	>1335 mm

## Accessories/Individual parts

	Product
278.216	Corner plate set X3, sheet metal (stainless steel) Type 1 Corner plate set X3, sheet metal (stainless steel) Type 1, 29 x 55 mm, 1 mm thick
278.217	Planet shortening aid X3 Planet shortening aid X3, plastic, yellow



## Features / versions (depending on options)



## Floor surfaces



## Possible door types (depending on options)

