

DOOR DAMPER LDD-V



- Damper body is completely hidden when the door is closed.
- Damper and door pull-in functions work just before the door fully closes, preventing the door from slamming shut.
- Door can be opened more easily as compared with door closer.
- Damper force can be switched between two levels.
- Counter plate is 3-way adjustable.
- Can be used with the following hinges.
 - 3-way adjustable concealed hinge HES3D **1**
 - ※ Can not be used with HES3D-90 **2**
 - Spring hinge ST150-6314-05 **3**
 - Aluminium spring lift-off hinge PM120 **4**
 - Spring hinge SA **5**
- Surface mount door damper LDD-S **6** also available.

LDD-V-R (right-handed) shown. LDD-V-L (left-handed) is symmetrical.

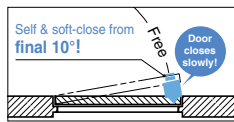


Door damper is completely hidden when the door is closed. (Picture: right-handed)

[Parts Included]

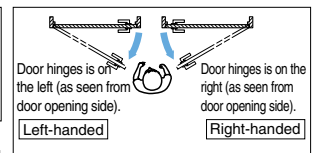
- Binding head tapping screw 4 x 45
- Binding head tapping screw 3.5 x 20

[Door Movement]

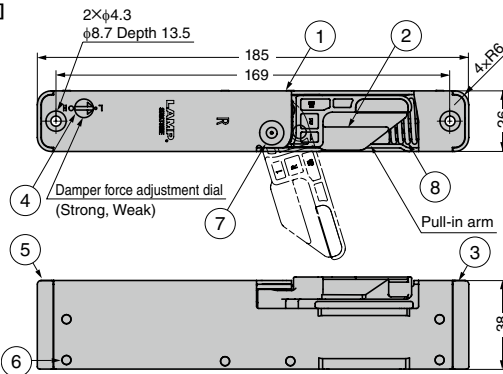


LDD-V-R (right-handed) shown. LDD-V-L (left-handed) is symmetrical.

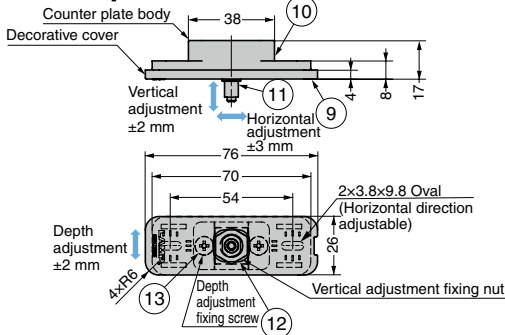
[Door Hinge Side]



[Body]



[Counter Plate]



※Refer to **7** for the cut out dimensions, installation and safety cautions.

No.	Part Name	Material	Finish / Colour
①	Body Case	Steel (SPCC)	Clear Zinc Chromate
②	Arm	POM	Grey
③	Spring Base		
④	Damper Force Adjustment Shaft		
⑤	Damper Base	Steel (SWCH)	Clear Zinc Chromate
⑥	Countersunk Hollow Pin		
⑦	Shoulder Shaft	Steel (SUM)	Nickel
⑧	Spring	Steel SWP	Clear Zinc Chromate
⑨	Counter Plate Cover	POM	Grey
⑩	Counter Plate Case		
⑪	Counter Plate Shaft	Steel (SUM)	Nickel
⑫	Vertical Adjustment Screw	Steel (SWRCH)	Clear Zinc Chromate
⑬	Depth Adjustment Screw	Steel (SWCH)	

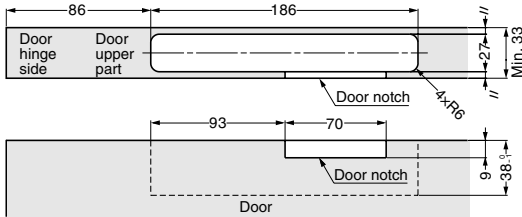


RHS	CAD	Item Code	Item Name	Type	Door Width	Door Thickness	Door Weight kg	Weight (g)	Box (pcs)	Carton (pcs)
		270-017-563	LDD-V-R	Right-handed	Max. 900	Min. 33	15-40	427	1	24
		270-017-564	LDD-V-L	Left-handed				427	1	24

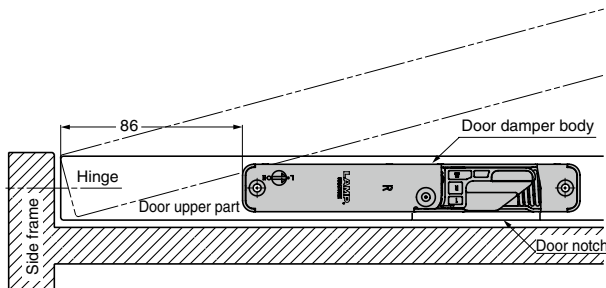
Refer to **1** : P.90, **2** : P.95, **3** **4** : P.167, **5** : P.166, **6** : P.713, **7** : P.711

[Cut Out Dimensions] Door Damper Body

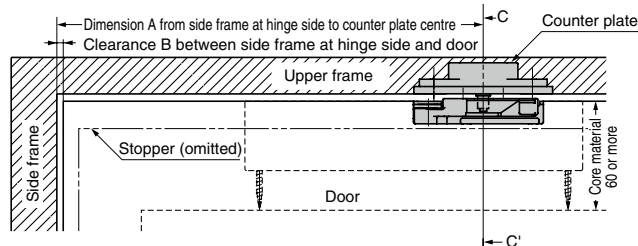
Figure below is for LDD-V-R (right-handed). LDD-V-L (left-handed) is symmetrical.

**[Installation]**

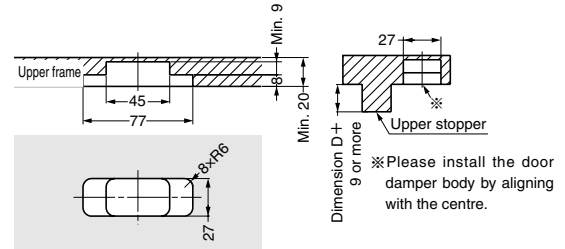
LDD-V-R (right-handed) shown. LDD-V-L (left-handed) is symmetrical.



The installation position of counter plate from door hinge side varies depending on the hinges used.



Embed the door damper body into the upper edge of the door and the counter plate into the upper frame.

[Cut Out Dimensions] Counter Plate

The installation position of counter plate from door hinge side varies depending on the hinges used.

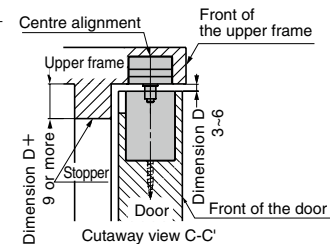
[Dimension A from Side Frame at Hinge Side to Counter Plate Centre]

Door Hinge	Clearance B Between Side Frame at Hinge Side and Door				
	1	2	3	4	5
HES3D-120	220	221	222	223	224
HES3D-160	221	222	223	224	225
HES3D-E190	221	222	223	224	225
HES3D-V135LGR	218	219	220	221	222
Butt Hinges	224	225	226	227	228

※If the clearance between the side frame at hinge side and the door is beyond the range of the above table, calculate as per the table below.

Door Hinge	Dimension A from side frame at hinge side to counter plate centre
HES3D-120	219+Clearance B Between Side Frame at Hinge Side and Door
HES3D-160	220+Clearance B Between Side Frame at Hinge Side and Door
HES3D-E190	220+Clearance B Between Side Frame at Hinge Side and Door
HES3D-V135LGR	217+Clearance B Between Side Frame at Hinge Side and Door
Butt Hinges	223+Clearance B Between Side Frame at Hinge Side and Door

※ Refer to [I](#) for 3-way adjustable concealed hinge HES3D.

**⚠ Safety Cautions**

- ◆ **Do not drop or give strong impact to this product.**
- This product can not resist strong wind. Do not use under strong wind, or the damper effect will decrease.
- If you close the door with excessive force, the damper effect may decrease.
- The door may not close enough depending on the case lock used.
- This product is designed for interior use. Do not use it outdoors.
- Do not use it at places subject to moisture and water.
- At the entrance of highly airtight room, the door closing speed and damper force may change, and the door may not close enough.
- The closing speed varies depending on the use environment (temperature, wind and hinges used on the door, etc.). Operating temperature: 0°C ~ 40°C.
- Do not apply a load in the vertical direction or excessive force to pull-in arm. Otherwise, it may be damaged.
- Please install and adjust this product after adjusting the door hinges.
- Please use the door hinges within the adaptive door weight range of this product.
- Please install this product horizontally. Otherwise, it may not operate properly.
- After vertical adjustment of counter plate, tighten the fixing nut firmly.
- This product is supplied with installation instruction. Be sure to read before installation or use.
- Regularly check for looseness or dropout of screws during use.

Refer to [I](#) : P.90