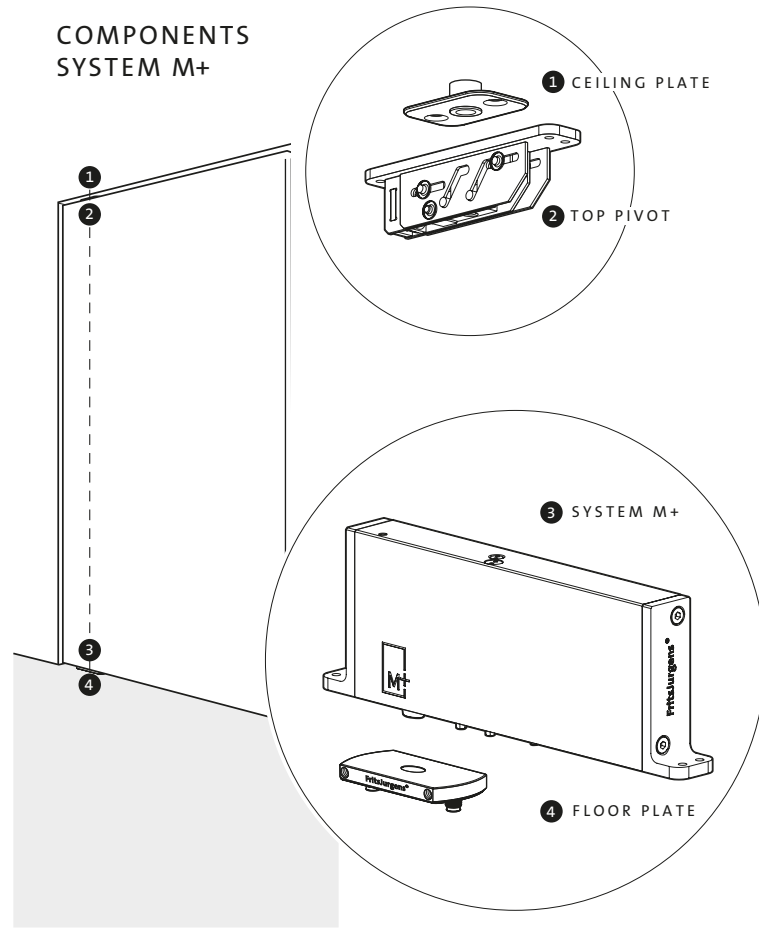


MOU N T I N G M A N U A L

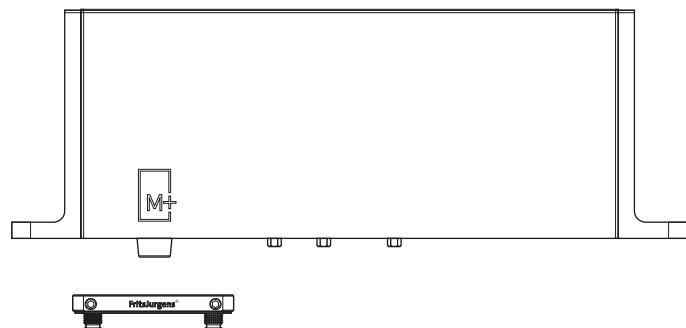
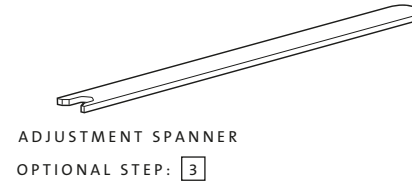
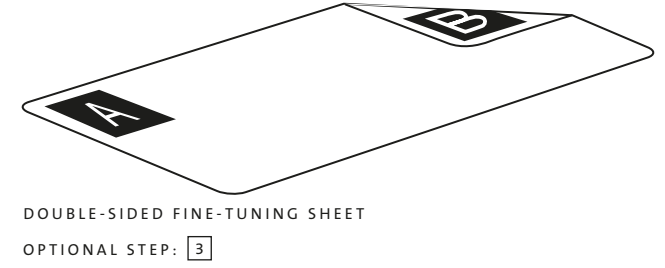
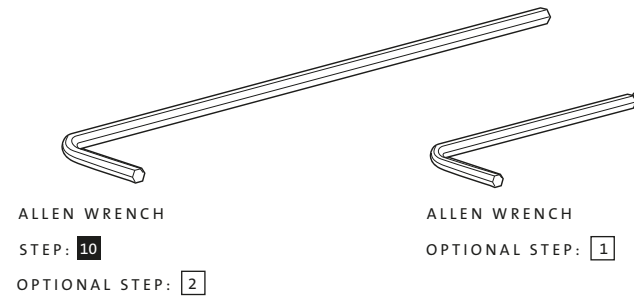
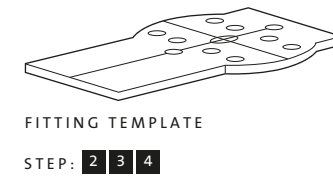
FritsJurgens®

SYSTEM M+

COMPONENTS SYSTEM M+

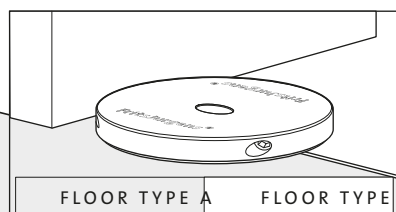
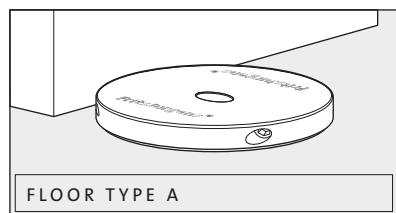
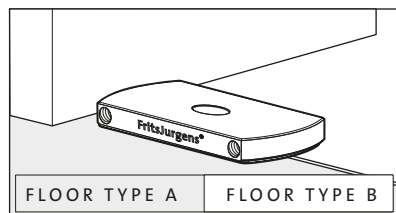
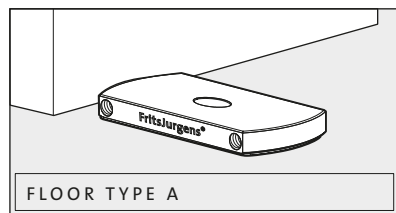


MOUNTING KIT



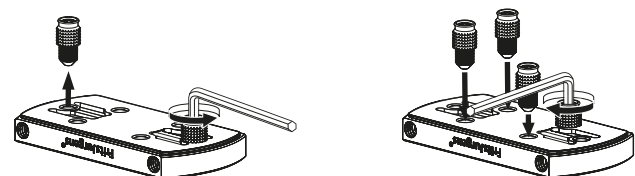
STEP 1

SELECT THE FLOOR PLATE



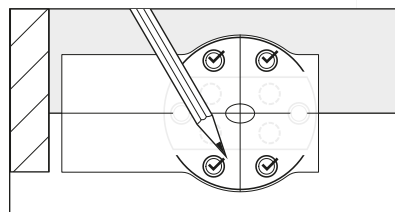
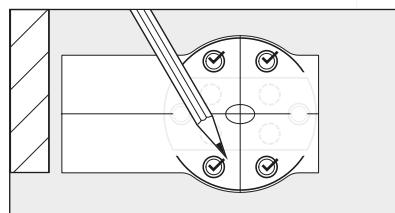
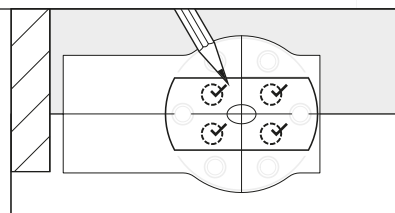
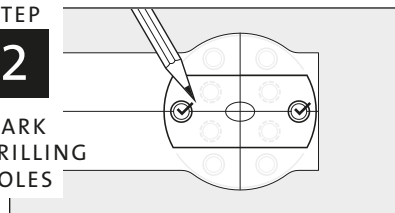
STEP 1.1

PREPARE THE FLOOR PLATE



STEP 2

MARK DRILLING HOLES



! PLACEMENT OF FITTING TEMPLATE

B min 91.0mm

X

E

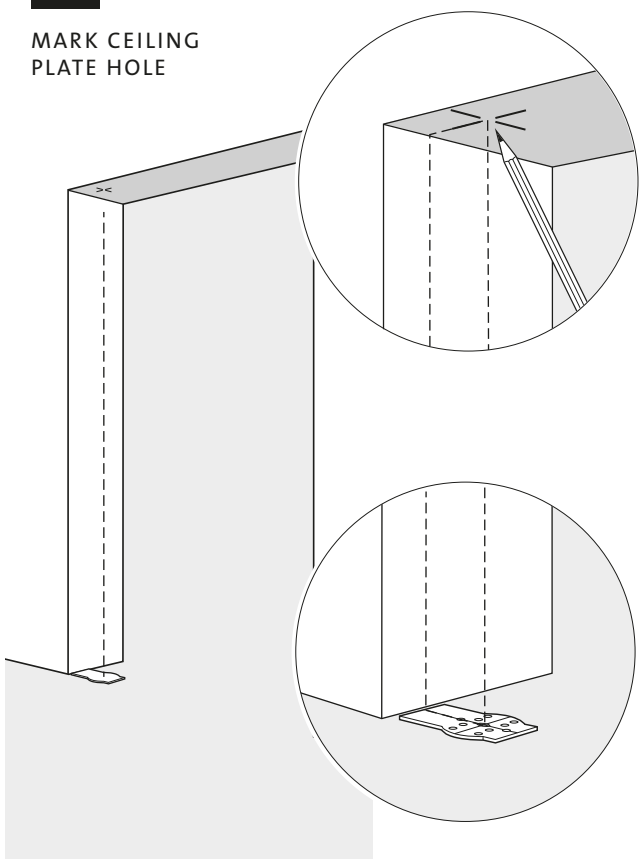
CONSULT THE ONLINE GAP CALCULATOR

	40	50	60	70	80	90	100	X
B								
91	4	5	7	9	10	12	15	
250	3	3	4	4	5	6	7	
500	2	3	3	3	4	4	5	
1000	2	2	3	3	3	3	3	
1500	2	2	2	2	2	3	3	
2000	2	2	2	2	2	2	3	

E MINIMUM GAP BETWEEN DOOR AND WALL (IN MM)
B DISTANCE PIVOT POINT TO BEGINING EDGE OF DOOR (IN MM)
X DOOR THICKNESS (IN MM)

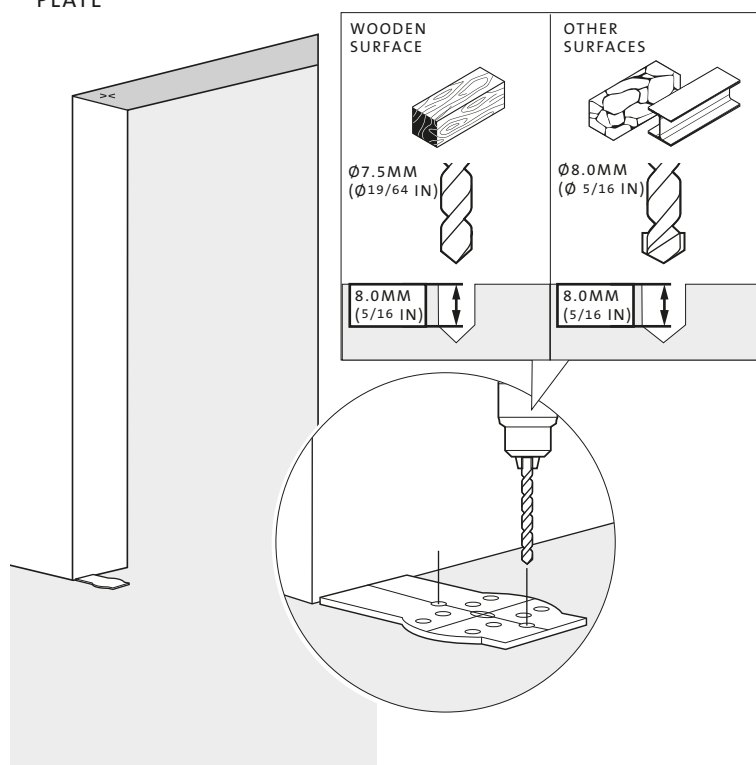
STEP 3

MARK CEILING PLATE HOLE



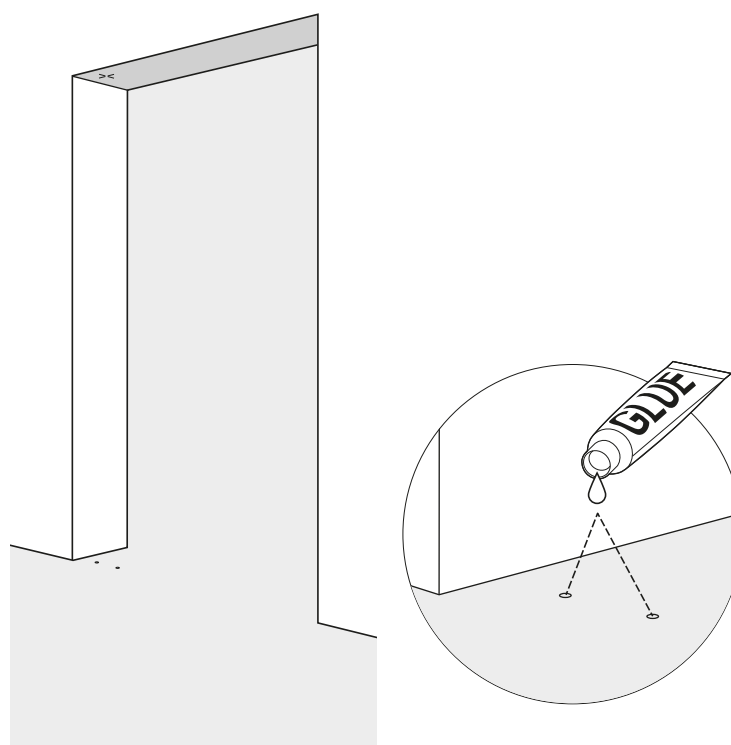
STEP 4

DRILL HOLES FOR FLOOR PLATE



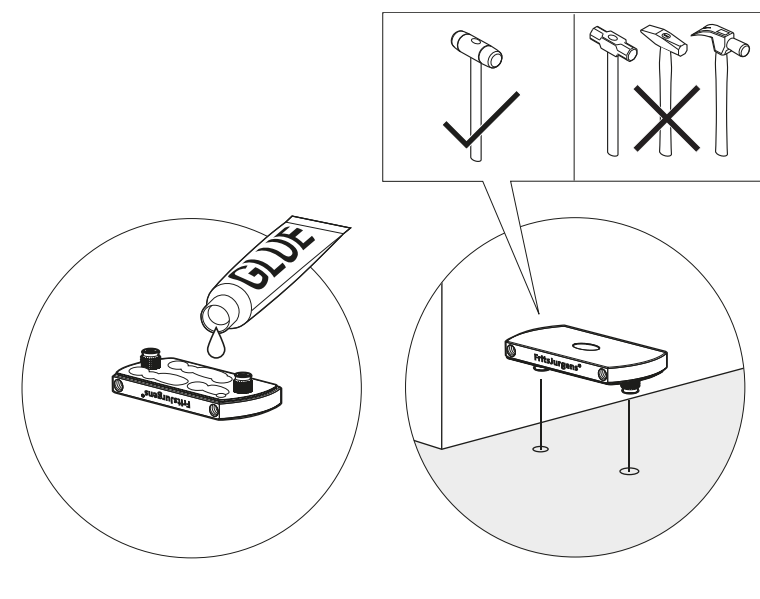
STEP 5

ADD GLUE TO HOLES



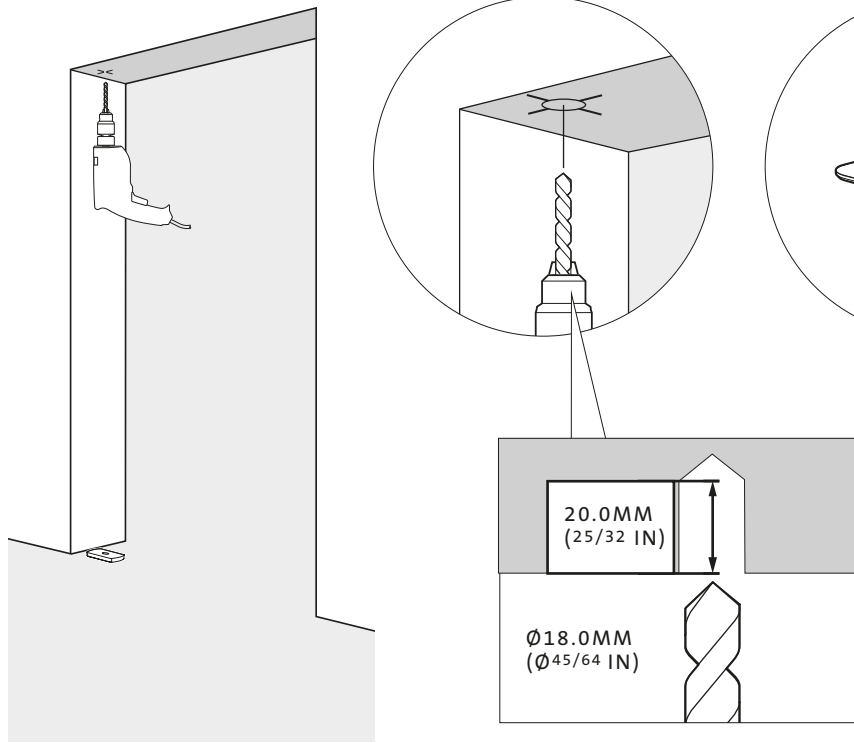
STEP 6

AFFIX FLOOR PLATE TO FLOOR



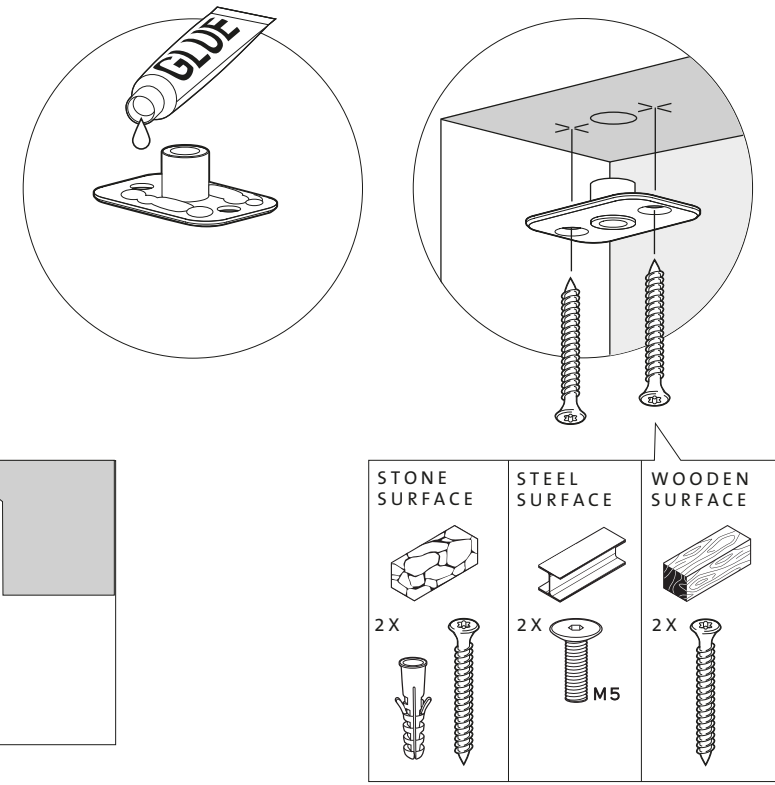
STEP 7

DRILL HOLE FOR CEILING PLATE



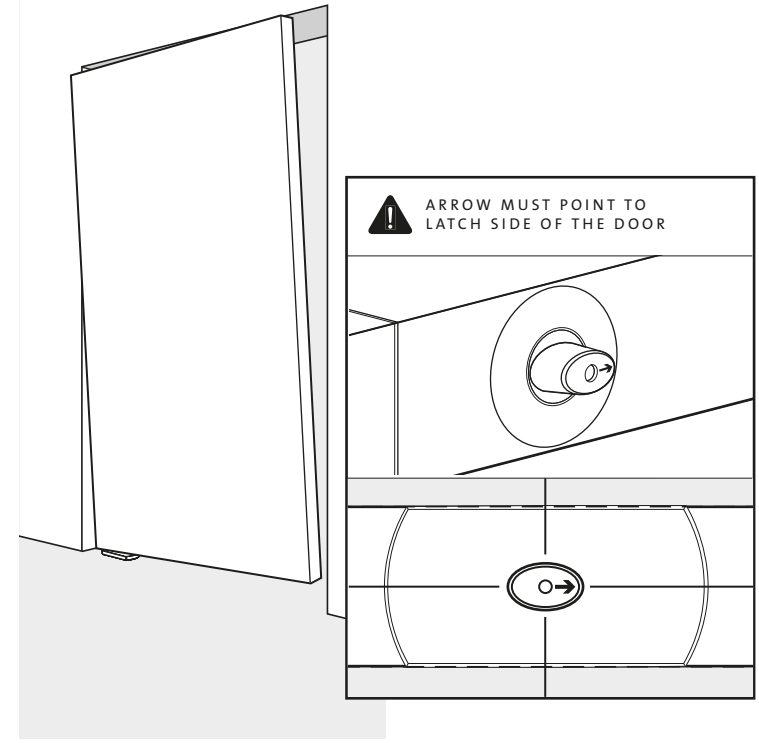
STEP 8

AFFIX CEILING PLATE



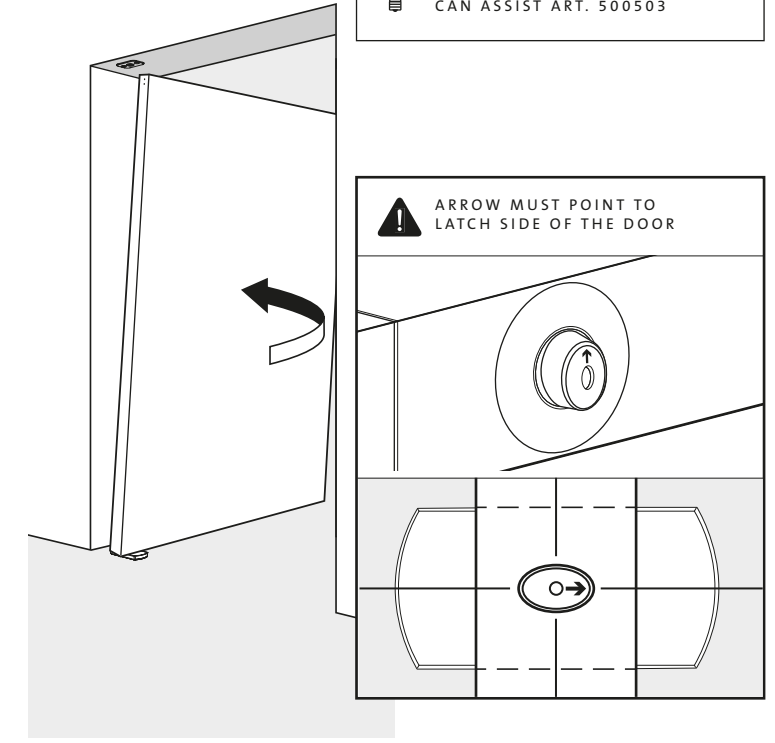
STEP 9

PLACE THE DOOR



STEP 9.1

PREPARE SYSTEM M+

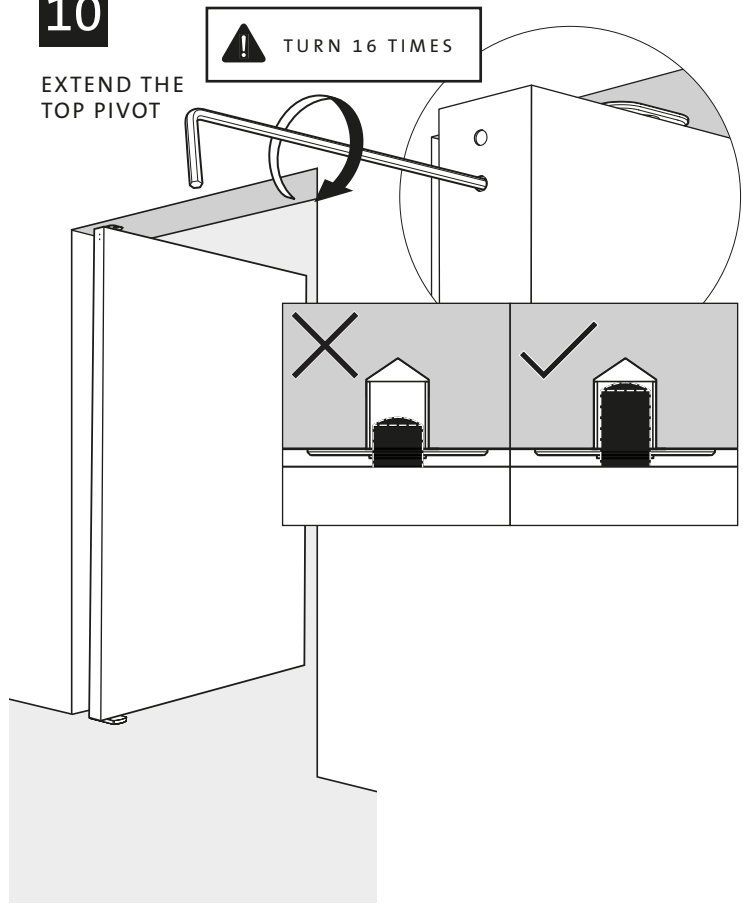


THIS VIDEO CAN ASSIST WITH THIS STEP

THE SYSTEM M AXLE WRENCH CAN ASSIST ART. 500503

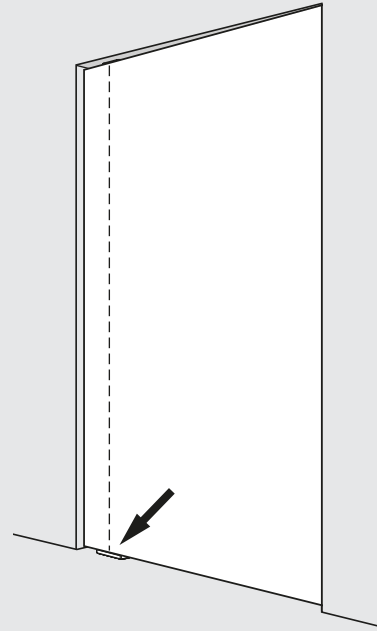
STEP 10

EXTEND THE TOP PIVOT

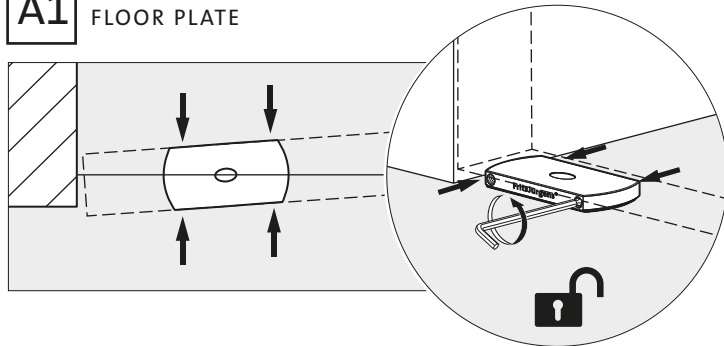


1

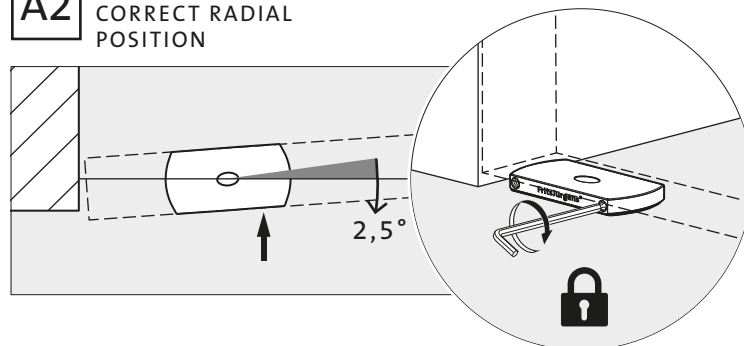
OPTIONAL:
FINE-TUNE THE
RADIAL POSITION



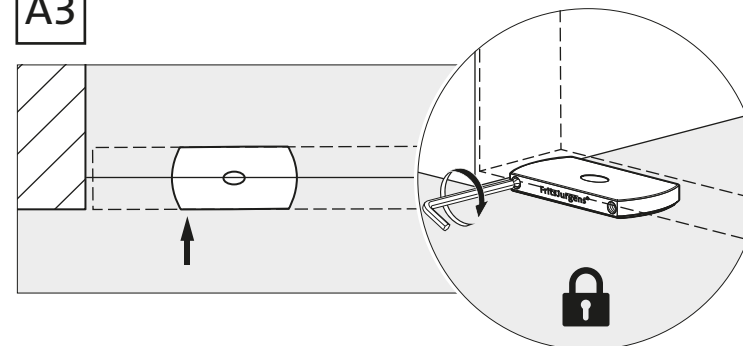
A1 UNLOCK THE FLOOR PLATE



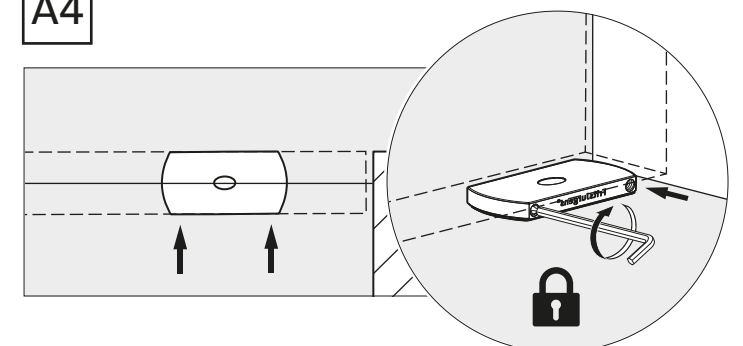
A2 LOCK INTO THE CORRECT RADIAL POSITION



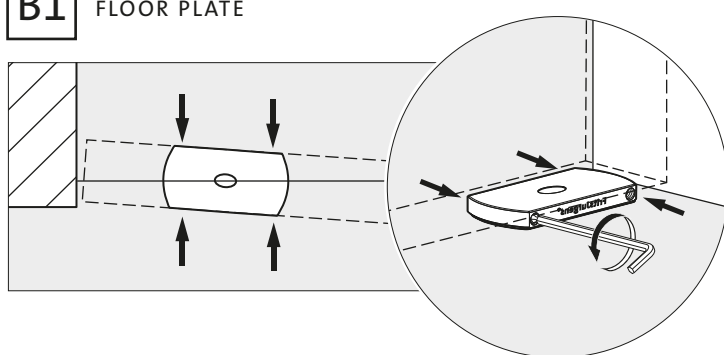
A3 LOCK FLOOR PLATE



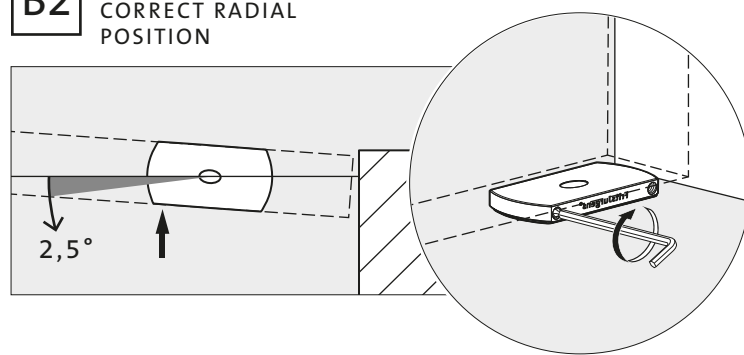
A4 LOCK FLOOR PLATE



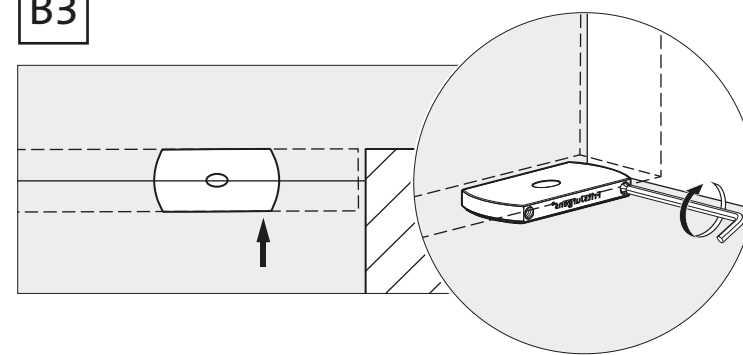
B1 UNLOCK THE FLOOR PLATE



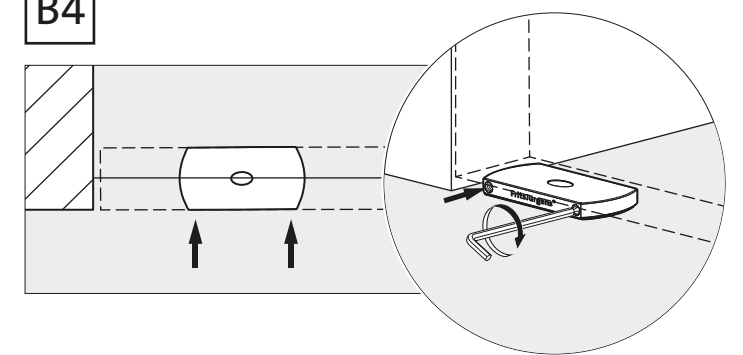
B2 LOCK INTO THE CORRECT RADIAL POSITION



B3 LOCK FLOOR PLATE

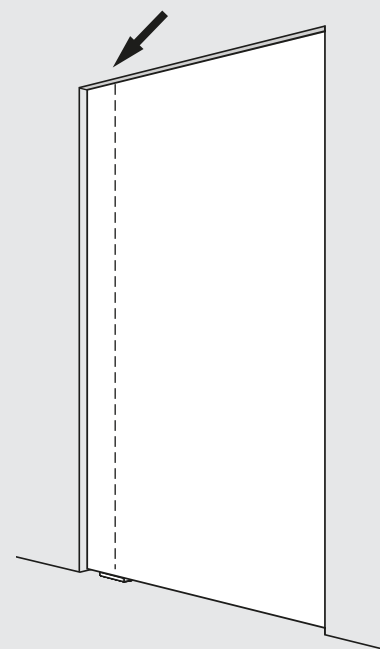


B4 LOCK FLOOR PLATE



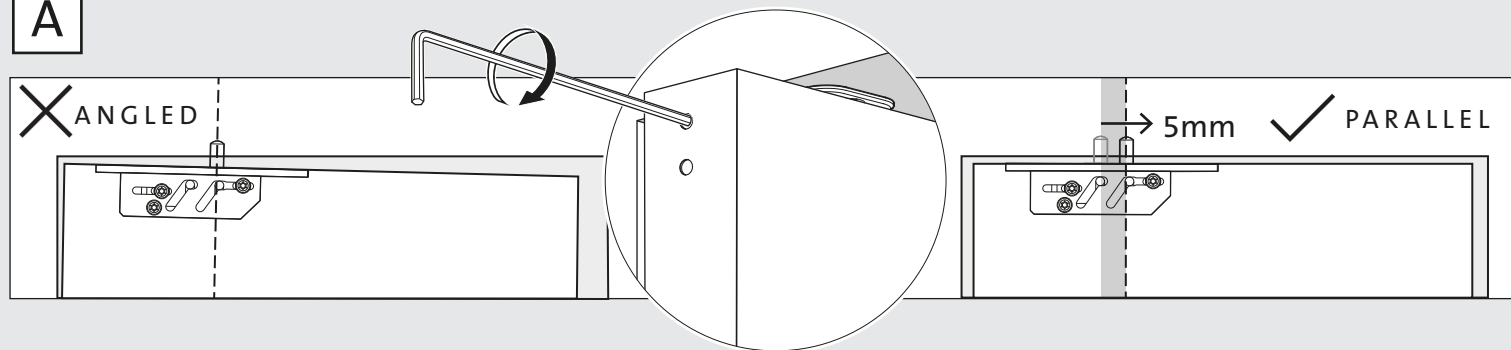
2

OPTIONAL:
FINE-TUNE THE
CLOSING SEAM



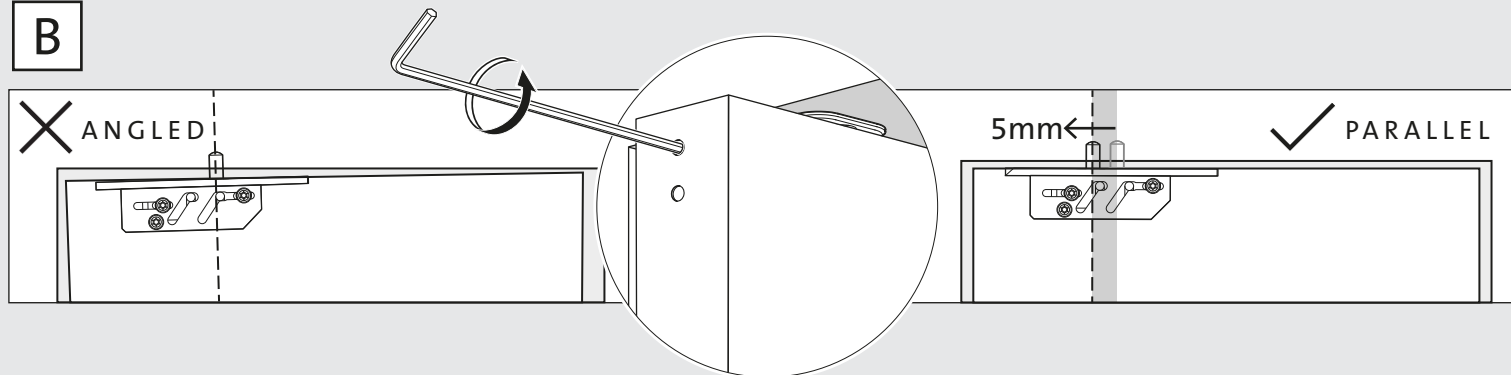
OPTION

A



OPTION

B

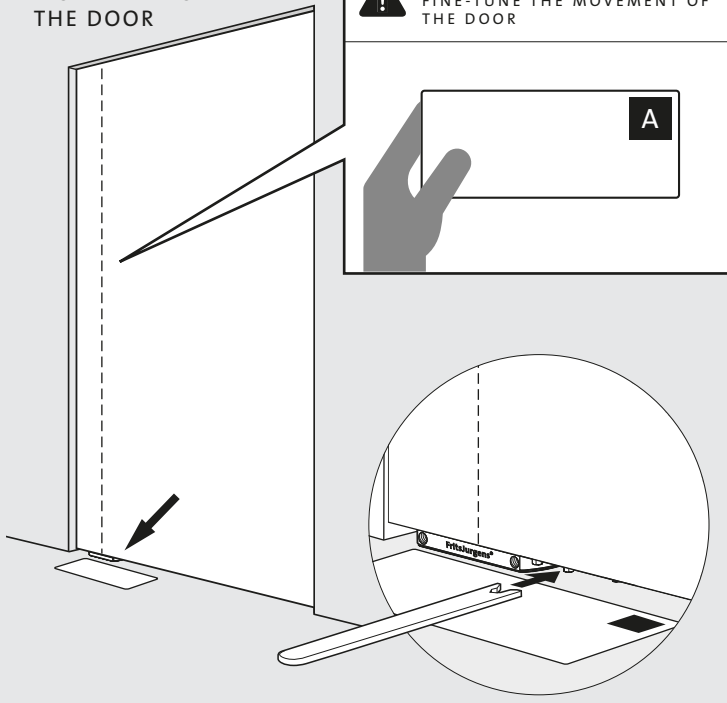


3

OPTIONAL:
FINE-TUNE THE
MOVEMENT OF
THE DOOR

THIS VIDEO CAN ASSIST WITH THIS STEP

USE REFERENCE SHEET TO FINE-TUNE THE MOVEMENT OF THE DOOR



Fritslungens®

STEP 1

STEP 1

STEP 2

DAMPER

STEP 3

SPEED

EXTRA L

LATCH

LATCH

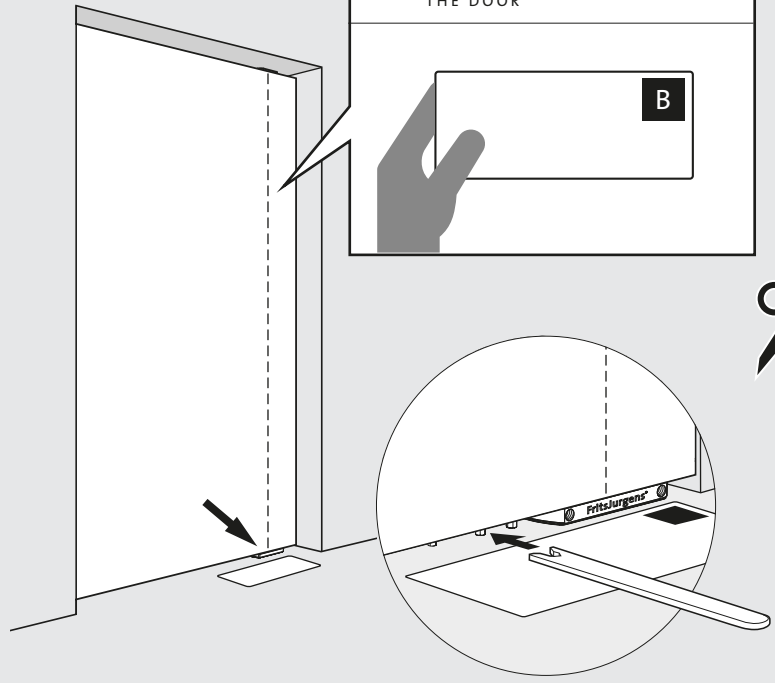
DAMPER

SPEED

WATCH INSTRUCTION VIDEO

A

USE REFERENCE SHEET TO FINE-TUNE THE MOVEMENT OF THE DOOR



Fritslungens®

STEP 1

STEP 1

STEP 2

DAMPER

STEP 3

SPEED

EXTRA L

LATCH

SPEED

DAMPER

LATCH

WATCH INSTRUCTION VIDEO

B