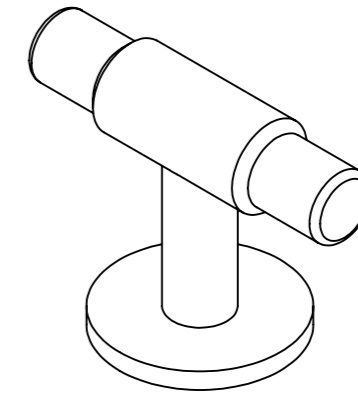
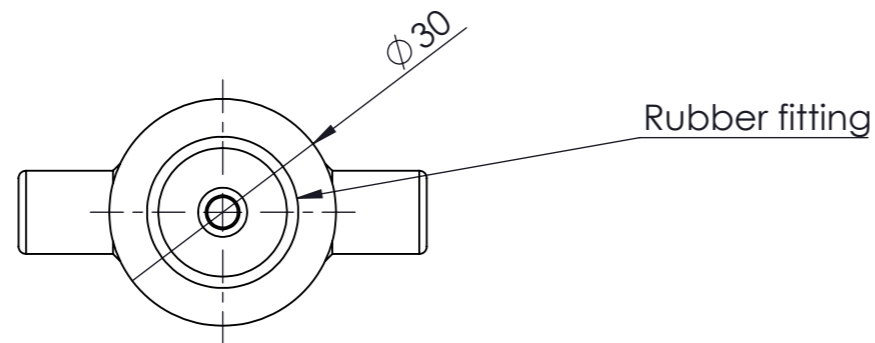
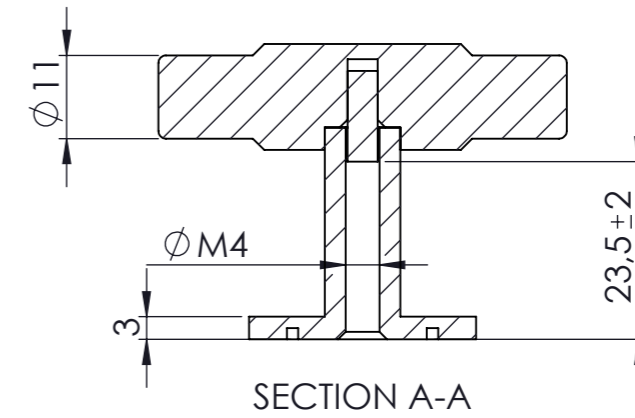
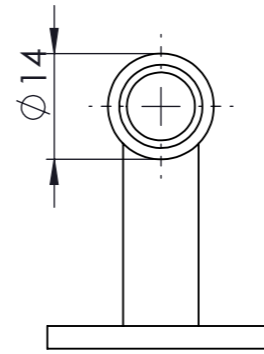
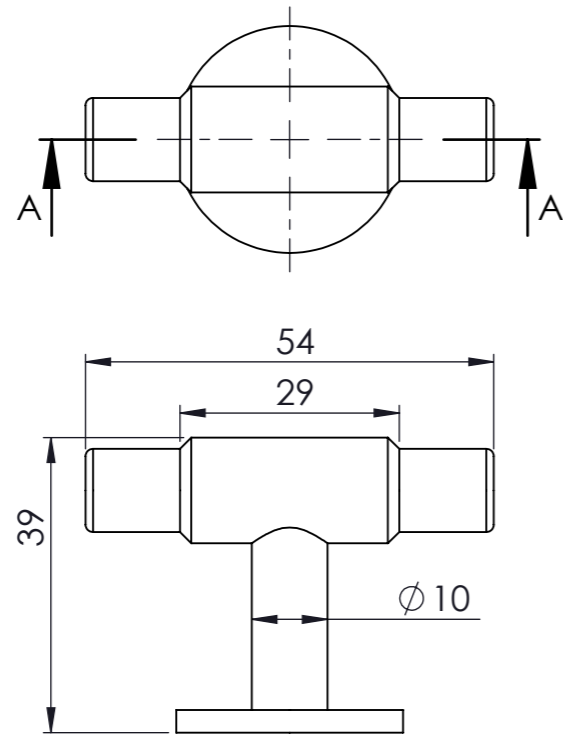


Part name: MANOR	Projection: 	Sheet format: A3	Tolerance unless otherwise specified DS/ISO 2768-1M																	
Designer:	Drawn by: MCH 14-06-2020	Scale: 1:1	<table border="1"> <tr> <td>Linear dimensions:</td> <td>0-3</td> <td>3-6</td> <td>6-30</td> <td>30-120</td> <td>120-400</td> <td>400-1000</td> <td>1000-2000</td> </tr> <tr> <td></td> <td>±0,1</td> <td>±0,1</td> <td>±0,2</td> <td>±0,3</td> <td>±0,5</td> <td>±0,8</td> <td>±1,2</td> </tr> </table>		Linear dimensions:	0-3	3-6	6-30	30-120	120-400	400-1000	1000-2000		±0,1	±0,1	±0,2	±0,3	±0,5	±0,8	±1,2
Linear dimensions:	0-3	3-6	6-30	30-120	120-400	400-1000	1000-2000													
	±0,1	±0,1	±0,2	±0,3	±0,5	±0,8	±1,2													
Part no.: 548920xxx	Sheet 1 of 1	<table border="1"> <tr> <td>Angle</td> <td>Radius</td> </tr> <tr> <td>±0,5°</td> <td>±5%</td> </tr> </table>		Angle	Radius	±0,5°	±5%													
Angle	Radius																			
±0,5°	±5%																			
Material:	Weight:																			
		Delta 2 Phone: +45 87 64 35 00 DK-8382 Hinnerup E-mail: fp@furnipart.com																		
COPYRIGHT: THIS DRAWING MAY NOT BE COPIED OR REPRODUCED IN ANY WAY WITHOUT DIRECT PERMISSION FROM FURNIPART A/S																				

Rev.:	Date:	Name:	Description:
A	18-06-2020	MCH	Changed according to first measurement
B	05-10-2020	MCH	Changed according to first production

Length	C/C
182	128
246	192



Rev.:	Date:	Name:	Description:

Part name: MANOR T-bar	Projection: 	Sheet format: A3 Scale: 1:1	Tolerance unless otherwise specified DS/ISO 2768-1M Linear dimensions: <table border="1"> <tr> <td>0-3</td> <td>3-6</td> <td>6-30</td> <td>30-120</td> <td>120-400</td> <td>400-1000</td> <td>1000-</td> </tr> <tr> <td>±0,1</td> <td>±0,1</td> <td>±0,2</td> <td>±0,3</td> <td>±0,5</td> <td>±0,8</td> <td>±1,2</td> </tr> </table>	0-3	3-6	6-30	30-120	120-400	400-1000	1000-	±0,1	±0,1	±0,2	±0,3	±0,5	±0,8	±1,2
0-3	3-6	6-30	30-120	120-400	400-1000	1000-											
±0,1	±0,1	±0,2	±0,3	±0,5	±0,8	±1,2											
Designer:	Drawn by: MCH 11-06-2020	<table border="1"> <tr> <td>Angle</td> <td>Radius</td> </tr> <tr> <td>±0,5°</td> <td>±5%</td> </tr> </table>		Angle	Radius	±0,5°	±5%										
Angle	Radius																
±0,5°	±5%																
Part no.:	Sheet 1 of 1																
Material:	Weight:																
COPYRIGHT: THIS DRAWING MAY NOT BE COPIED OR REPRODUCED IN ANY WAY WITHOUT DIRECT PERMISSION FROM FURNIPART A/S																	