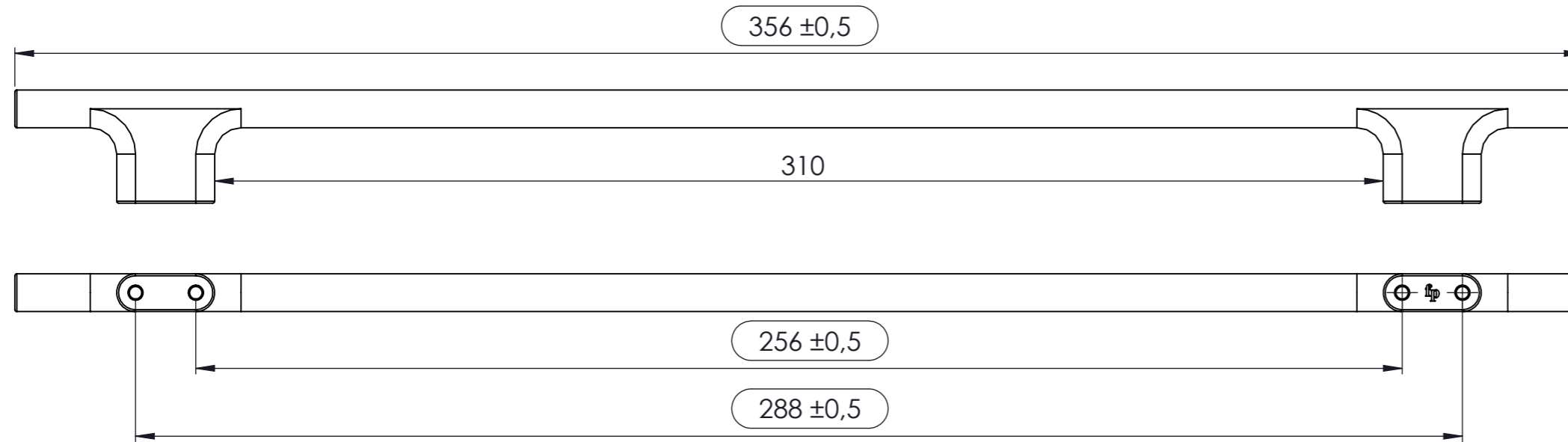
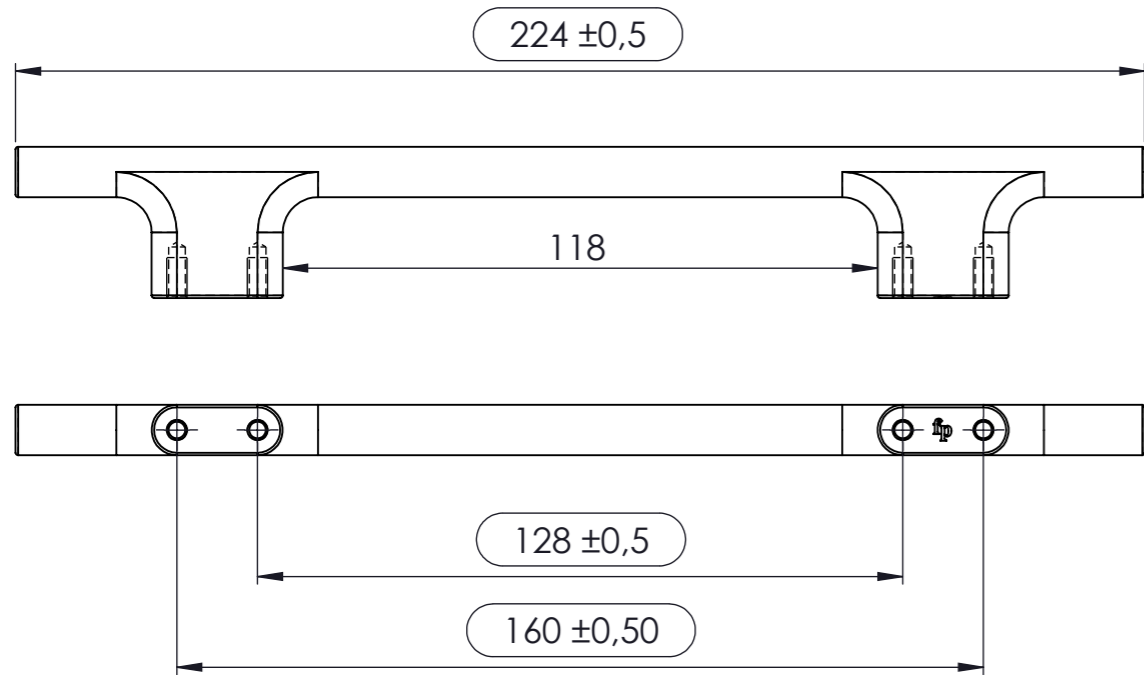


Part nr:	CC1	CC2	L
460820128	128	160	224
460820256	256	288	356

Rev.:	Date:	Name:	Description:

Part name: <b>KOUPE</b>	Projection: 	Sheet format: <b>A3</b>	Tolerance unless otherwise specified DS/ISO 2768-1M <table border="1"> <tr> <td>Linear dimensions:</td> <td>0-3</td> <td>3-6</td> <td>6-30</td> <td>30-120</td> <td>120-400</td> <td>400-1000</td> <td>1000-2000</td> </tr> <tr> <td></td> <td>±0,1</td> <td>±0,1</td> <td>±0,2</td> <td>±0,3</td> <td>±0,5</td> <td>±0,8</td> <td>±1,2</td> </tr> <tr> <td>Angle:</td> <td colspan="2">±0,5°</td> <td colspan="4">Radius: ±5%</td> <td></td> </tr> </table>	Linear dimensions:	0-3	3-6	6-30	30-120	120-400	400-1000	1000-2000		±0,1	±0,1	±0,2	±0,3	±0,5	±0,8	±1,2	Angle:	±0,5°		Radius: ±5%				
	Linear dimensions:	0-3		3-6	6-30	30-120	120-400	400-1000	1000-2000																		
	±0,1	±0,1	±0,2	±0,3	±0,5	±0,8	±1,2																				
Angle:	±0,5°		Radius: ±5%																								
Sheet: 1 of 2	Scale: 1:2	Weight:																									
Designer: VE2	Drawn by: NLS 16-07-24	Finish requirements (PS-004) [A] = Most important surface [B] = Important surface [C] = Less important surface	 Delta 2 DK-8382 Hinnerup Phone: +45 87 64 35 00 E-mail: fp@furnipart.com Requirements confer PS-001 Technical Specifications																								
Item no.: <b>460820xxx</b>	Material: Aluminium			<p style="font-size: small;">COPYRIGHT: THIS DRAWING MAY NOT BE COPIED OR REPRODUCED IN ANY WAY WITHOUT DIRECT PERMISSION FROM FURNIPART A/S</p>																							



Part nr:	CC1	CC2	L
460820128	128	160	224
460820256	256	288	356

Rev.:	Date:	Name:	Description:

Part name: <b>KOUPE</b>	Projection: 	Sheet format: <b>A3</b>	Tolerance unless otherwise specified DS/ISO 2768-1M Linear dimensions: <table border="1"><tr><td>0-3</td><td>3-6</td><td>6-30</td><td>30-120</td><td>120-400</td><td>400-1000</td><td>1000-2000</td></tr><tr><td>±0,1</td><td>±0,1</td><td>±0,2</td><td>±0,3</td><td>±0,5</td><td>±0,8</td><td>±1,2</td></tr></table> Angle: ±0,5°      Radius: ±5%	0-3	3-6	6-30	30-120	120-400	400-1000	1000-2000	±0,1	±0,1	±0,2	±0,3	±0,5	±0,8	±1,2
	0-3	3-6		6-30	30-120	120-400	400-1000	1000-2000									
±0,1	±0,1	±0,2	±0,3	±0,5	±0,8	±1,2											
Designer: VE2	Sheet: 2 of 2	Scale: 1:2	<b>furnipart</b> <sup>®</sup> Delta 2      Phone: +45 87 64 35 00 DK-8382 Hinnerup      E-mail: fp@furnipart.com Requirements confer PS-001 Technical Specifications														
Item no.: <b>460820XXX</b>	Drawn by: NLS 16-07-24	Weight:															
Material: Aluminium	Finish requirements (PS-004) [A] = Most important surface [B] = Important surface [C] = Less important surface		COPYRIGHT: THIS DRAWING MAY NOT BE COPIED OR REPRODUCED IN ANY WAY WITHOUT DIRECT PERMISSION FROM FURNIPART A/S														