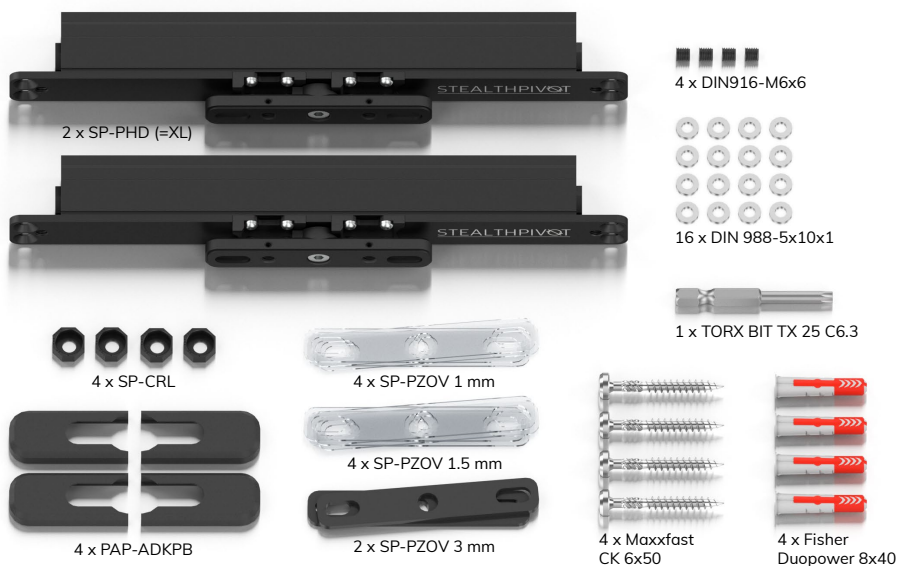
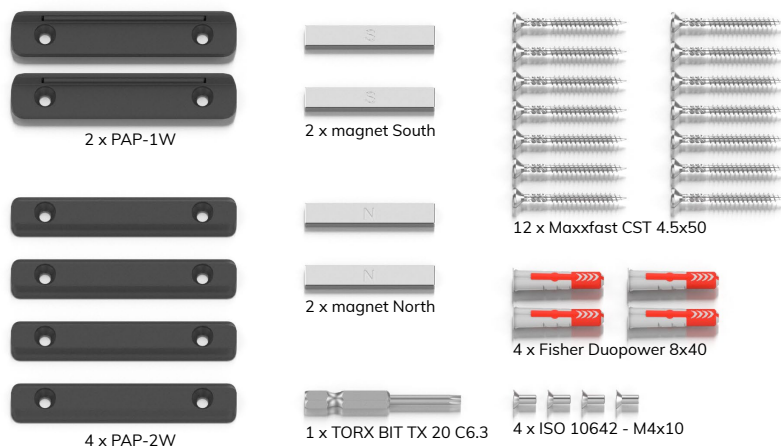


Funktional XL - Quickstart guide

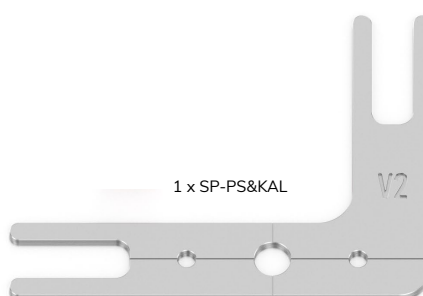
FUNKTIONAL XL SET



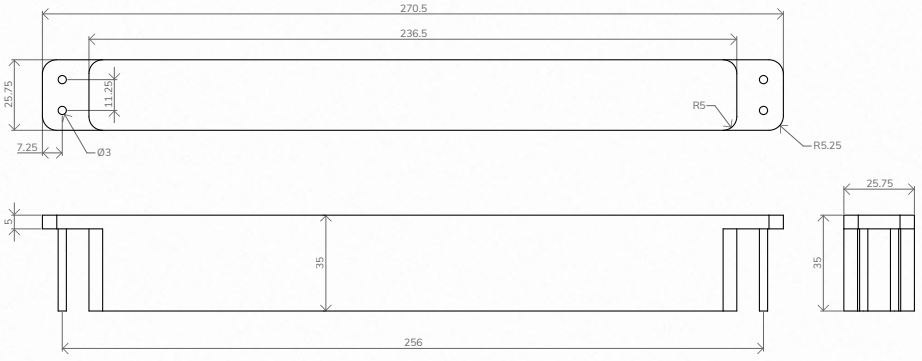
OPTIONAL FUNKTIONAL XL ACCESSORY SET



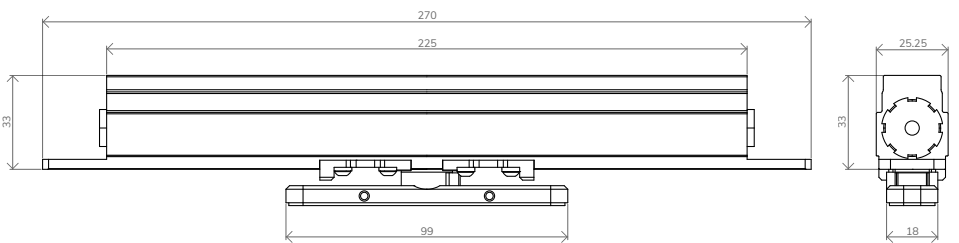
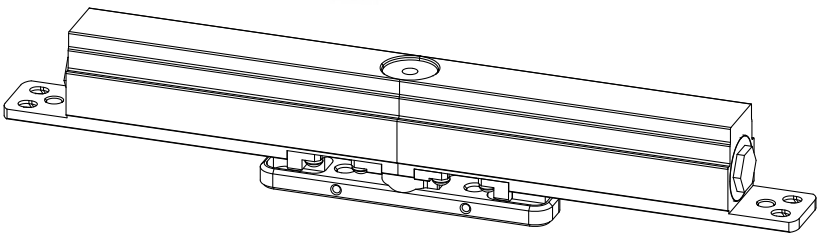
OPTIONAL FUNKTIONAL INSTALLATION TOOL



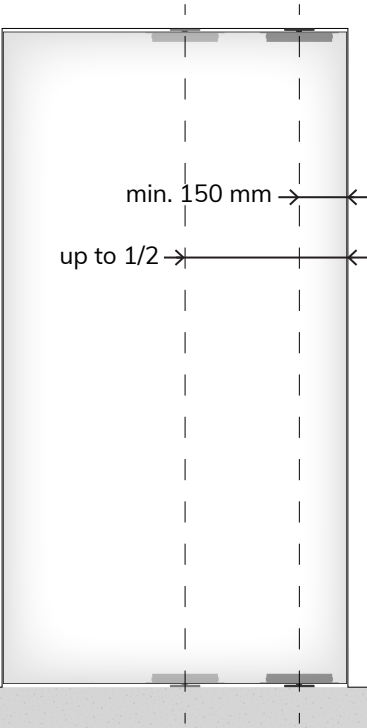
FUNKTIONAL XL CAVITY DIMENSIONS (mm)



FUNKTIONAL XL DIMENSIONS (mm)



AXIS POSITIONS



FUNKTIONAL XL

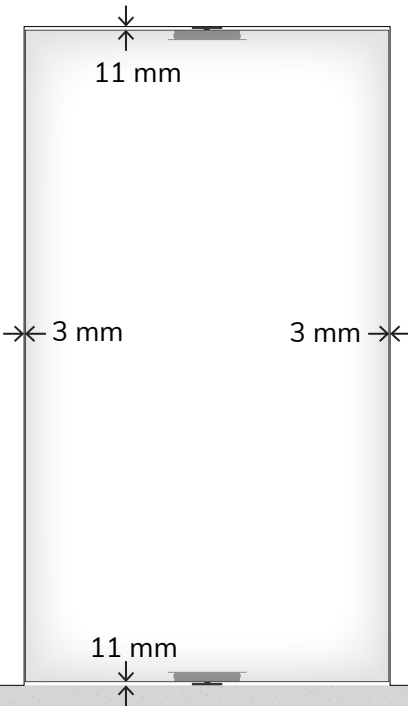
Max. width = 2250 mm

Max. weight = 150 kg (330 lbs)

Doors < 1250 mm: axis 150 mm up to 1/2

Doors > 1250 mm: axis 1/4 up to 1/2

ADVISED JOINT DIMENSIONS

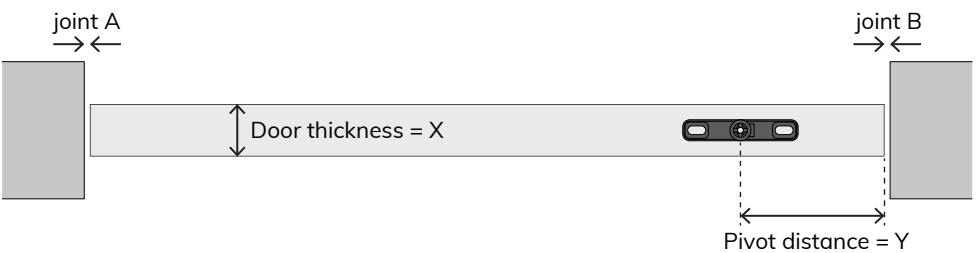


Top & bottom joints = min. 11 mm

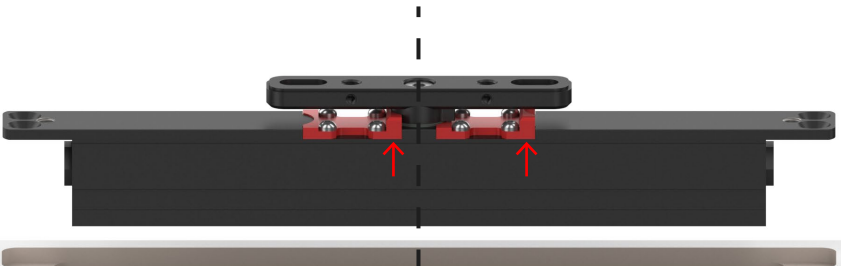
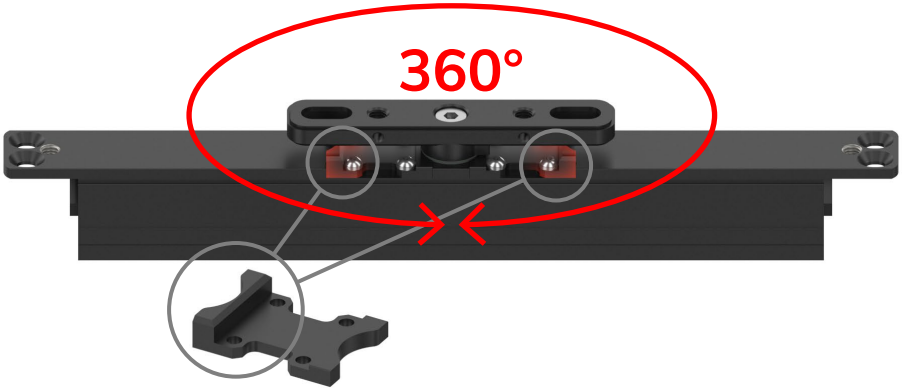
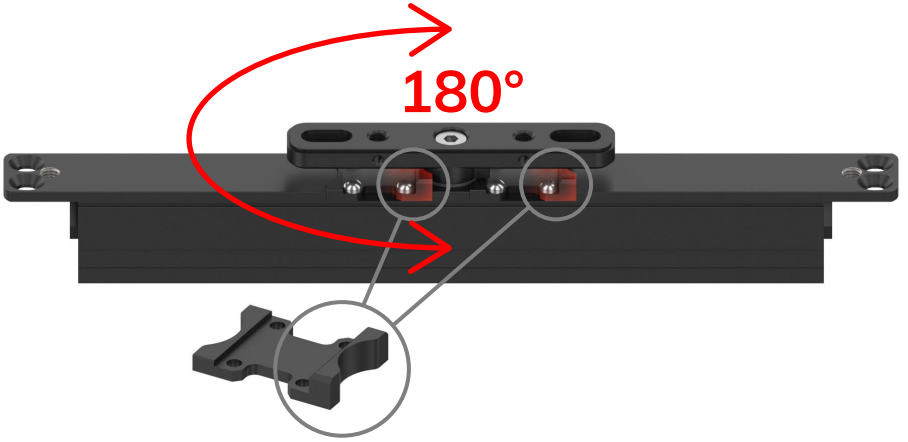
Left & right joints:

The minimum joint depends on the door thickness and pivot distance. For visual coherence, we advise to use equal joints left and right. See visual and table below for advised left and right joint dimensions.

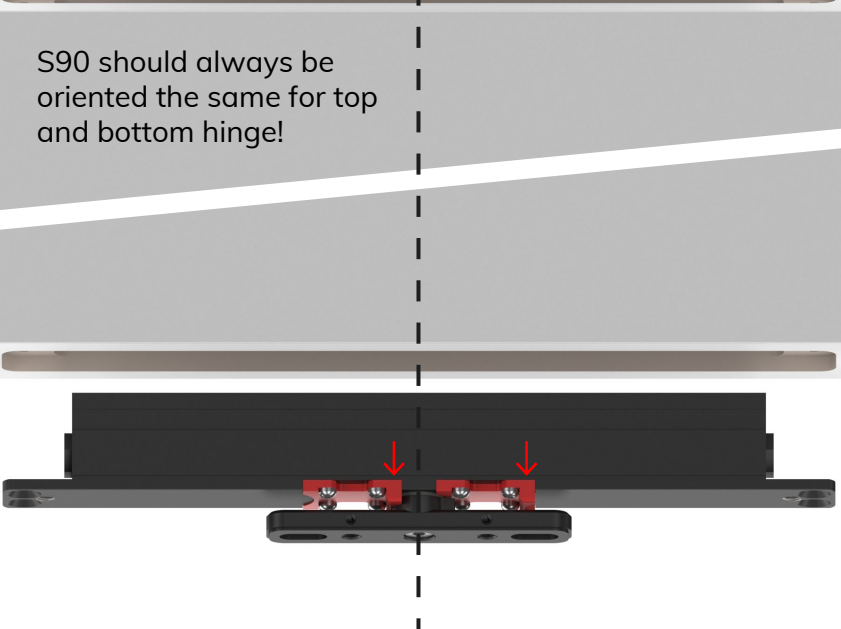
Y ▼	A = B			
1500	2	2	2	2
1000	2	2	3	3
500	2	3	3	3
250	3	3	4	4
85	4	5	7	9
X ▶	40	50	60	70



S90 - 90° STOP ACCESSORY



S90 should always be oriented the same for top and bottom hinge!

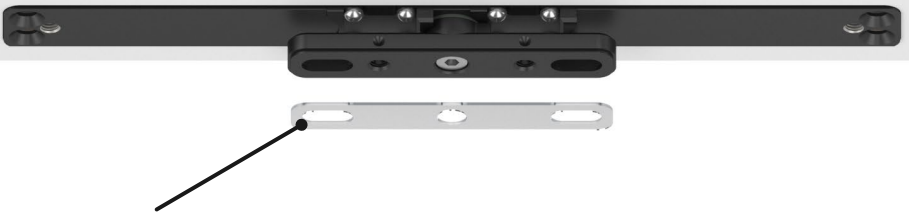


HINGE HEIGHT ADJUSTMENT OPTIONS



1. Shims between hinge and door

TOP or BOTTOM joint = preferred method for bottom hinge



2. Shims between hinge and floor

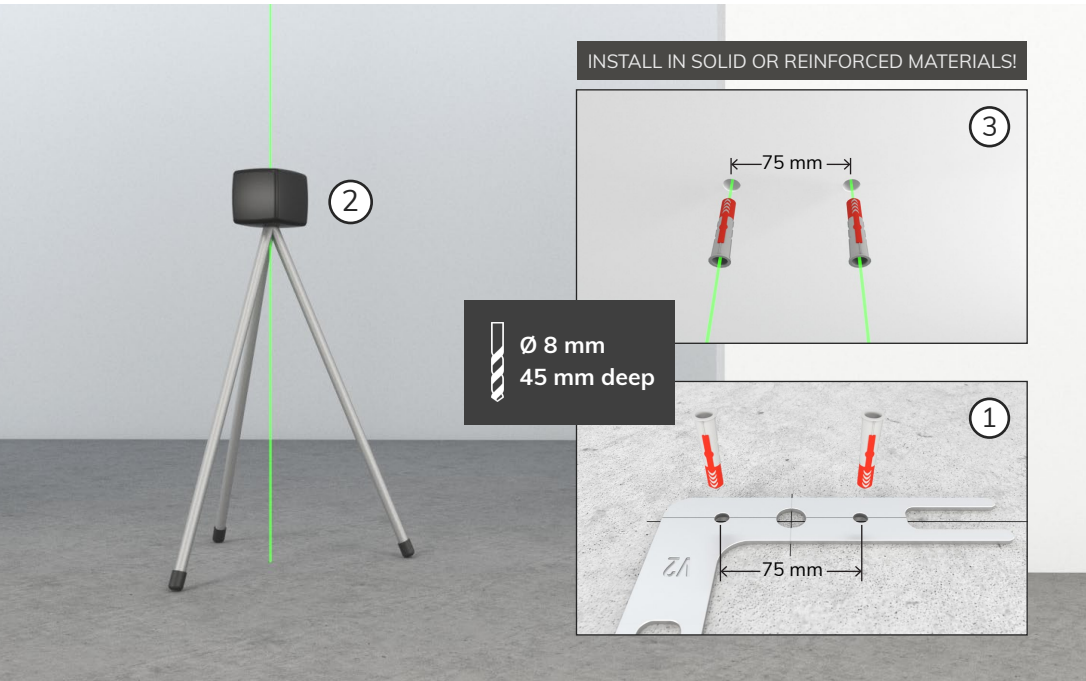
TOP or BOTTOM joint = faster but less stable method



3. Inbus screws

Only for TOP joint adjustment and non compressible door structures!

DRILL PIVOT MOUNT HOLES

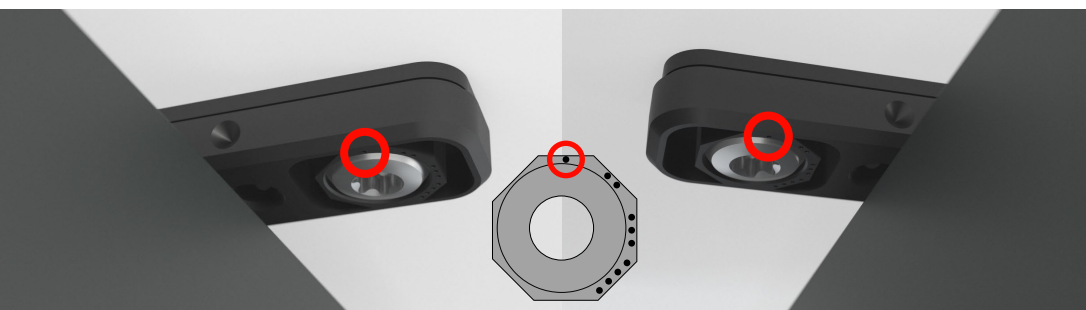
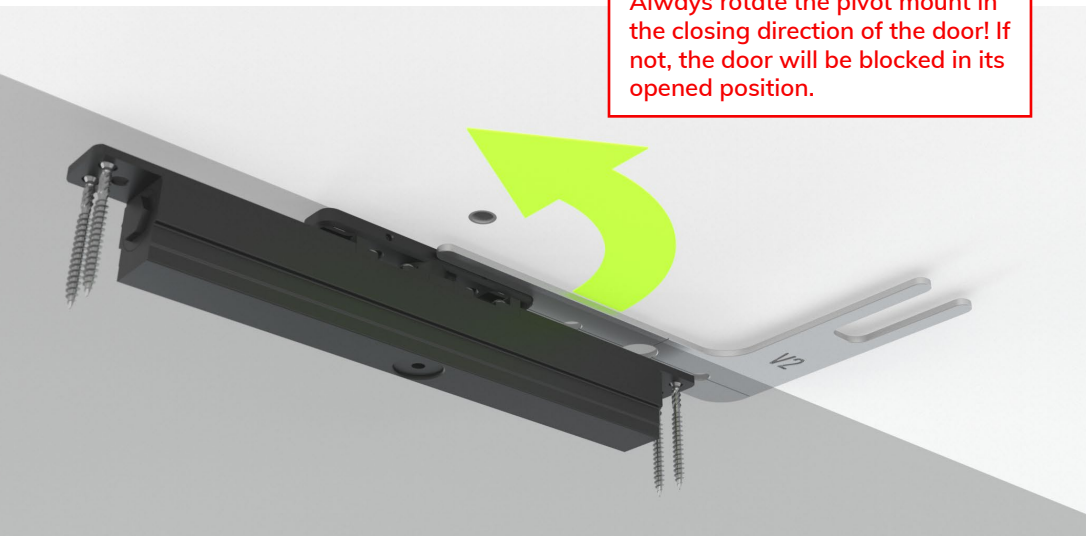


INSTALL ASSEMBLED DOOR

Place the assembled door in the doorway, with the pivot axis in between the 2 pivot mounting holes.

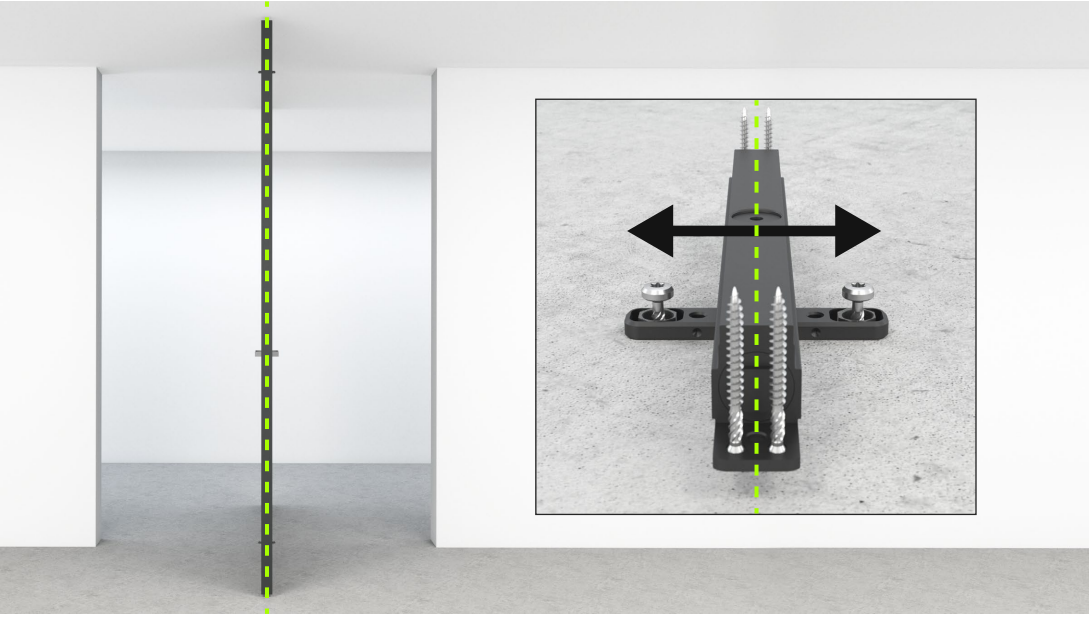
Then use the drill tool to rotate the pivot mount in place. Repeat for the bottom pivot mount.

Always rotate the pivot mount in the closing direction of the door! If not, the door will be blocked in its opened position.

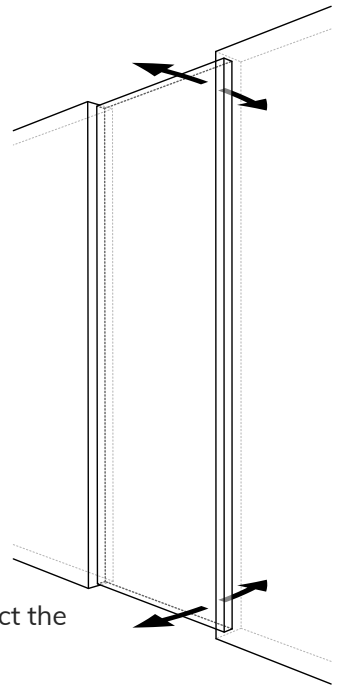
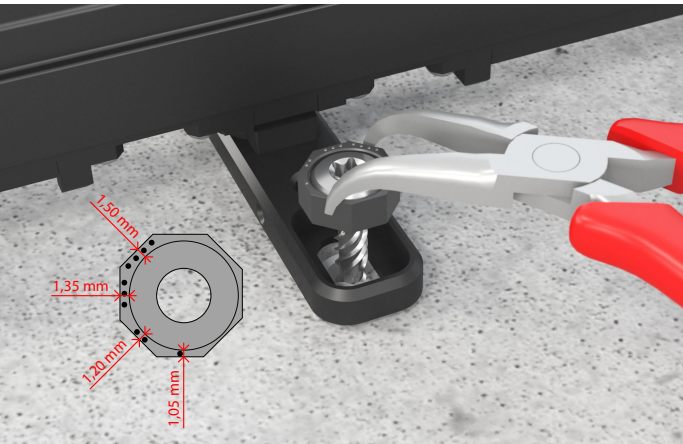


Install the octagonal inserts at 'position 1' in the top mount, then insert screws but do not fully tighten yet. Repeat for the bottom mount.

ADJUST PIVOT AXIS POSITION

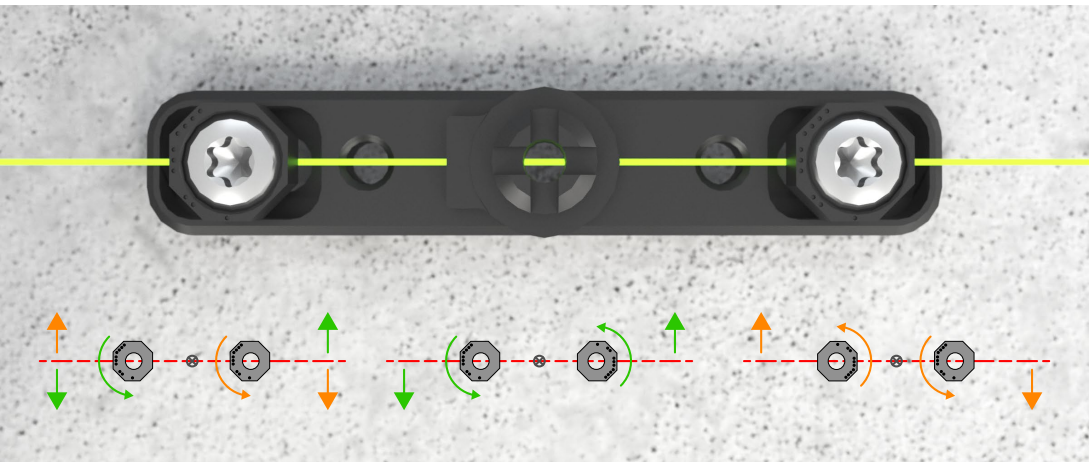


0° POSITIONING ADJUSTMENTS

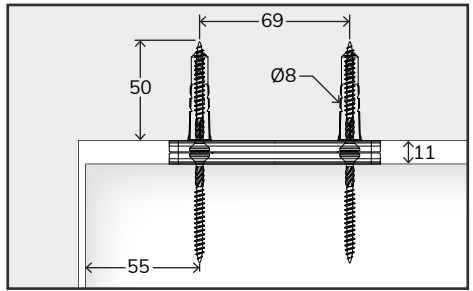
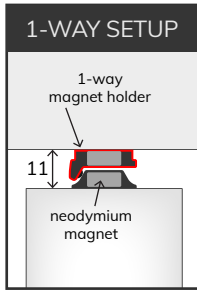
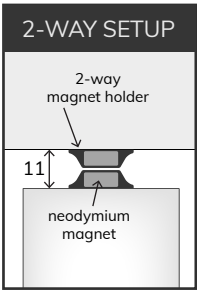
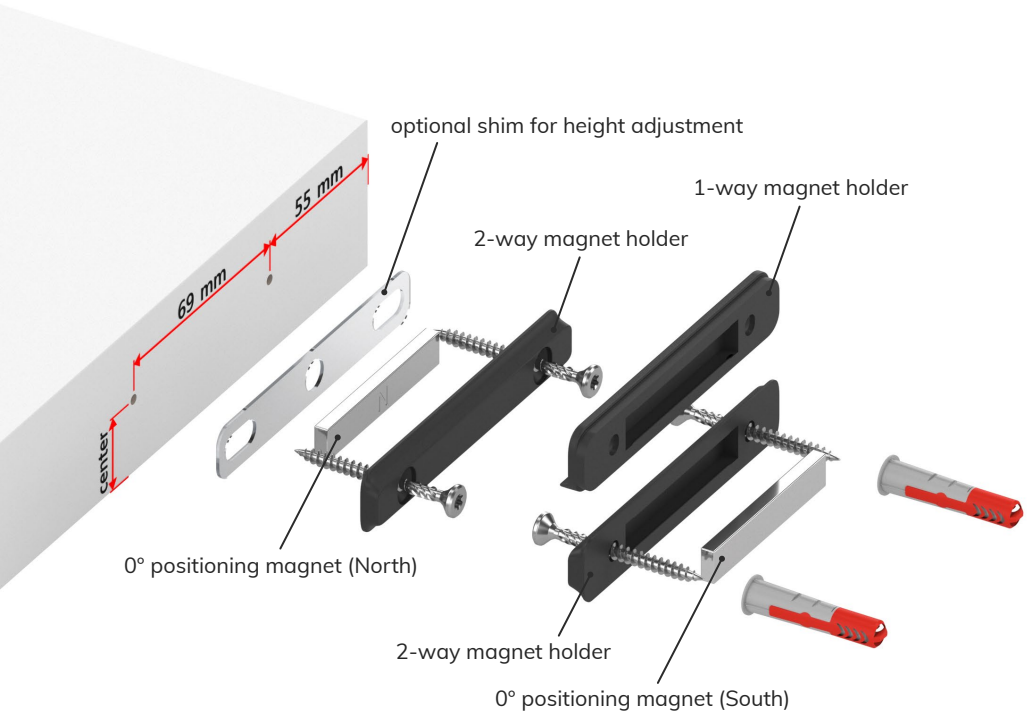


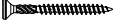
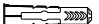

The inserts are excentric, so each position will affect the centerline angle of the door leaf.

The view below shows the effect on the centerline angle when rotating the inserts to different positions.



OPTIONAL 0° POSITIONING ACCESSORIES



-  Maxxfast CST 4.5x50
-  Fischer duopower 8x40
-  Ø8 mm

