





Why...

It offers a practical way to design a "European handle free" kitchen

- Innovative design
- Easier to clean
- Safety feature: no handles exceeding the doors
- Lower cost than traditional handles

Pourquoi...

Il offre un moyen pratique de concevoir une cuisine "Européenne sans poignée"

- Conception innovatrice
- Plus facile à nettoyer
- Caractéristique sécurité: aucune poignée dépassant les portes
- Coûts inférieur aux poignées traditionnelles

Por qué...

Oferece un método práctico para diseñar una cocina a la Europea sin manijas o agarraderas.

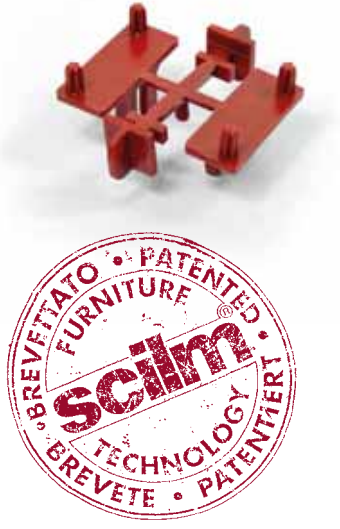
- Diseño innovador
- Más fácil de limpiar
- Elemento de seguridad: no existen manijas que sobresalgan de las puertas
- Cuesta menos que las manijas tradicionales





NEW QUICK-FIXING SUPPORT GOLA PROFILE

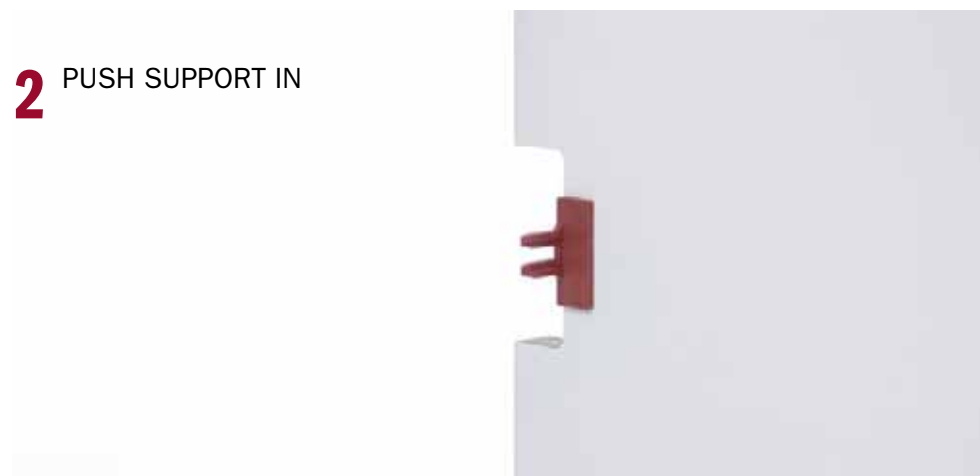
40



1 DOWELED SUPPORT



2 PUSH SUPPORT IN



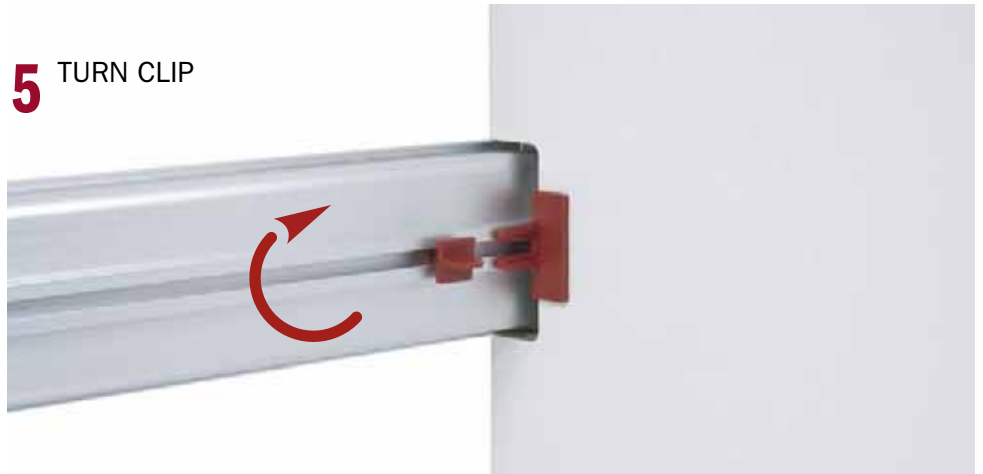
3 ADD "GOLA" PROFILE



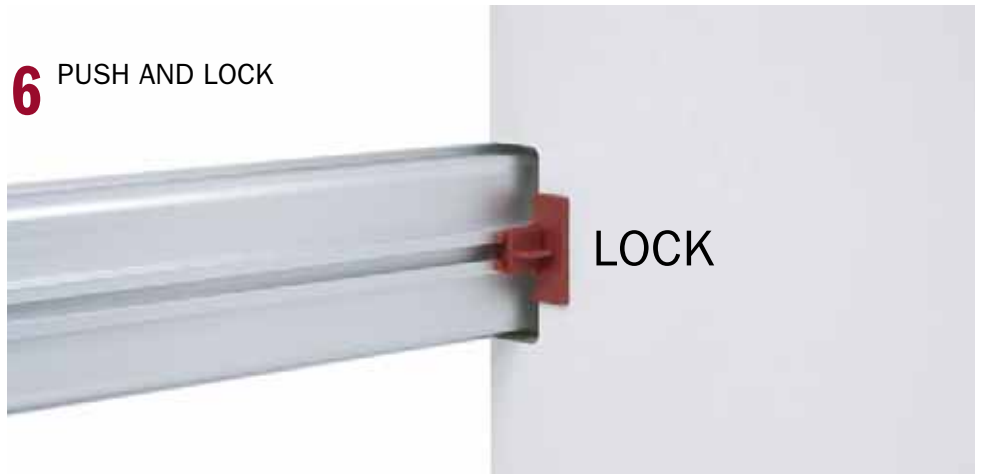
4 ADD FIXING CLIP



5 TURN CLIP



6 PUSH AND LOCK



8007

Horizontal C shape
"GOLA" PROFILES
for application
inbetween the drawers

Technical Specifications...

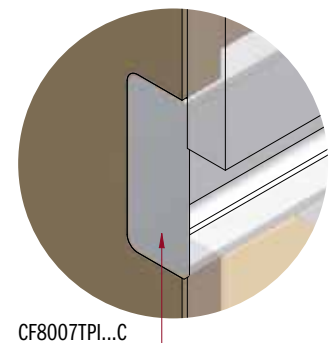
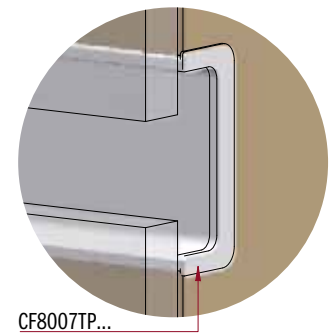
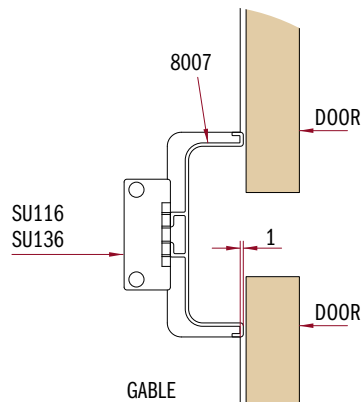
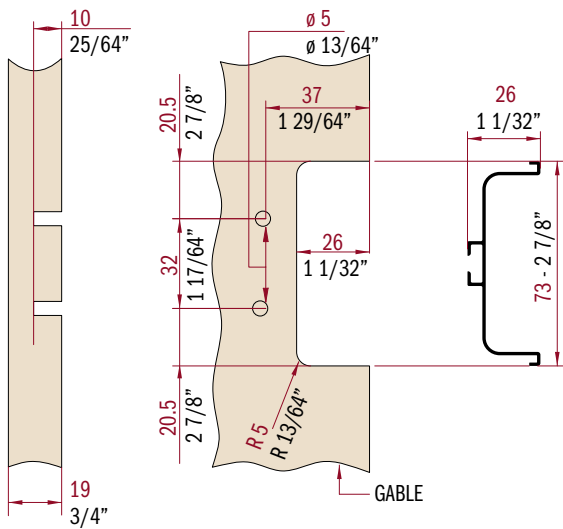
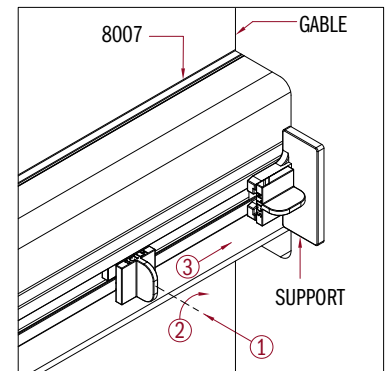
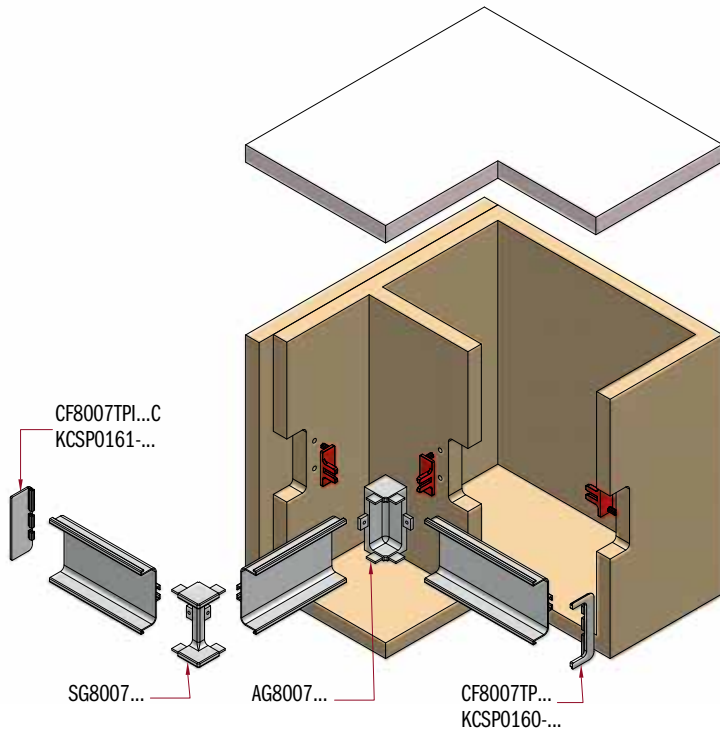
- Material: Aluminum
- Performance: Aluminum extrusion with high quality anodized finishes
- Environment: 100% recyclable materials

Spécifications Techniques...

- Matériel: Aluminium
- Performance: Extrusion d'aluminium avec finitions anodisées de haute qualité
- Environnement: Matériaux 100% recyclables

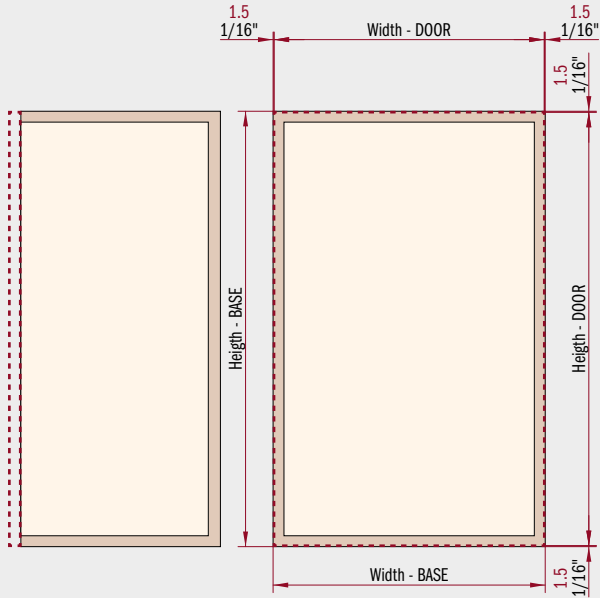
Especificaciones Técnicas...

- Material: Aluminio
- Rendimiento: Extrusión de aluminio con acabados anodizado de alta calidad
- Medio Ambiente: Materiales 100% reciclables



How to calculate the door's dimensions

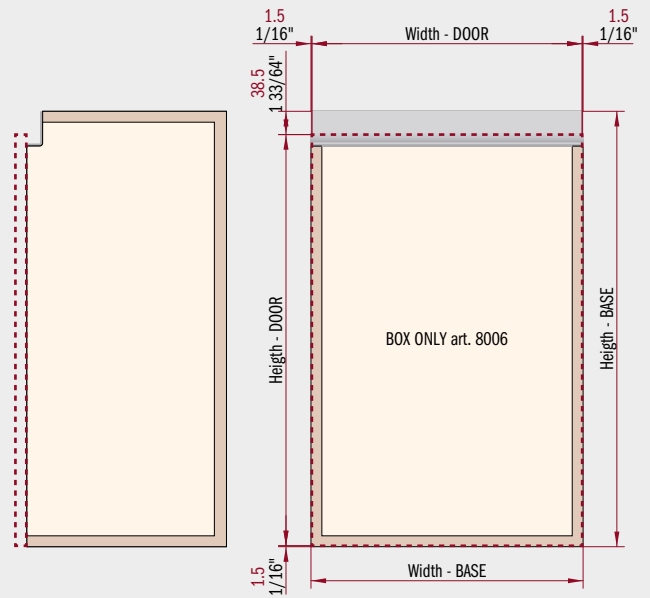
regular box



DOOR CALCULATION :

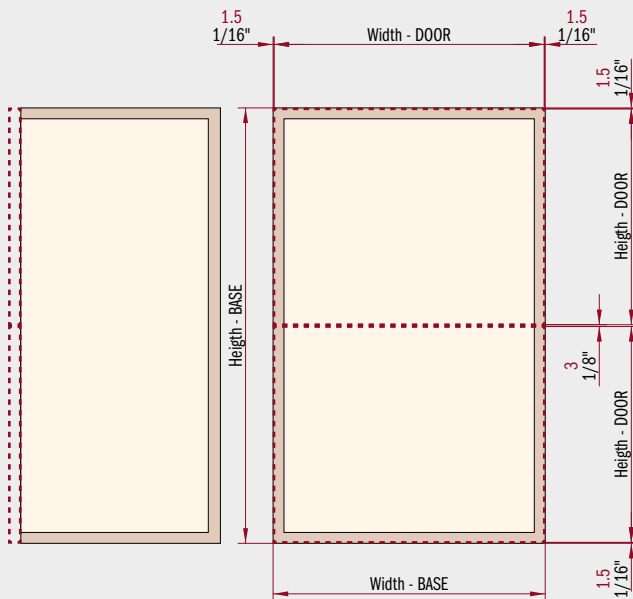
H door = Height base - 3mm , H door = Height base - 1/8"
 W door = Width base - 3mm , W door = Width base - 1/8"

box with "GOLA PROFILE"



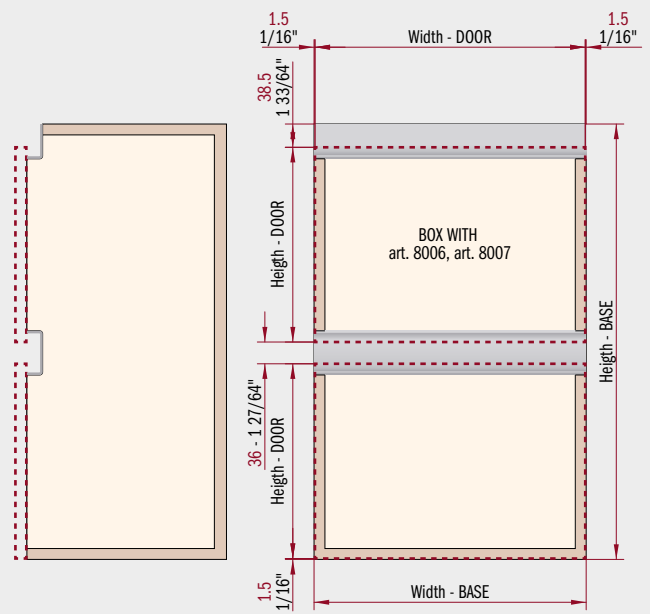
DOOR CALCULATION :

H door = Height base - 40mm , H door = Height base - 1 37/64"
 W door = Width base - 3mm , W door = Width base - 1/8"



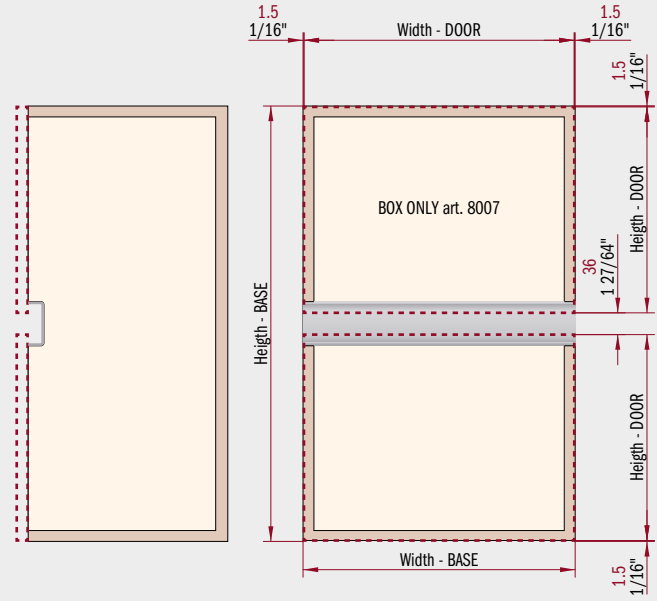
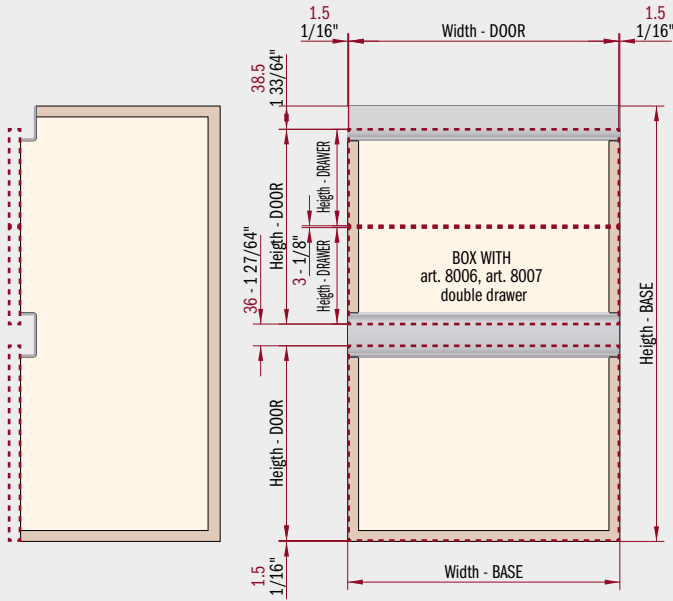
DOOR CALCULATION :

H door = (Height base - 6mm) / 2 , H door = (Height base - 5/64") / 2
 W door = Width base - 3mm , W door = Width base - 1/8"



DOOR CALCULATION :

H door = (Height base - 76mm) / 2 , H door = (Height base - 2 63/64") / 2
 W door = Width base - 3mm , W door = Width base - 1/8"

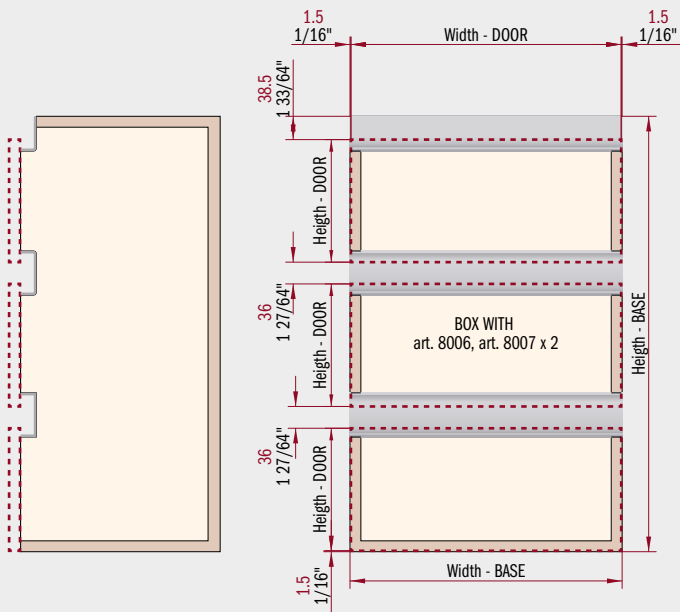


DOOR and DRAWER CALCULATION :

H door = (Height base - 76mm) / 2 , H door = (Height base - 2 63/64") / 2
 H drawer = (H door - 3) / 2 , H drawer = (H door - 1/8") / 2
 W door/drawer = Width base - 3mm , W door/drawer = Width base - 1/8"

DOOR CALCULATION :

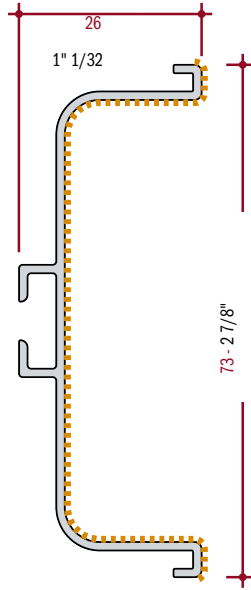
H door = (Height base - 39mm) / 2 , H door = (Height base - 1 17/32") / 2
 W door = Width base - 3mm , W door = Width base - 1/8"



DOOR CALCULATION :

H door = (Height base - 112mm) / 3 , H door = (Height base - 4 13/32") / 3
 W door = Width base - 3mm , W door = Width base - 1/8"

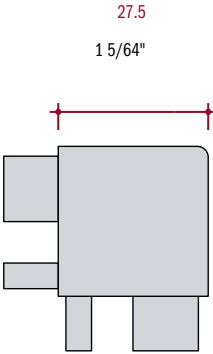
8007 - Perfil Gola C



AG8007 - Ángulo esquinero interno

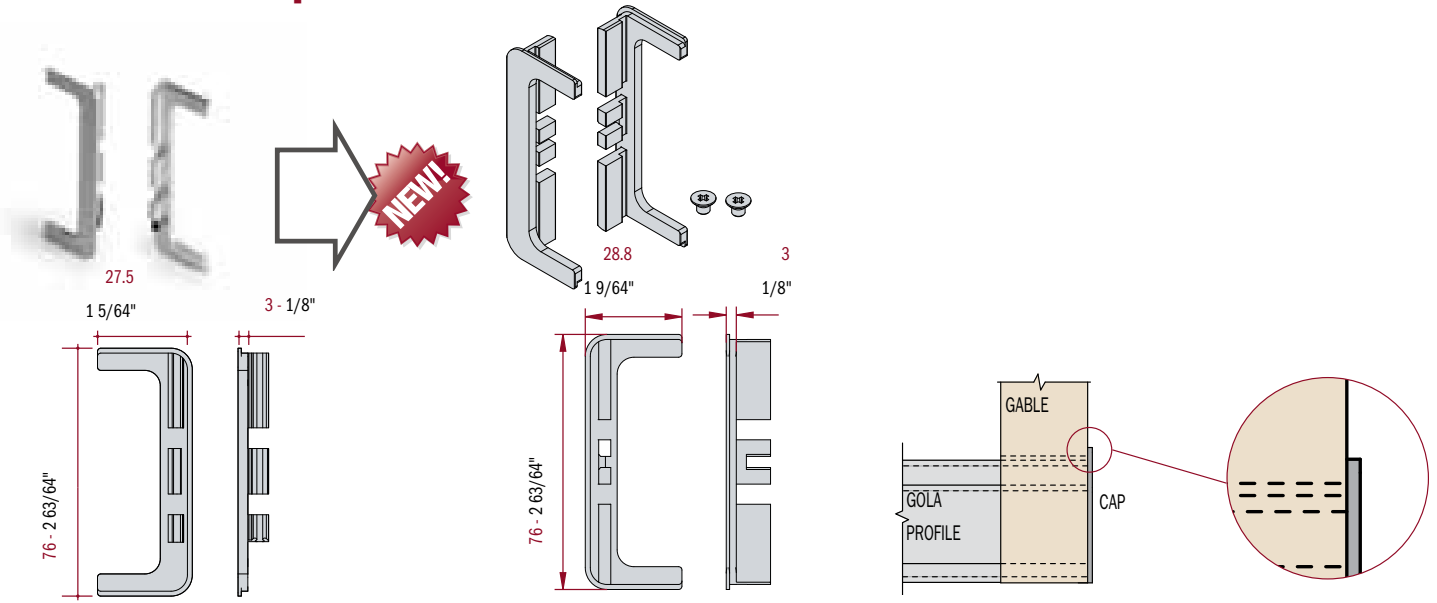


SG8007 - Ángulo externo

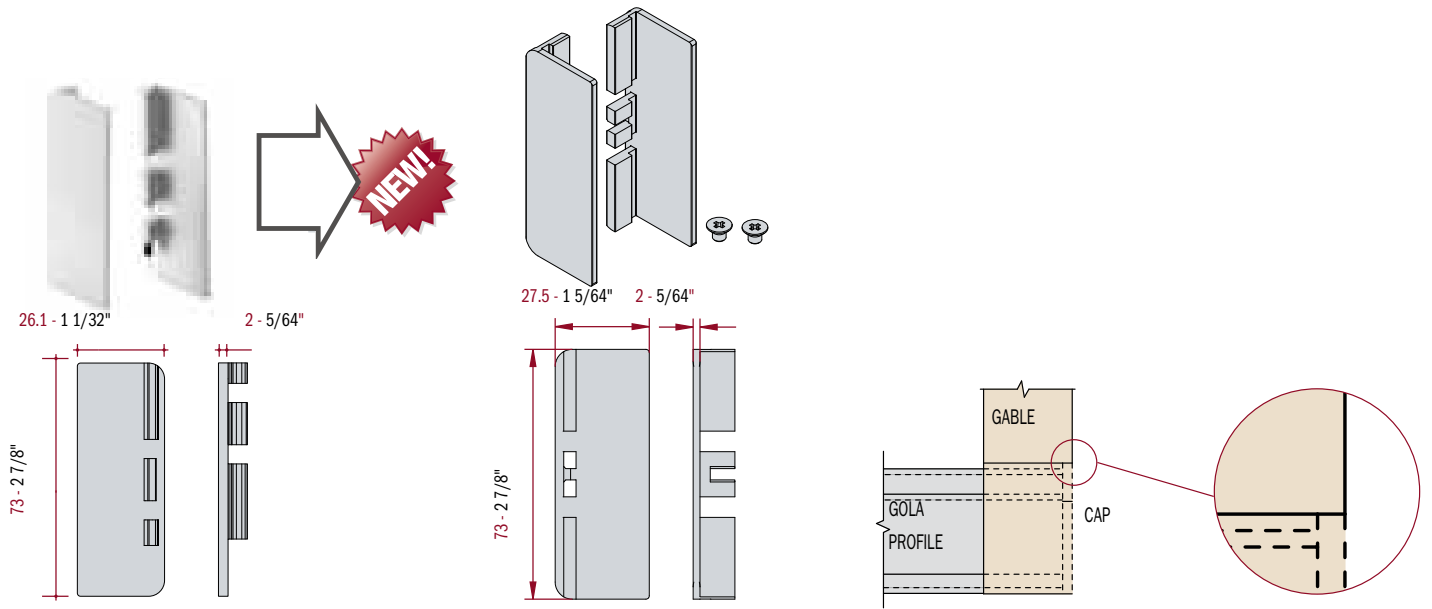


27.5
1 5/64"

CF8007TP - Tapas abiertas



CF8007TPI



SU116

SUPPORT FOR "GOLA" PROFILES
8006 - 8007 - 8021 - 8022
(SCREWED)

SUPPORT POUR PROFILÉ "GOLA"
8006 - 8007 - 8021 - 8022
(VISSÉ)

SOPORTES PARA GOLA 8006 -
8007 - 8021 - 8022 (PARA
ATORNILLAR)

