




## KRABY SYSTEM DROP DOWN

KRABY is an oil stay to open drop down doors. It has been conceived to be installed by using standard automatic drilling processes. It is available in three different lengths and with a universal "Zero" N strength, to suit any door dimension and weight. It boasts smooth and elegant movement to gently open the doors downwards. The opening angle adjustment can be carried out manually through the rotary knob, thus allowing to align nearby doors easily. The adjustment of the piston base plate within the "U" slot of the side bracket can change the door opening. KRABY grants a quick and easy installation, with no need to tension the strength. Directly installed on solid or wider aluminium frame doors and wide range of special adapters to suit small aluminium door profiles.

All the parts (stay excluded) are in zinc alloy nickel plated and plastic.

*PATENTED*   
Certificates available on request.

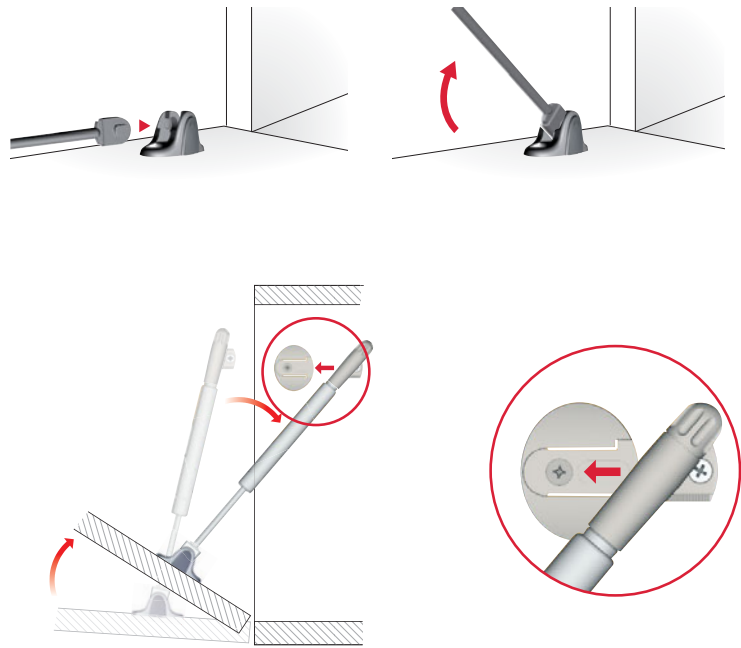
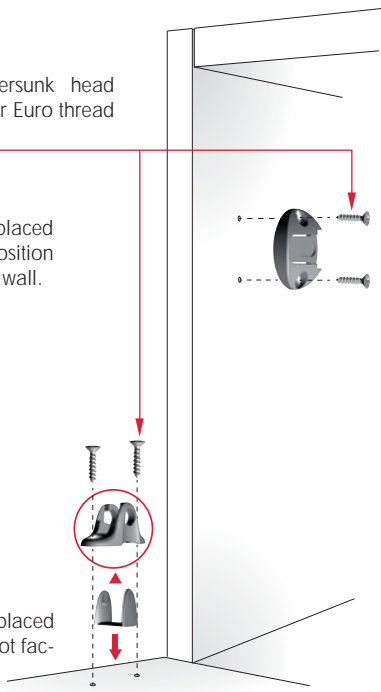
### INSTALLATION

recommended fixing countersunk head wood screws Ø3,5x16 mm or Euro thread screws

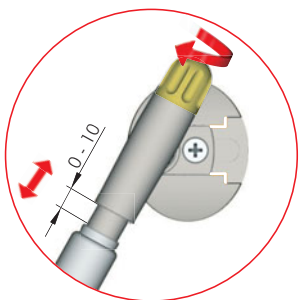
**VERY IMPORTANT**  
The side bracket has to be placed with the slot in horizontal position and the open end facing the wall.



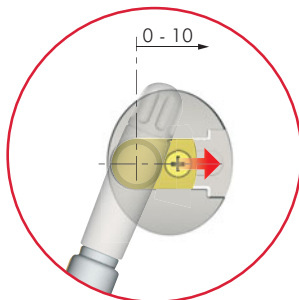
**VERY IMPORTANT**  
The door bracket has to be placed in vertical position with the slot facing forwards.



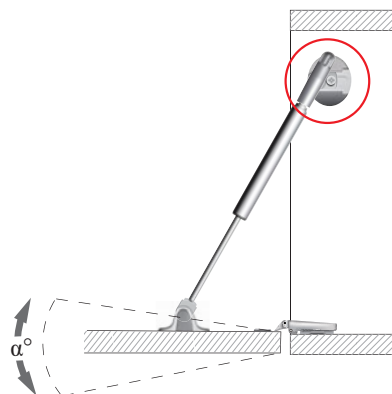
### ADJUSTMENTS



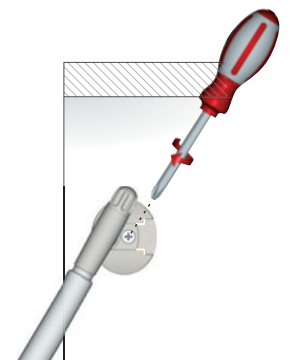
**INCREASE OPENING ANGLE**  
Rotate the rotary knob.



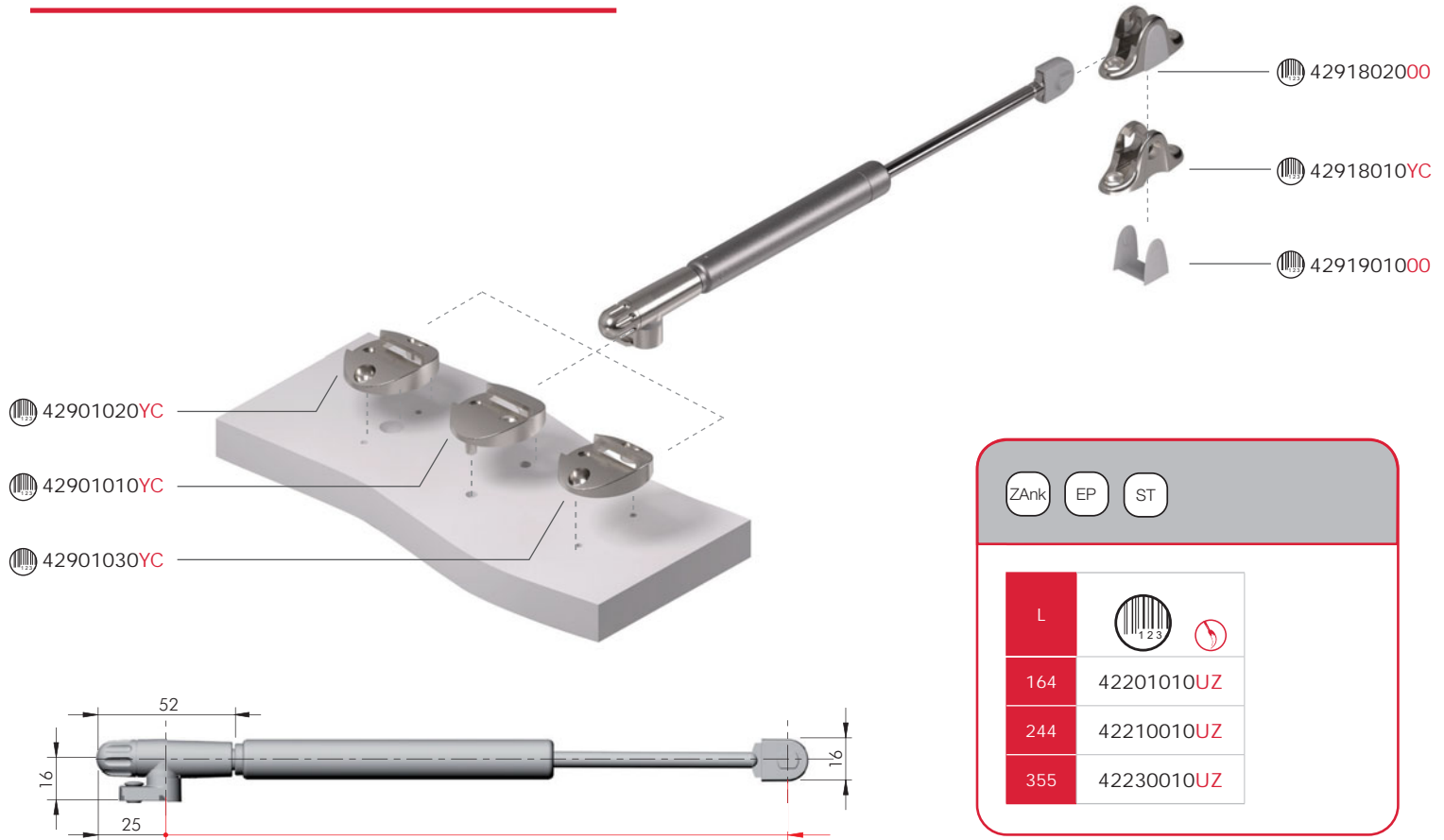
**REDUCE OPENING ANGLE**  
Move forward and backward the piston base plate in the bracket slot.



### LOCKING



 DROP DOWN



Number of stays chart - L 244 mm

Rev. 02

h	Door weight (Kg)												
	1	2	3	4	5	6	7	8	9	10	11	12	13
280 - 324	2 x Kraby						3 x Kraby					4 x Kraby	
325 - 424	2 x Kraby						3 x Kraby					4 x Kraby	
425 - 500	2 x Kraby						3 x Kraby					4 x Kraby	





## DROP DOWN DRILLING PLANS WITH KIMANA HINGE


KRABY CONFIGURATOR:

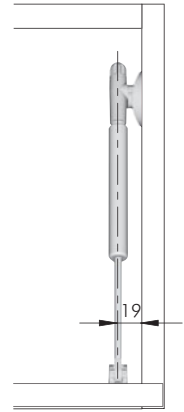
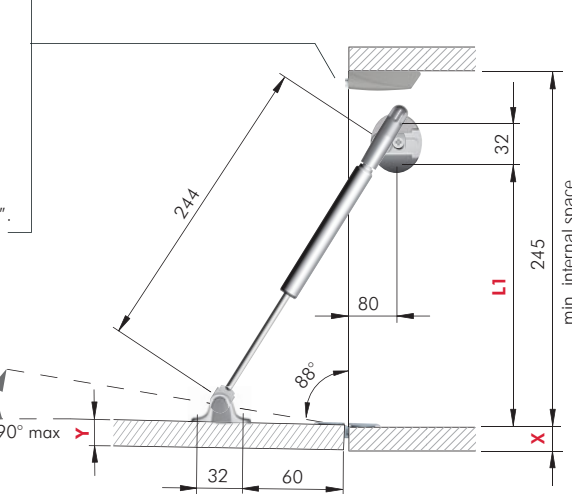
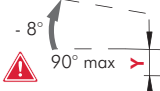


L 244 mm

-  Magnet K Lock visible or invisible
-  K Push Tech 20 mm  
- With magnet  
- Visible or invisible

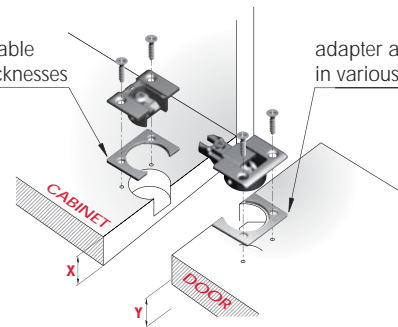
For details refer to section "PUSH CATCHES & MAGNETIC CATCHES".

Overcrossing 90° door opening angle, it negatively effects the Kimana hinges.  90° max



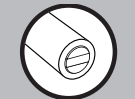
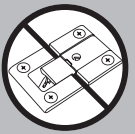
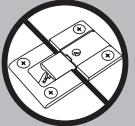
Cabinet (X)		Door (Y)		L1
16 mm	4 mm	16 mm	2 mm	197
16 mm	4 mm	19 mm	-	199
18 mm	2 mm	18 mm	-	197
19 mm	-	16 mm	2 mm	193
19 mm	-	19 mm	-	195
20 mm	-	20 mm	-	195

adapter available in various thicknesses



adapter available in various thicknesses

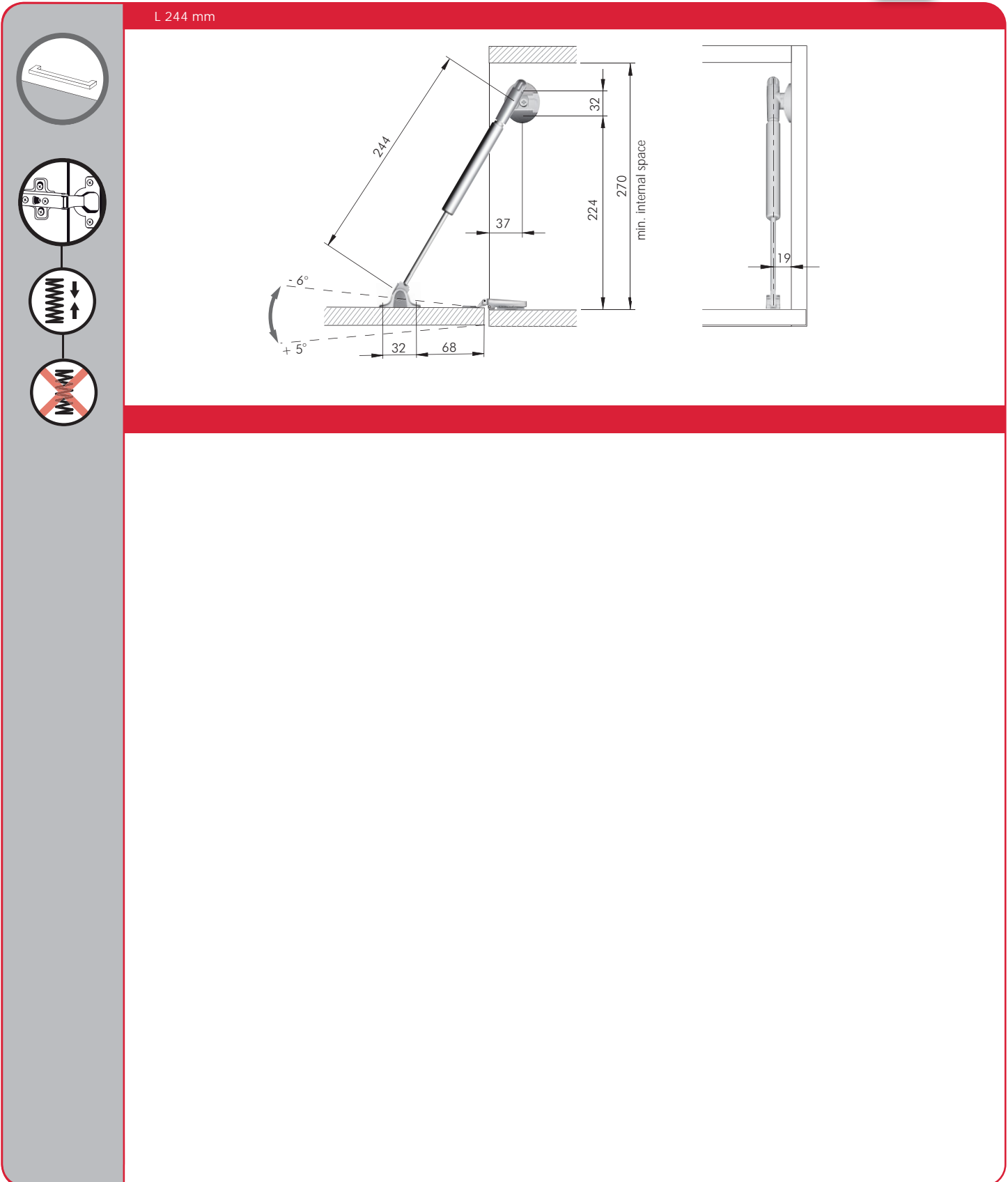
For Kimana and adapter details refer to section "HINGES".



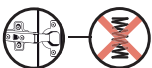


**DROP DOWN DRILLING PLANS WITH STANDARD HINGES**  
**OPENING WITH HANDLE**

KRABY CONFIGURATOR:



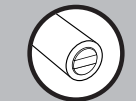
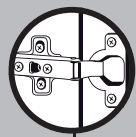
The dimensions of the drilling plans refer to carcasses which use **standard sprung hinges** and mounting plates 0 mm. Please note that the opening angle shown data is purely indicative. It varies with respect to the hinge brand and adjustment carried out.



Please note that in case of use of **unsprung hinges**, **magnet K Lock** is required. For details refer to section "PUSH CATCHES & MAGNETIC CATCHES".

## DROP DOWN DRILLING PLANS WITH STANDARD HINGES PUSH TO OPEN

KRABY CONFIGURATOR:

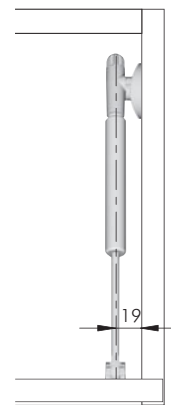
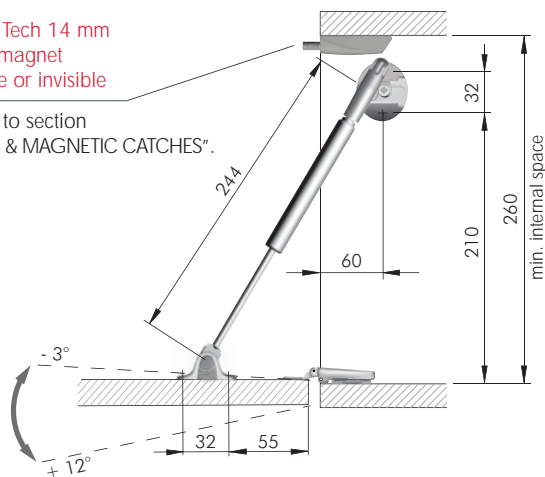


L 244 mm

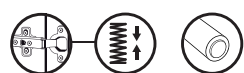


**K Push Tech 14 mm**  
- With magnet  
- Visible or invisible

For details refer to section  
"PUSH CATCHES & MAGNETIC CATCHES".



The dimensions of the drilling plan refer to carcasses which use **standard unsprung hinges** and mounting plates 0 mm. Please note that min and max opening angle shown data is purely indicative. It varies with respect to the hinge brand and adjustment carried out.



Please note that utilization with **standard sprung hinges** and **K Push Tech with buffer** is also possible. In such case, after the door is initially released by K Push Tech, a manual opening approx. 7cm is required (in order to win the spring resistance). Consequently, the door will automatically open to the fullest. For details refer to section "PUSH CATCHES & MAGNETIC CATCHES".

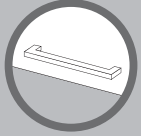


KRABY CONFIGURATOR:

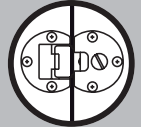


## DROP DOWN DRILLING PLANS WITH FLAP HINGE

L 244 mm




Magnet K Lock  
visible or invisible

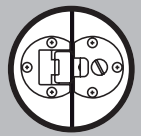
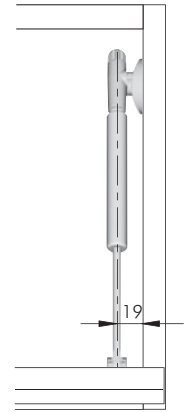
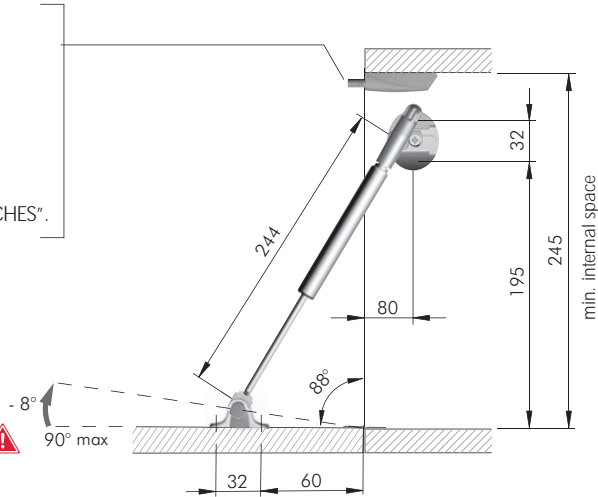


K Push Tech 20 mm  
- With magnet  
- Visible or invisible

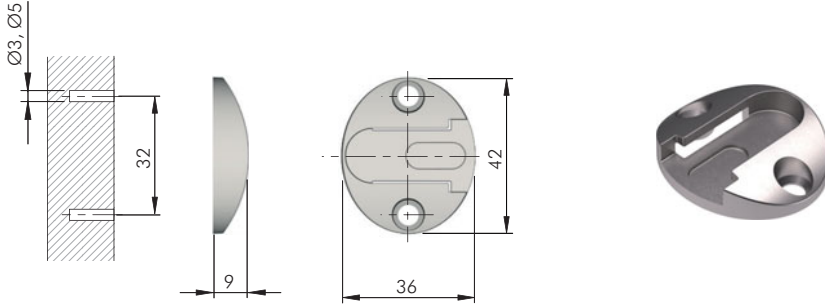
For details refer to section  
"PUSH CATCHES & MAGNETIC CATCHES".



Overcrossing 90° door opening  
angle, it negatively effects the  
flap hinges. 



## KRABY BRACKETS



=  $\varnothing 3, \varnothing 5$  mm

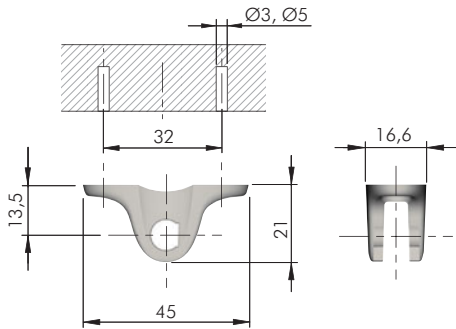
ZA



= 100 pcs.



42901030YC



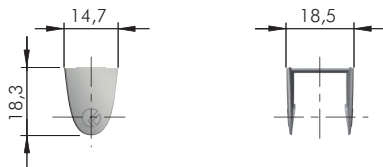
= Ø 3, Ø 5 mm

ZA

= 100 pcs.



42918010YC



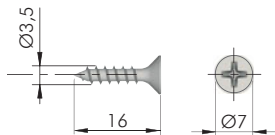
EPg

= 100 pcs.



4291901000

## KRABY FIXING ACCESSORIES



= Ø 2,5 mm



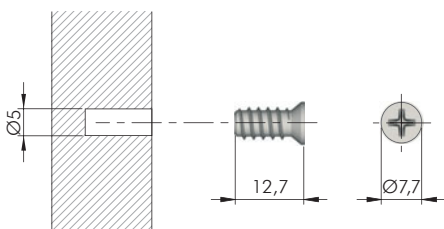
= PZ2

ST

= 10.000 pcs.



60101390YA



= Ø 5 mm



= PZ2

ST

= 5000 pcs.



60501050YA