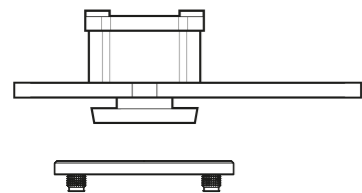


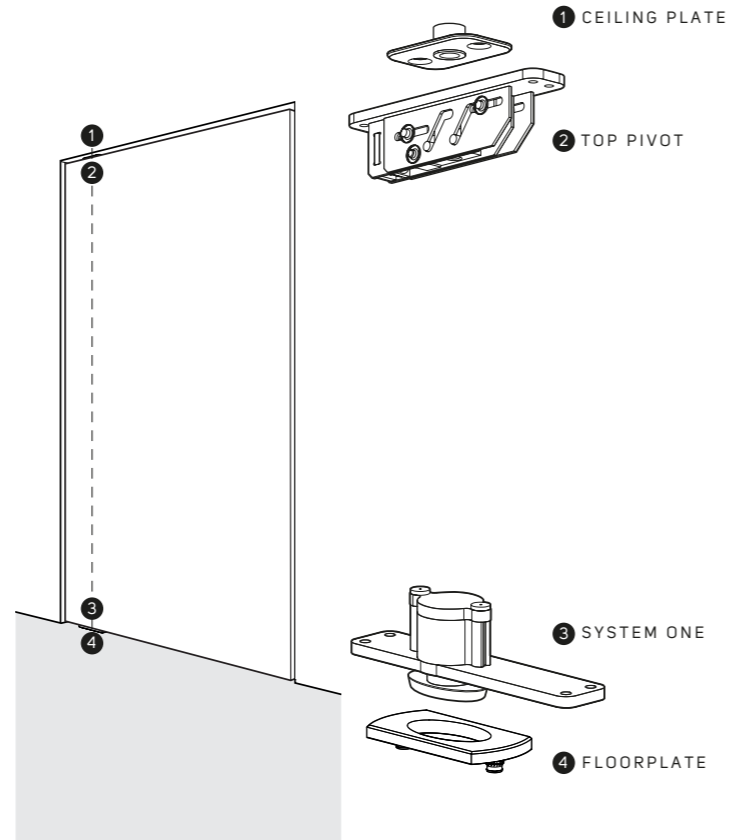
## MOUNTING MANUAL

# FritsJurgens®

SYSTEM ONE

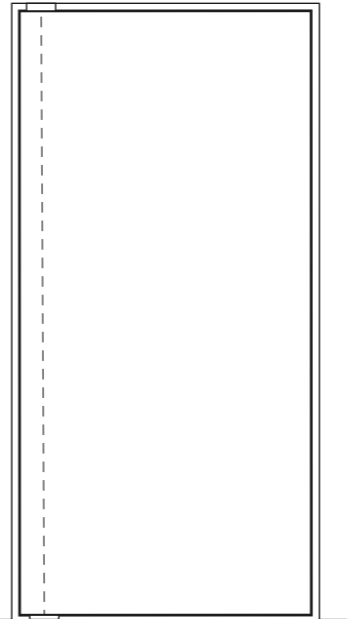


### COMPONENTS SYSTEM ONE



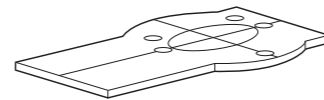
### GAPS AROUND THE DOOR

TOP SEAM  
MIN. 4MM  
MAX. 10MM

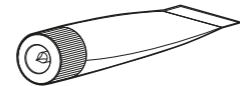


BOTTOM SEAM  
= 11MM

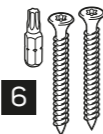
### MOUNTING KIT



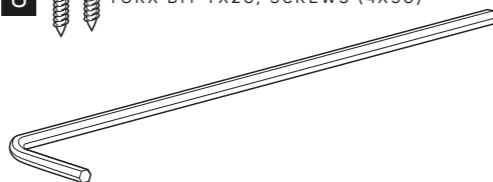
1 2 3 FITTING TEMPLATE



4 6 FITTING ADHESIVE

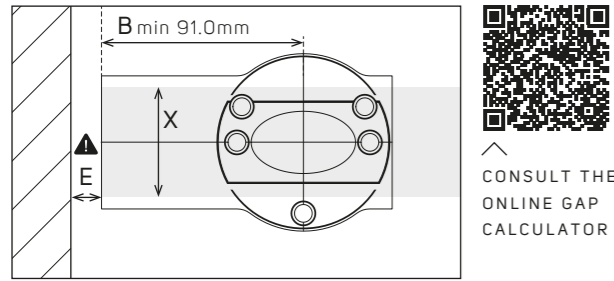


6 TORX BIT TX20, SCREWS (4X50)



8 A ALLEN WRENCH

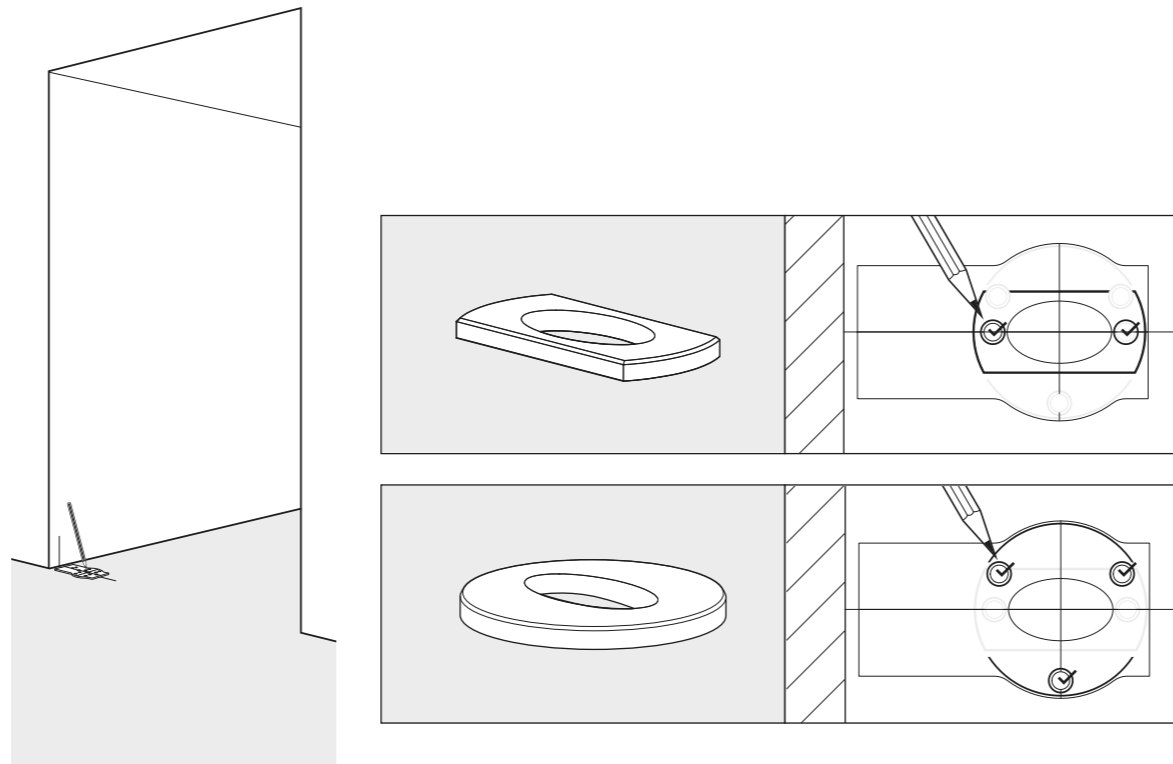
# GAP CALCULATOR



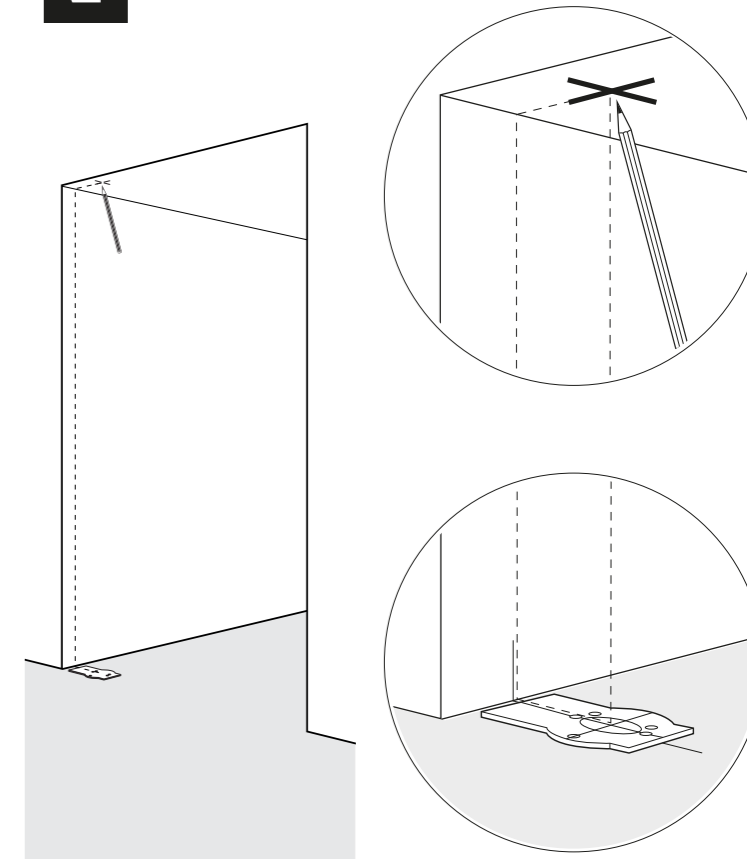
B	40	50	60	70	80	90	100	X
91	4	5	7	9	10	12	15	
250	3	3	4	4	5	6	7	
500	2	3	3	3	4	4	5	
1000	2	2	3	3	3	3	3	
1500	2	2	2	2	2	3	3	
2000	2	2	2	2	2	2	3	

**E** MINIMUM GAP BETWEEN DOOR AND WALL (IN MM)  
**B** DISTANCE PIVOT POINT TO BEGINING EDGE OF DOOR (IN MM)  
**X** DOOR THICKNESS (IN MM)

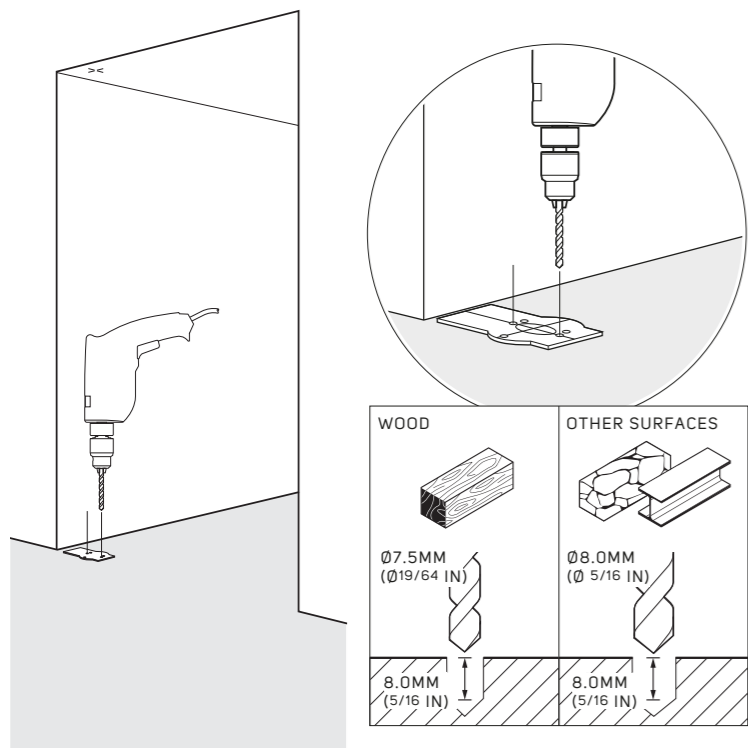
## 1 MOUNT THE FLOORPLATE



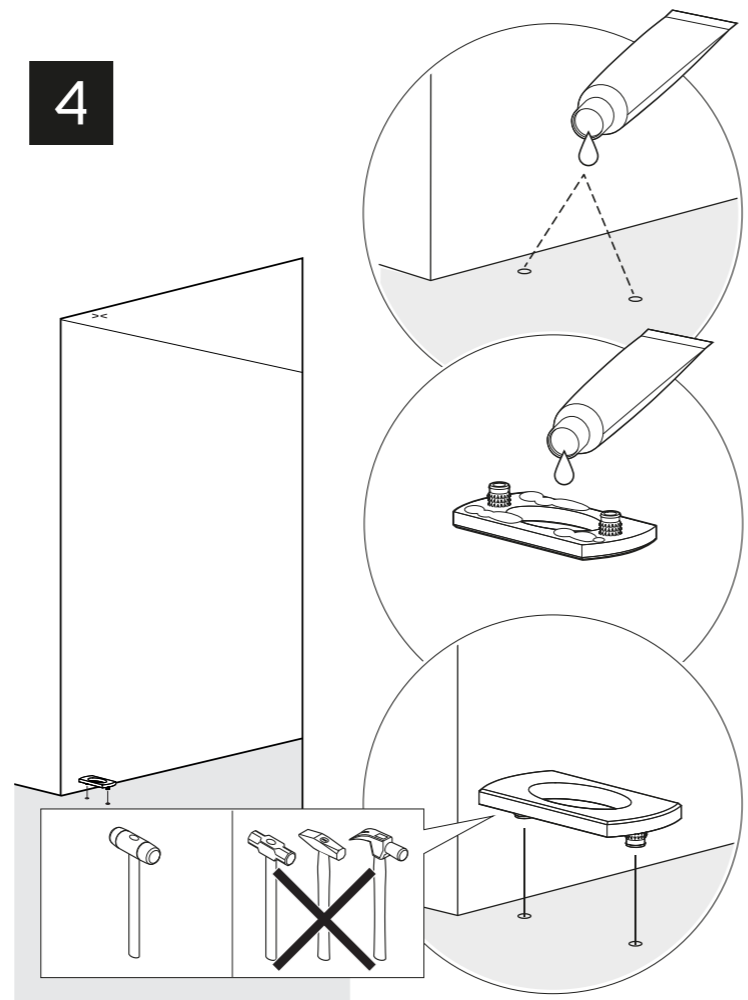
## 2



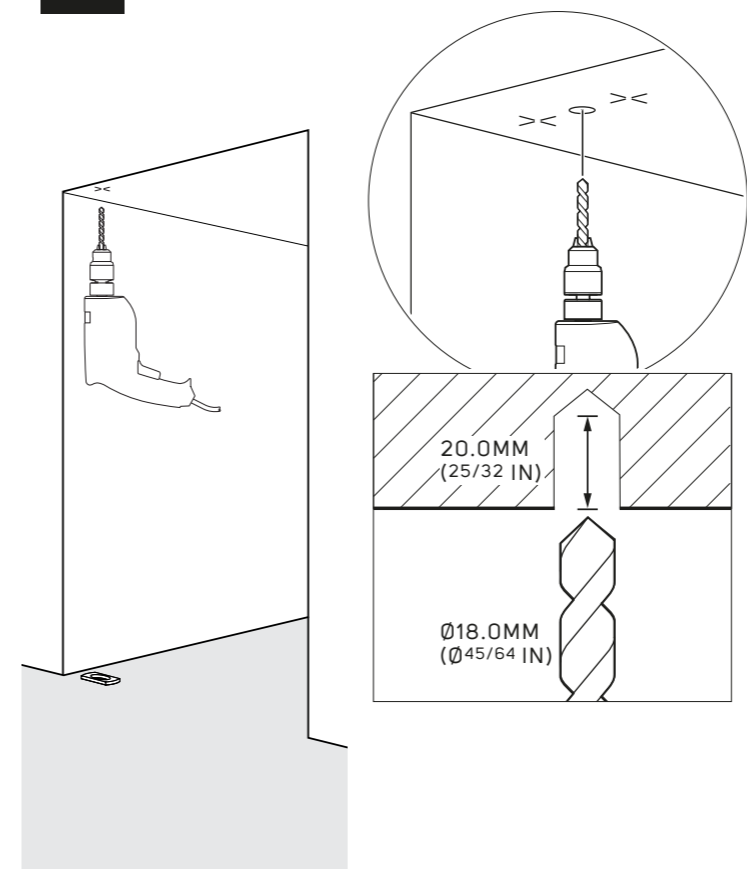
## 3



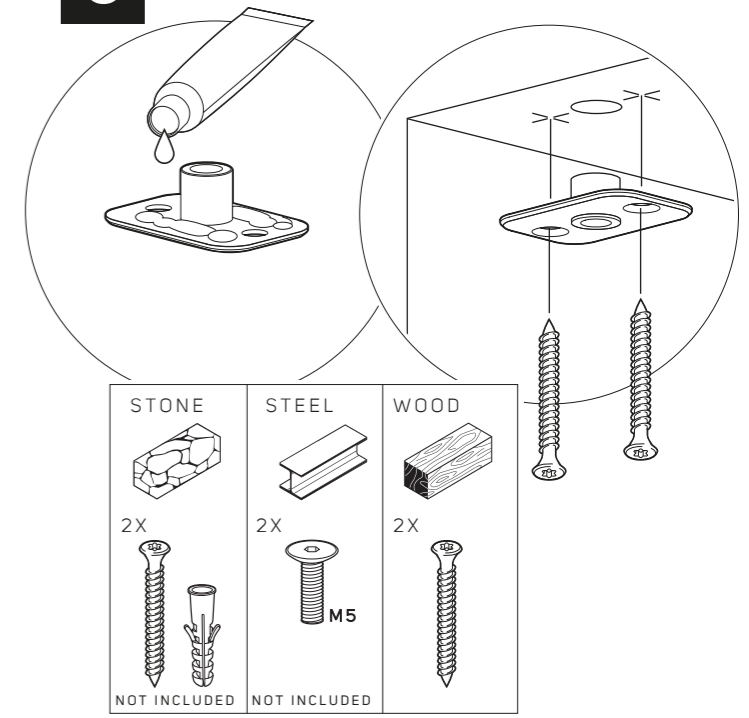
## 4

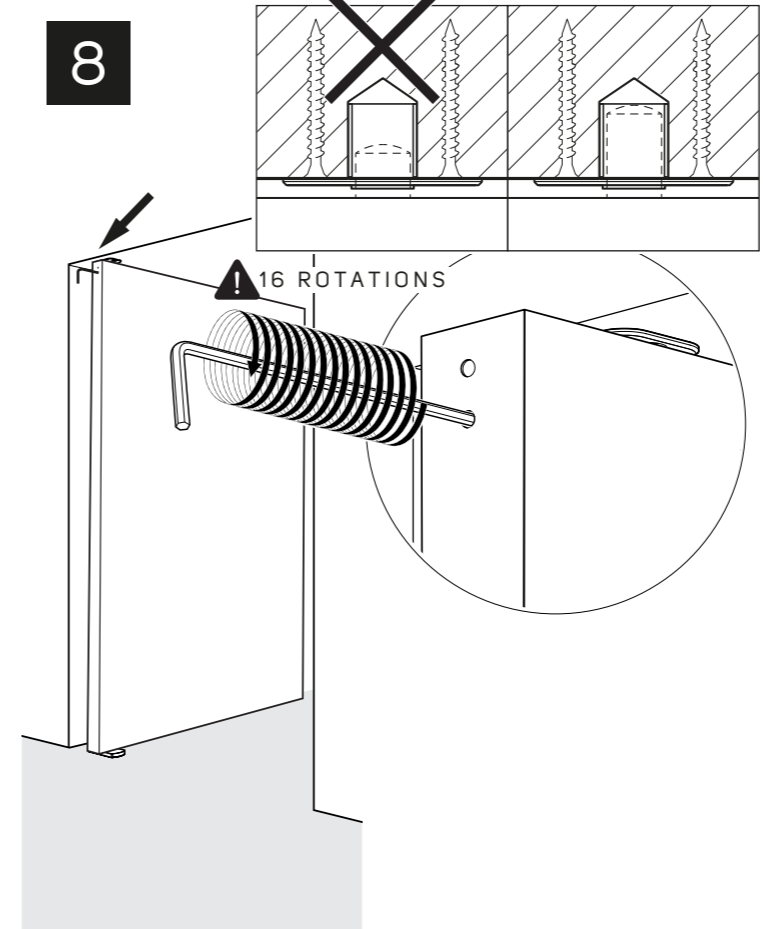
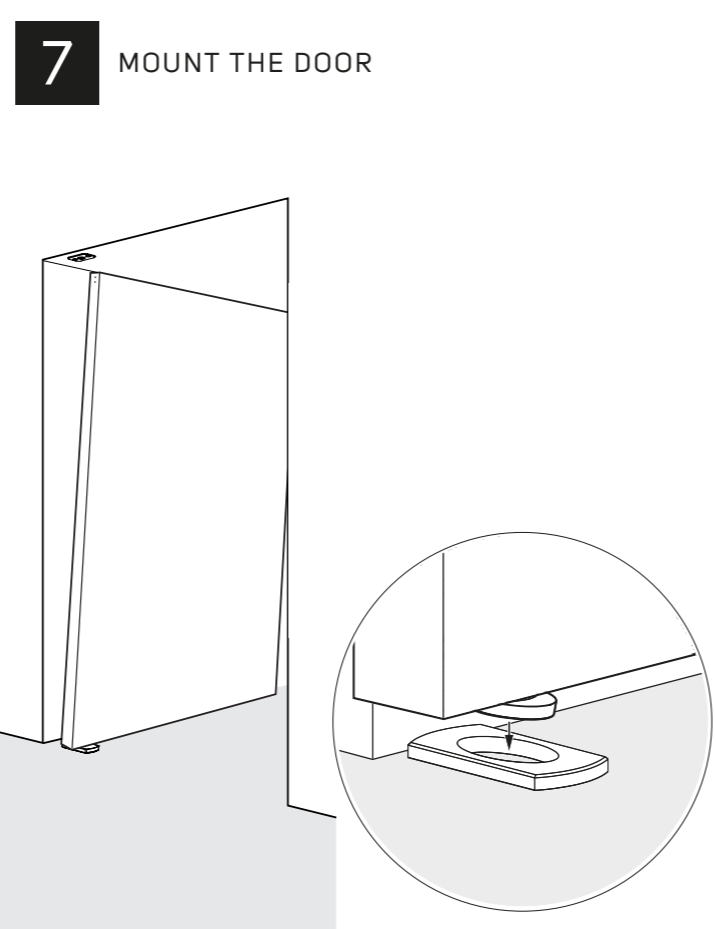
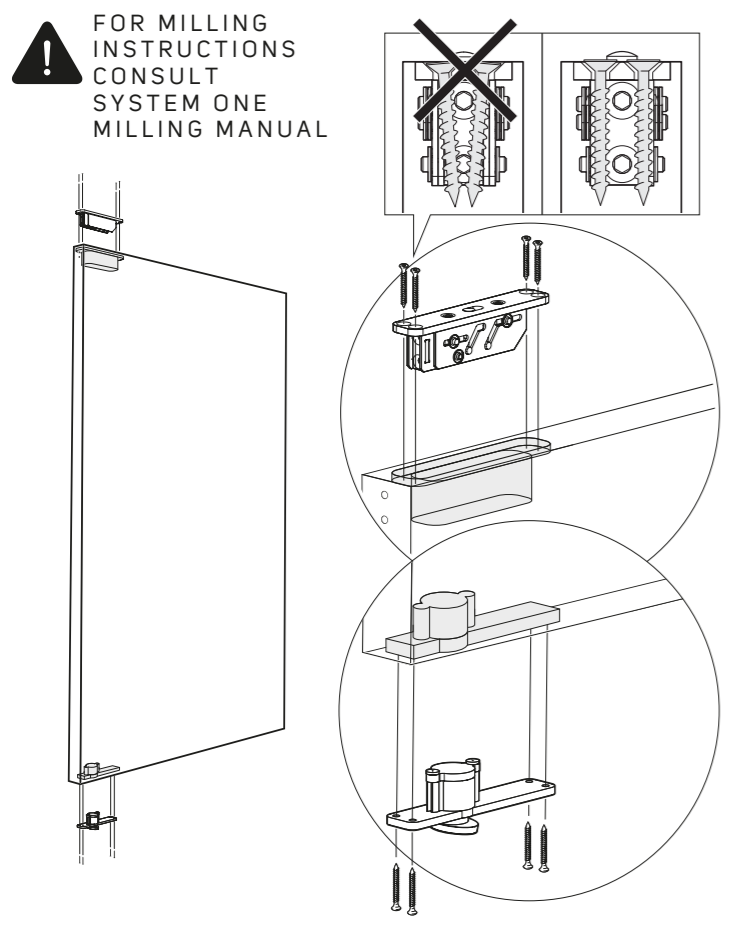


## 5 MOUNT THE CEILING PLATE



## 6





**A** FINETUNE THE CLOSING SEAM

