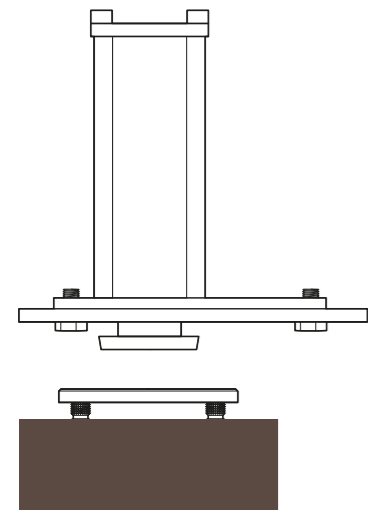
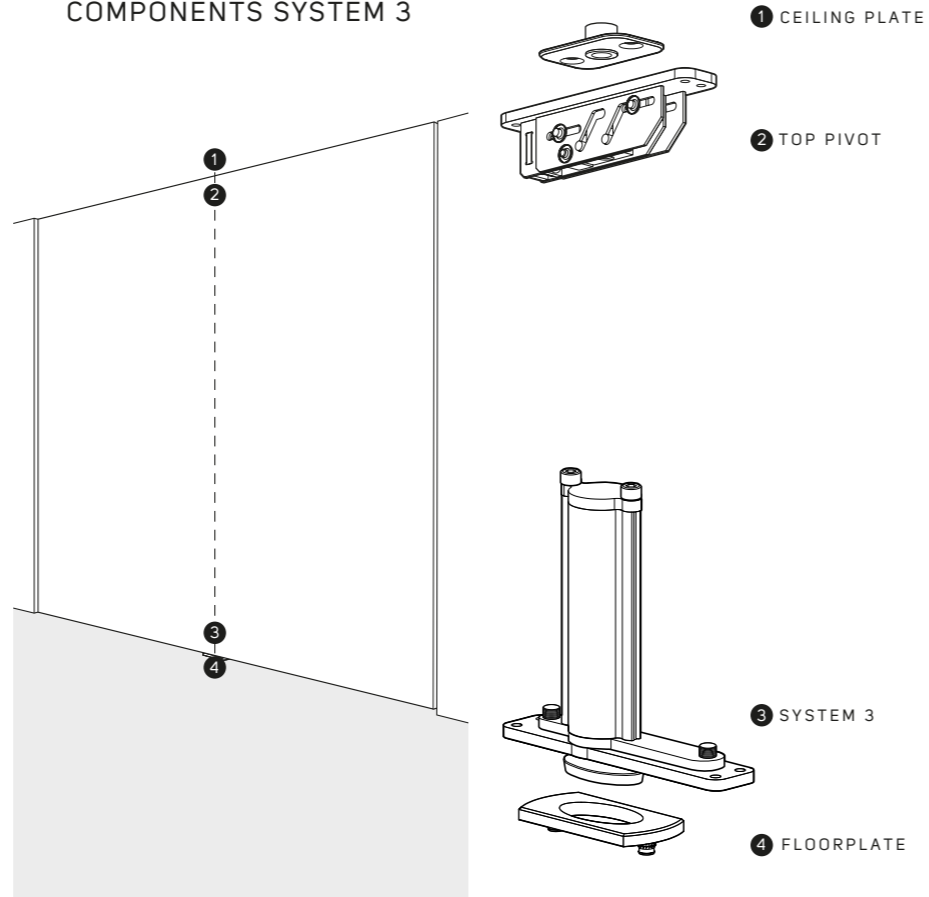


# MOUNTING MANUAL

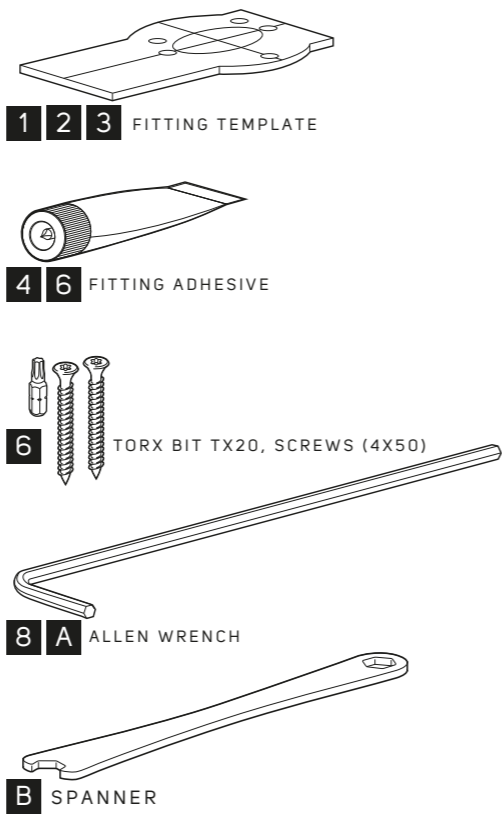
## SYSTEM 3



### COMPONENTS SYSTEM 3

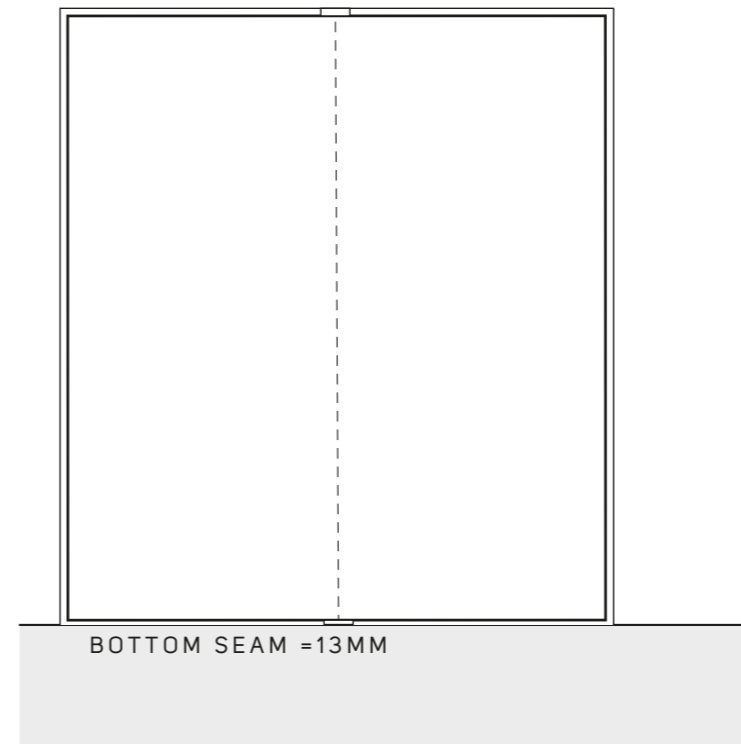


### MOUNTING KIT

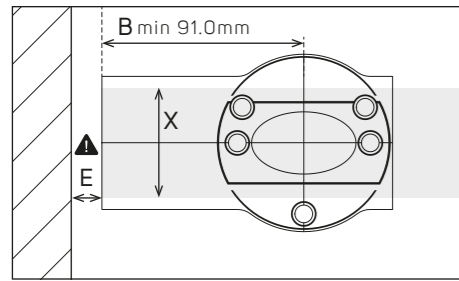


### GAPS AROUND THE DOOR

TOP SEAM  
MIN. 4MM  
MAX. 10MM



# GAP CALCULATOR

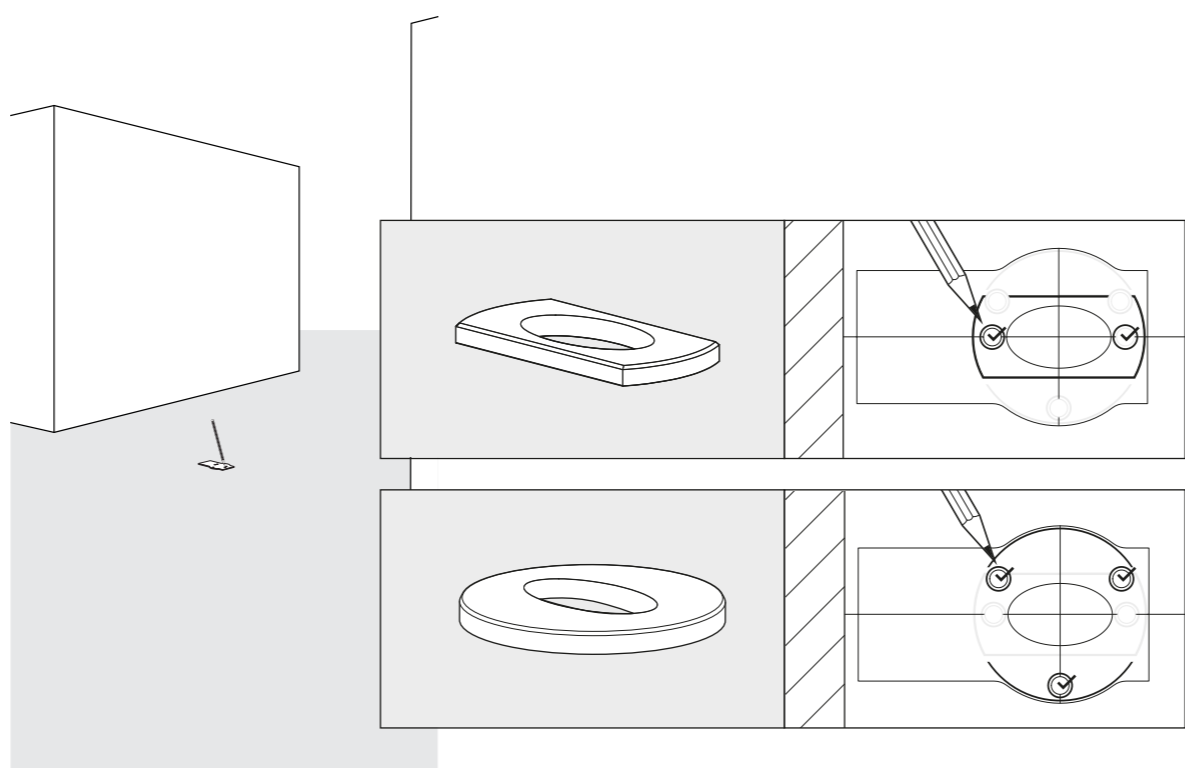


CONSULT THE ONLINE GAP CALCULATOR

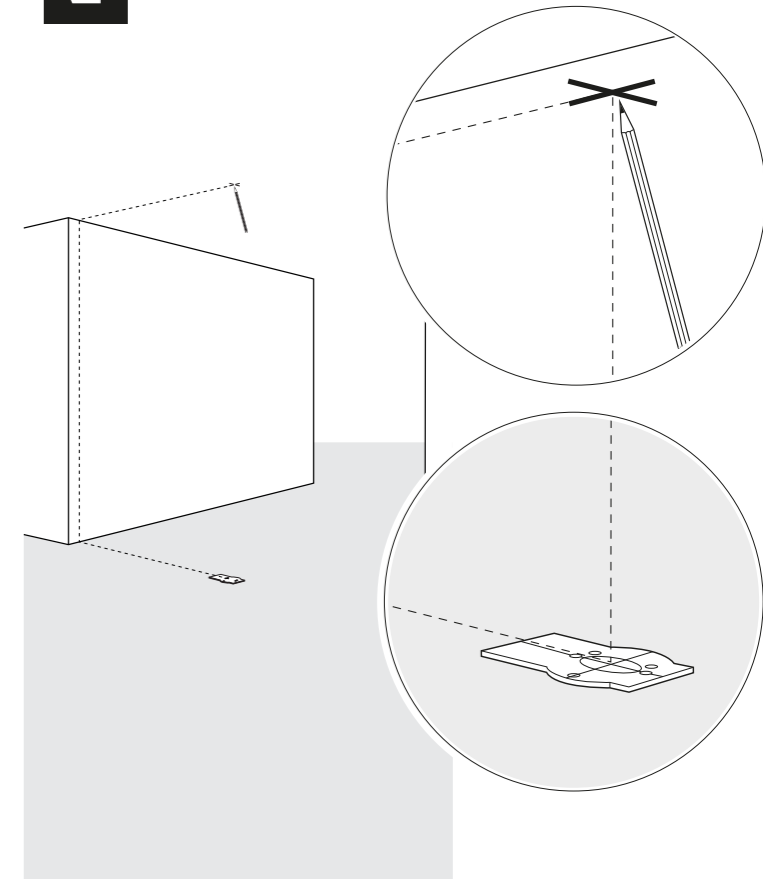
B	40	50	60	70	80	90	100	X
91	4	5	7	9	10	12	15	
250	3	3	4	4	5	6	7	
500	2	3	3	3	4	4	5	
1000	2	2	3	3	3	3	3	
1500	2	2	2	2	2	3	3	
2000	2	2	2	2	2	2	3	

**E** MINIMUM GAP BETWEEN DOOR AND WALL (IN MM)  
**B** DISTANCE PIVOT POINT TO BEGINING EDGE OF DOOR (IN MM)  
**X** DOOR THICKNESS (IN MM)

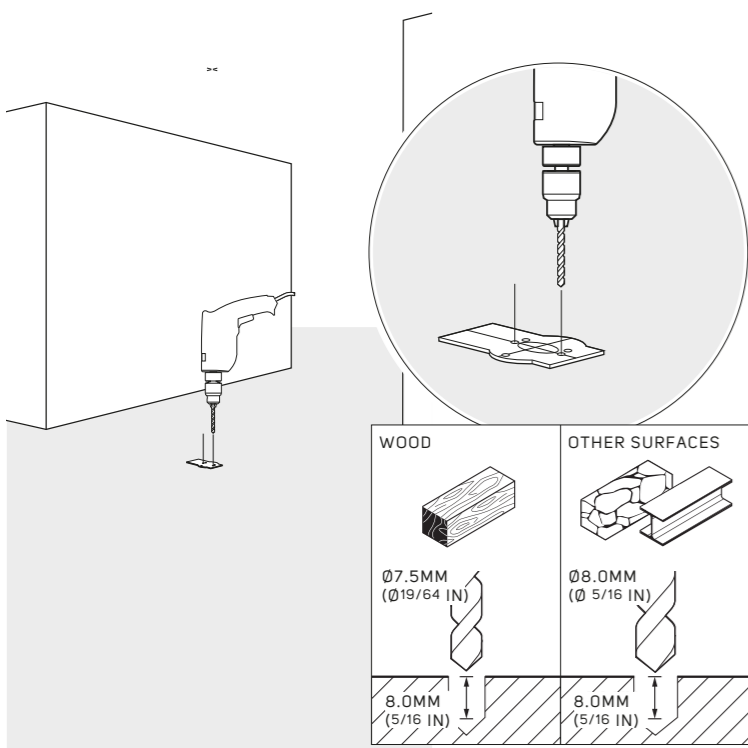
## 1 MOUNT THE FLOORPLATE



## 2

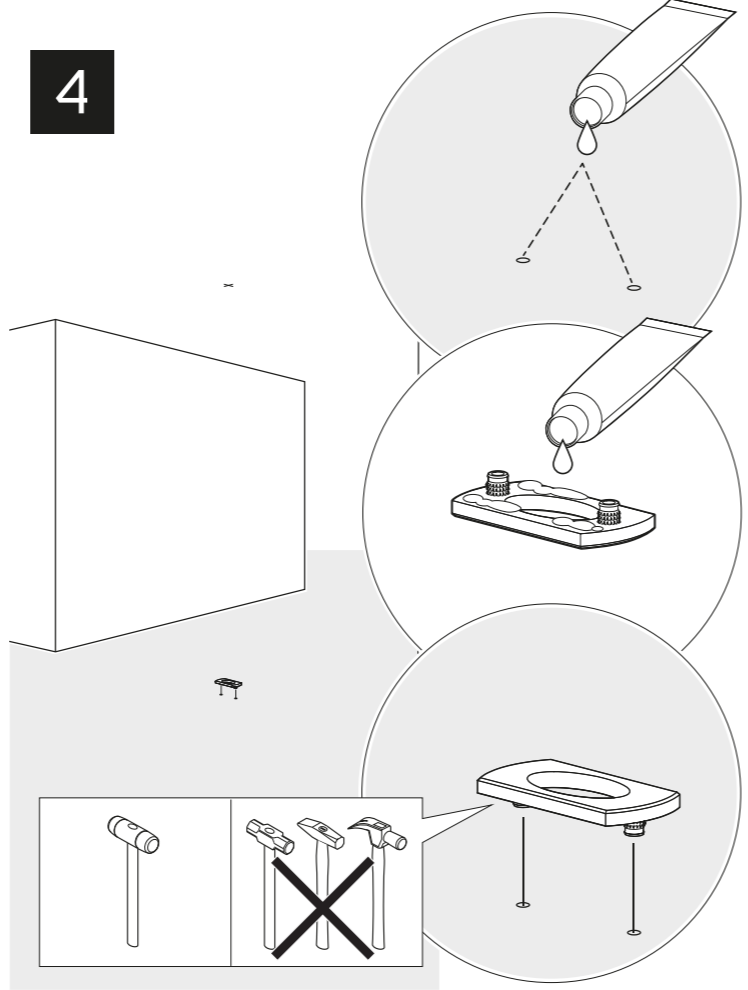


## 3

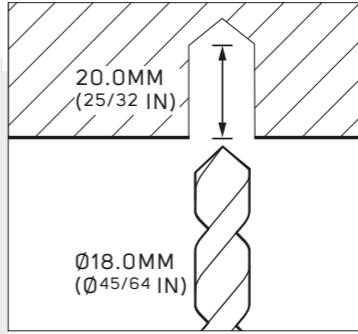
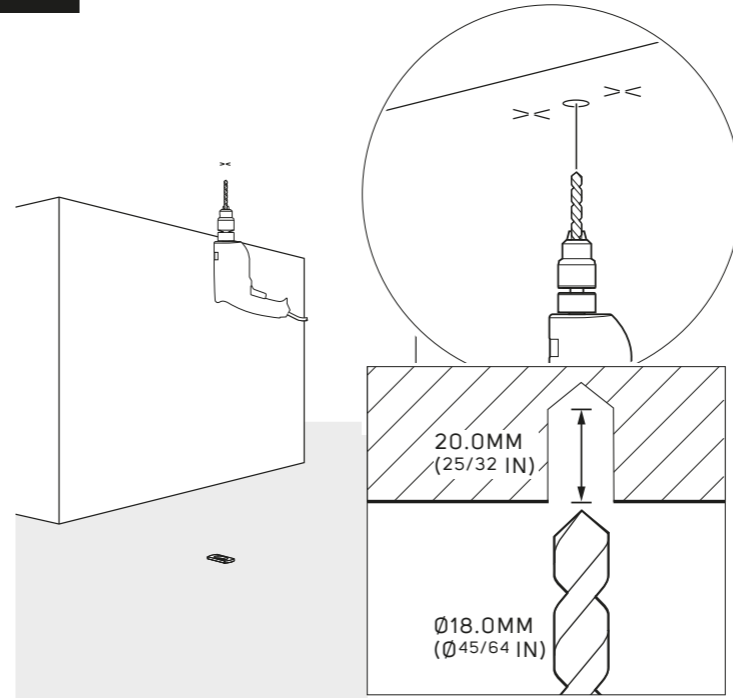


WOOD	OTHER SURFACES
Ø7.5MM (Ø19/64 IN)	Ø8.0MM (Ø 5/16 IN)
8.0MM (5/16 IN)	8.0MM (5/16 IN)

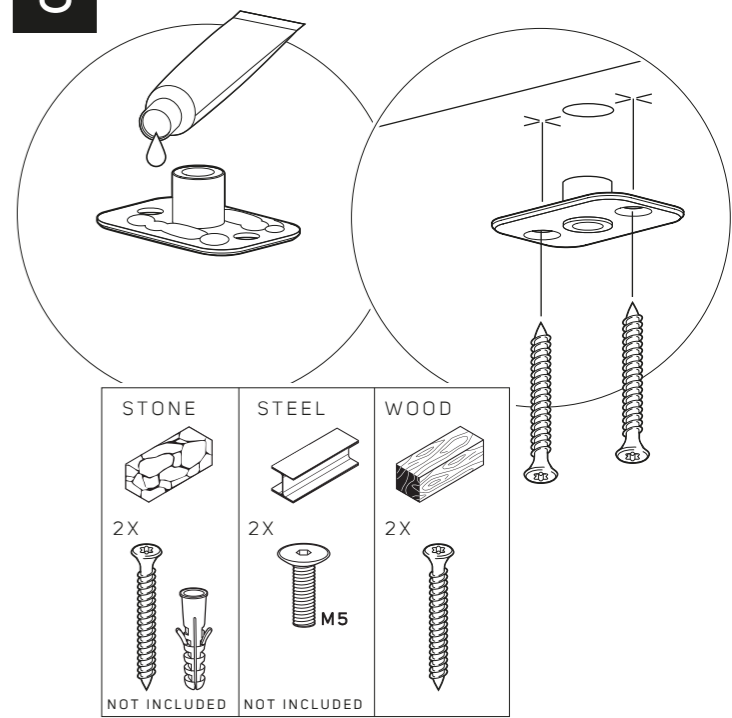
## 4




## 5 MOUNT THE CEILING PLATE

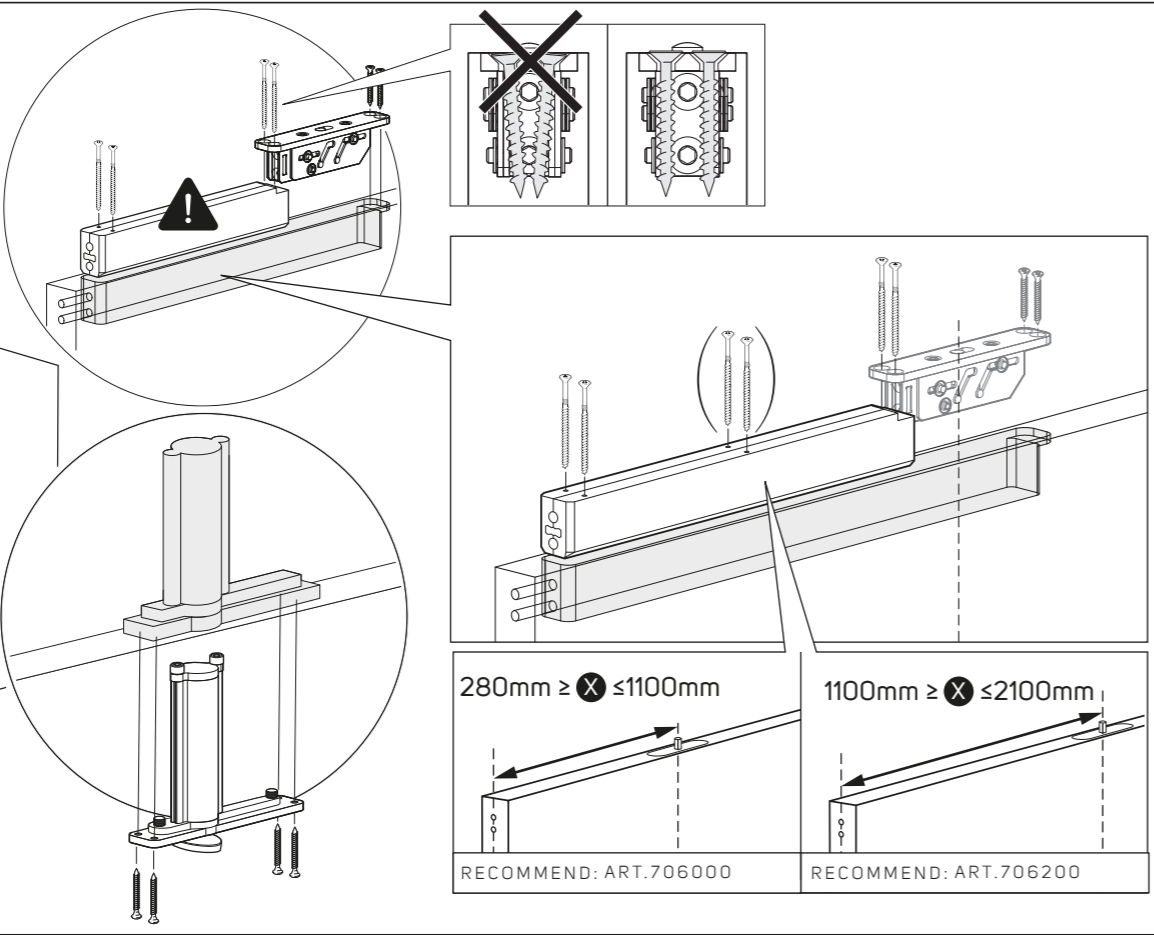


## 6

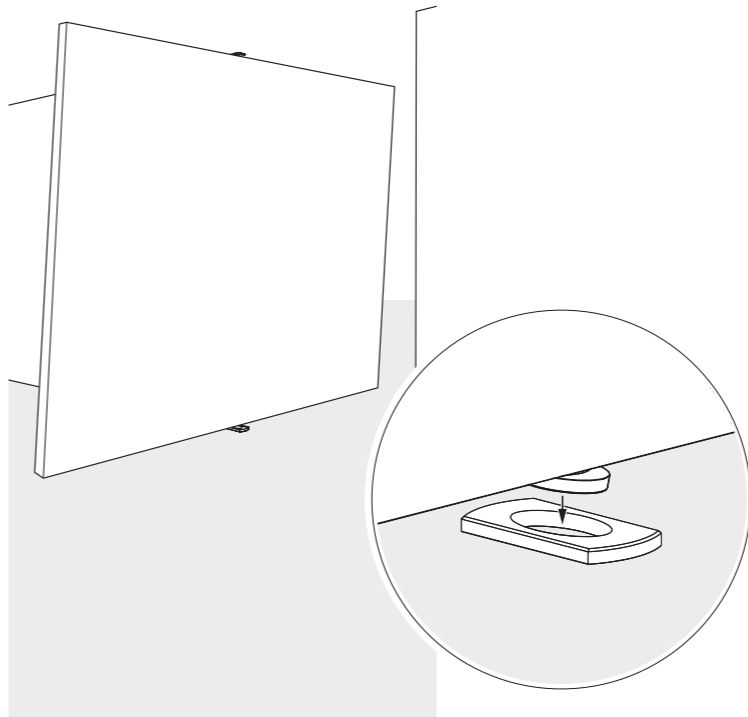


STONE	STEEL	WOOD
2X	2X	2X
NOT INCLUDED	NOT INCLUDED	

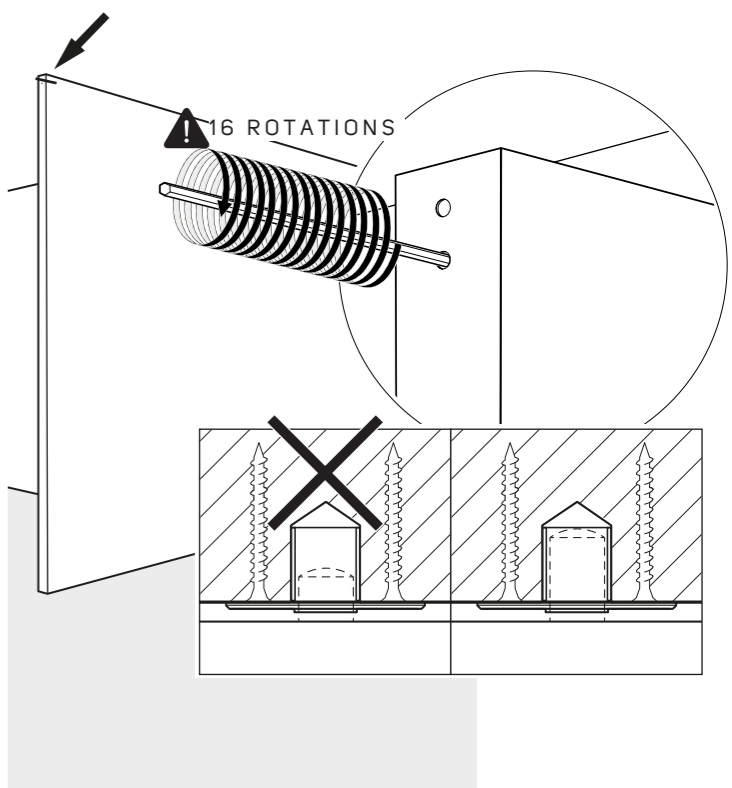
 FOR MILLING INSTRUCTIONS CONSULT SYSTEM 3 MILLING MANUAL



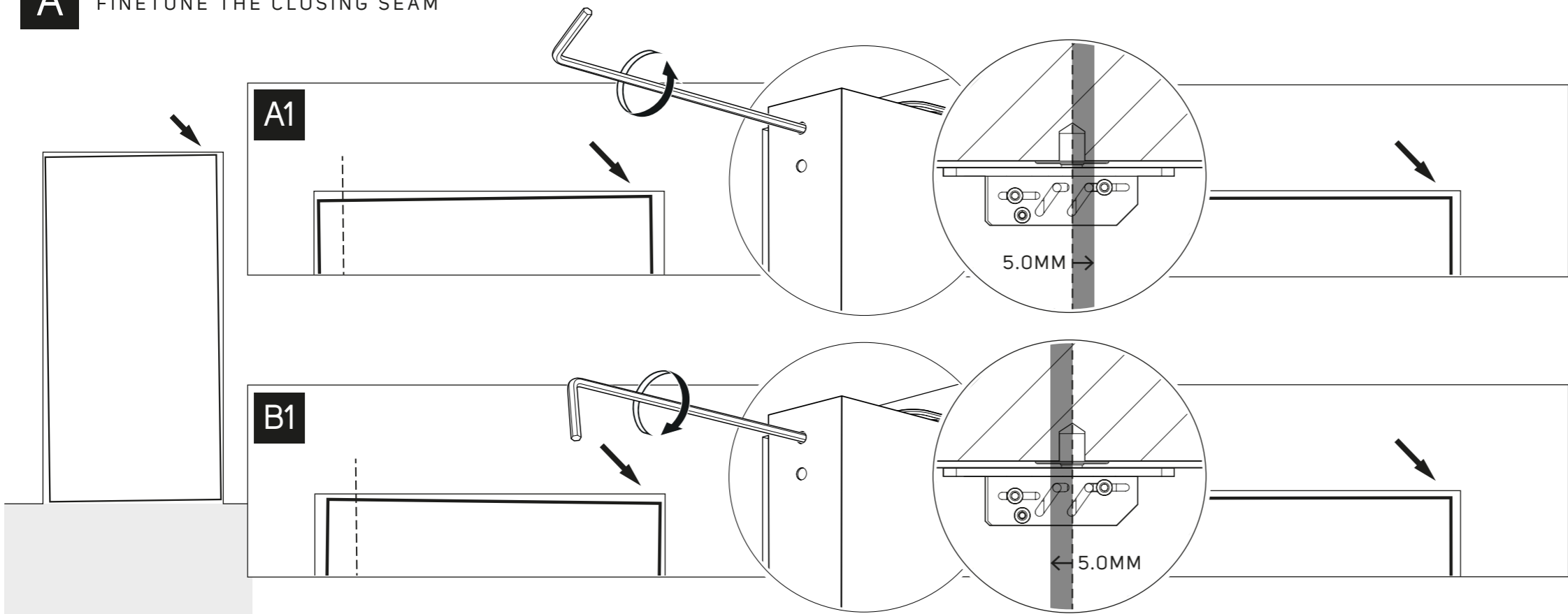
**7** MOUNT THE DOOR



**8**



**A** FINETUNE THE CLOSING SEAM



**B** FINETUNE THE RADIAL POSITION

