

# SURFACE-MOUNT CONCEALED HINGE HES2S-140-A125 125° Opening

**INSTRUCTION**



Passed 300,000 open/close private cycle test

- Surface mount for door frame enables easy installation.
- 3-way adjustment function allows vertical, horizontal, and depth adjustment after hinge installed.



Black



Closed

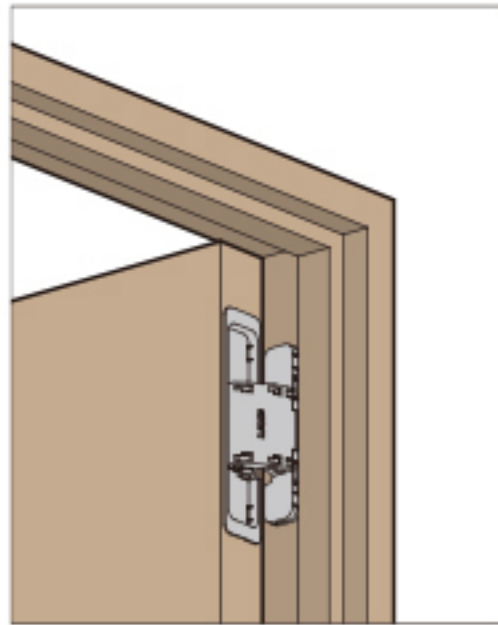


Back



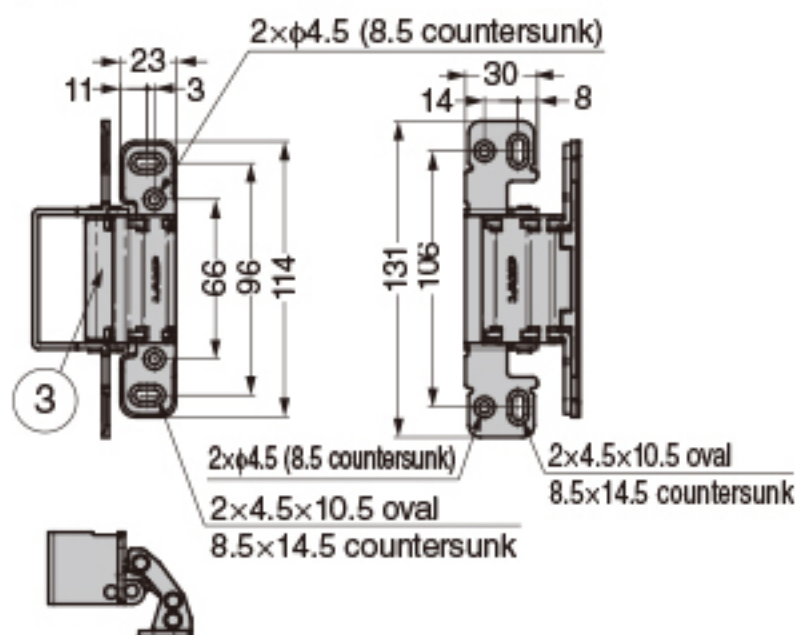
With cover and plate removed

**[Usage Image]**

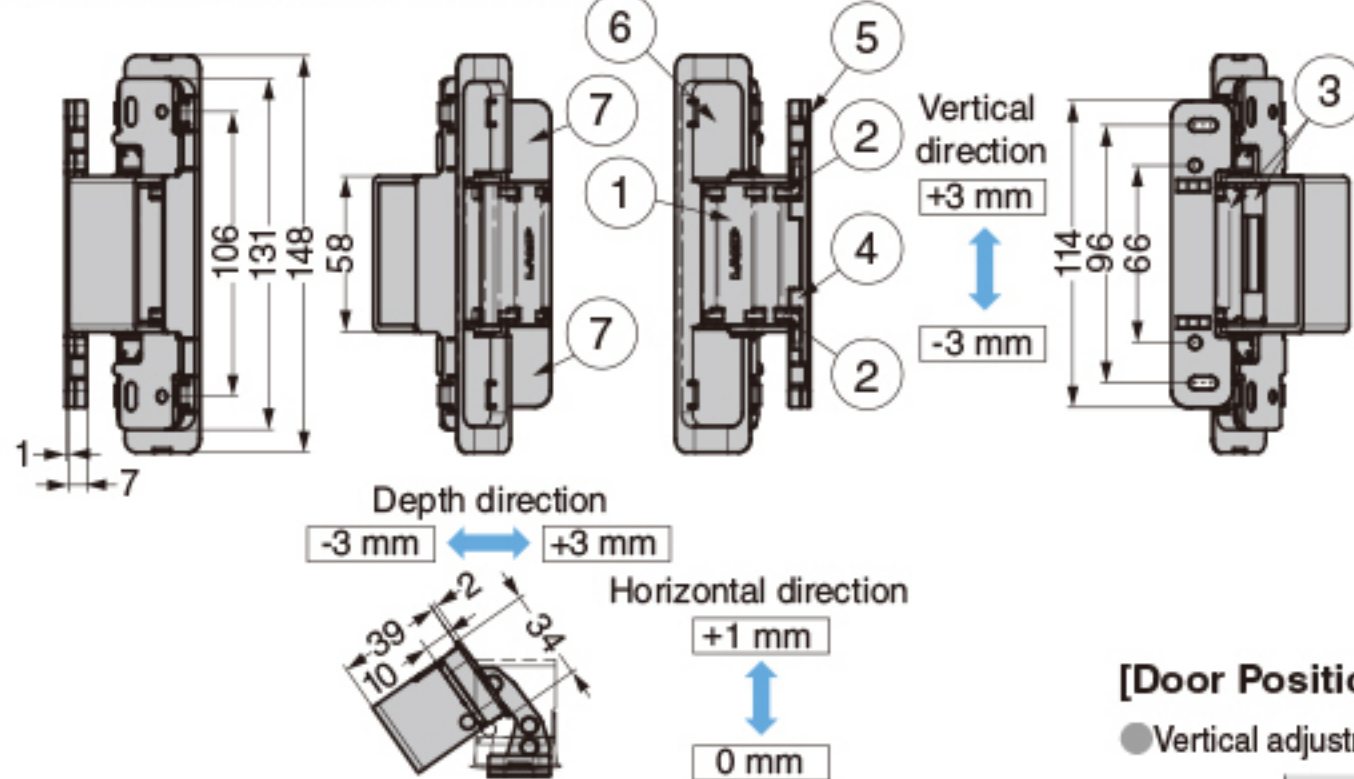


No mortising on the frame side is required.

**[Opened to 90° (without cover)]**



**[Opened to 125° (with cover)]**



**[Remarks]**

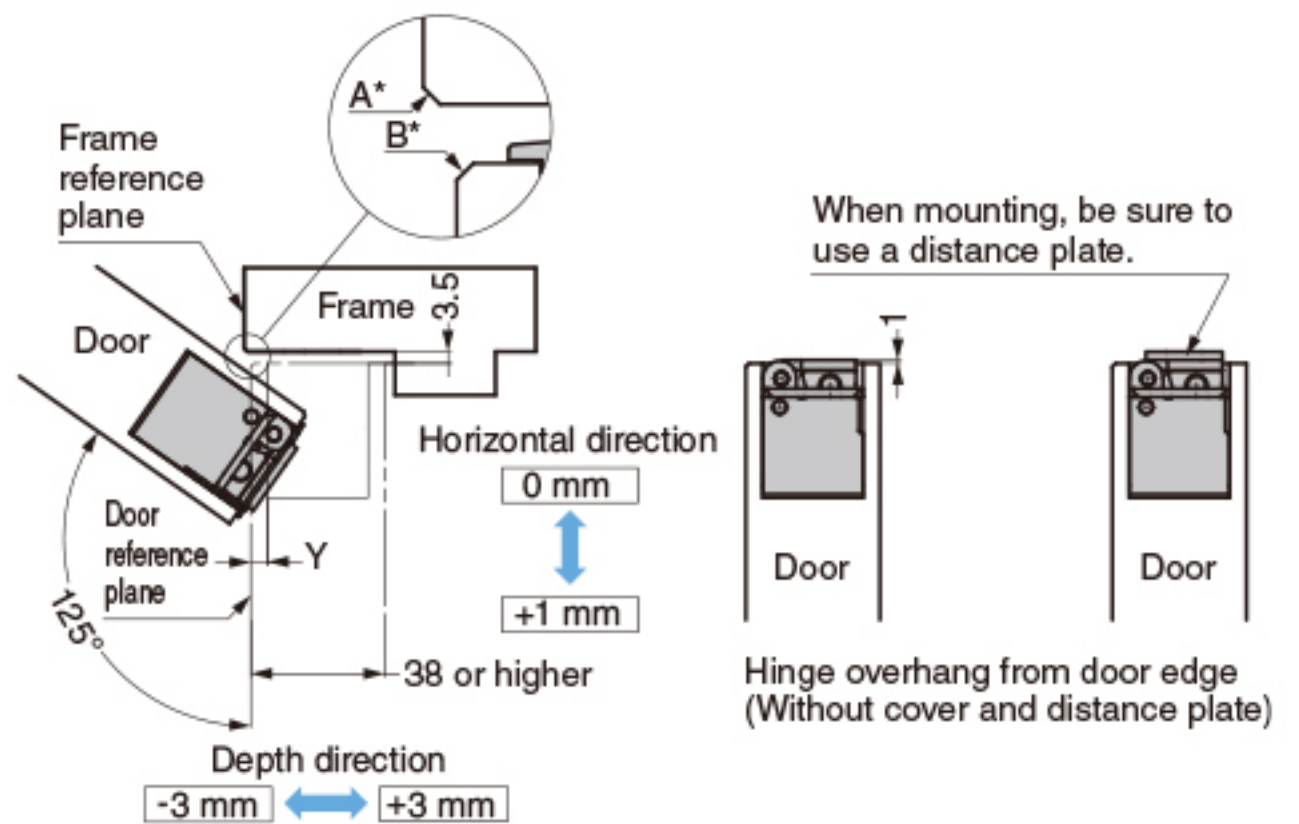
- Use with a door stopper, etc. to prevent opening farther than 125°.
- The hinge cannot be divided between the door and frame.

**[Parts included]**

- Countersunk head tapping screw 4X20 (8 pcs/hinge) Steel
- Door side drilling/frame side mounting template

**[Locus Chart]**

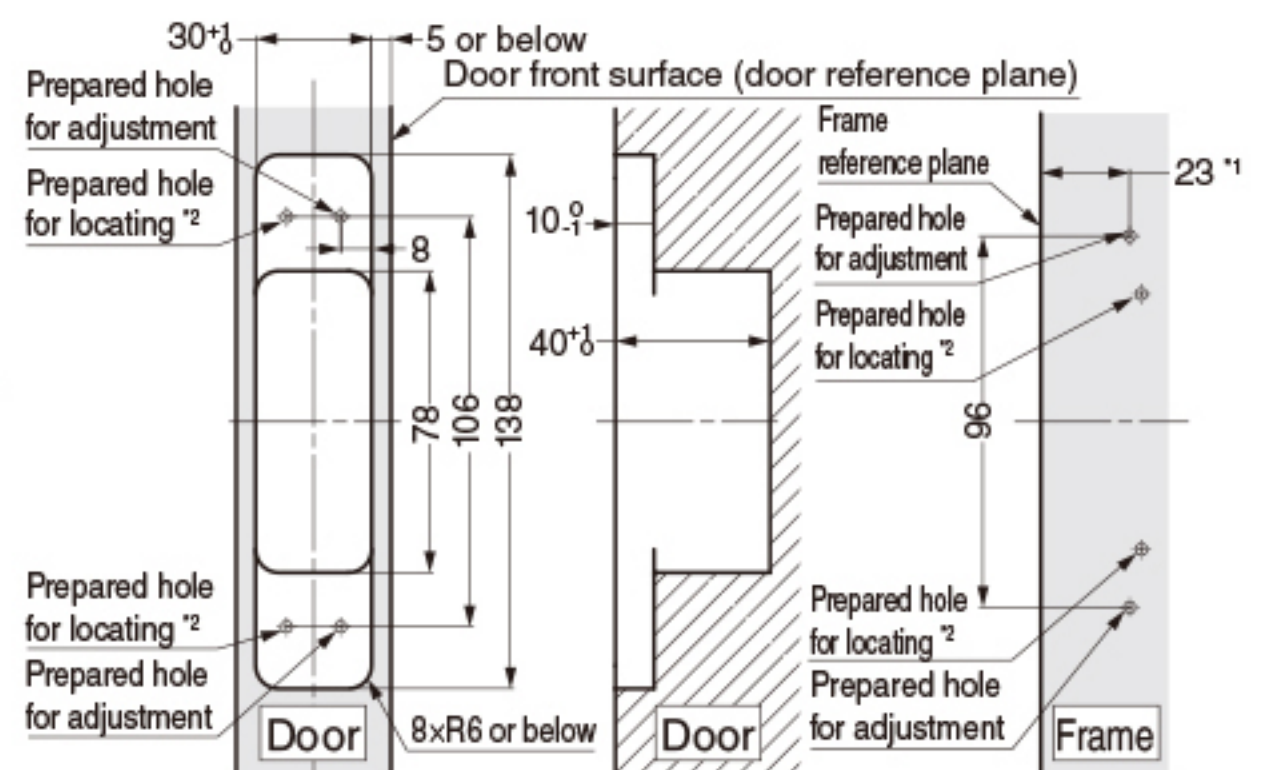
Drill at the \* mark in the figure (door/frame corner).



Y: Door Machining Margin	B: Door chamfering	A: Frame chamfering
4 or below	1 or higher	1 or higher
5		

**[Cut Out Dimensions]**

Drill pilot holes at the positions of the adjustment and locating screws.

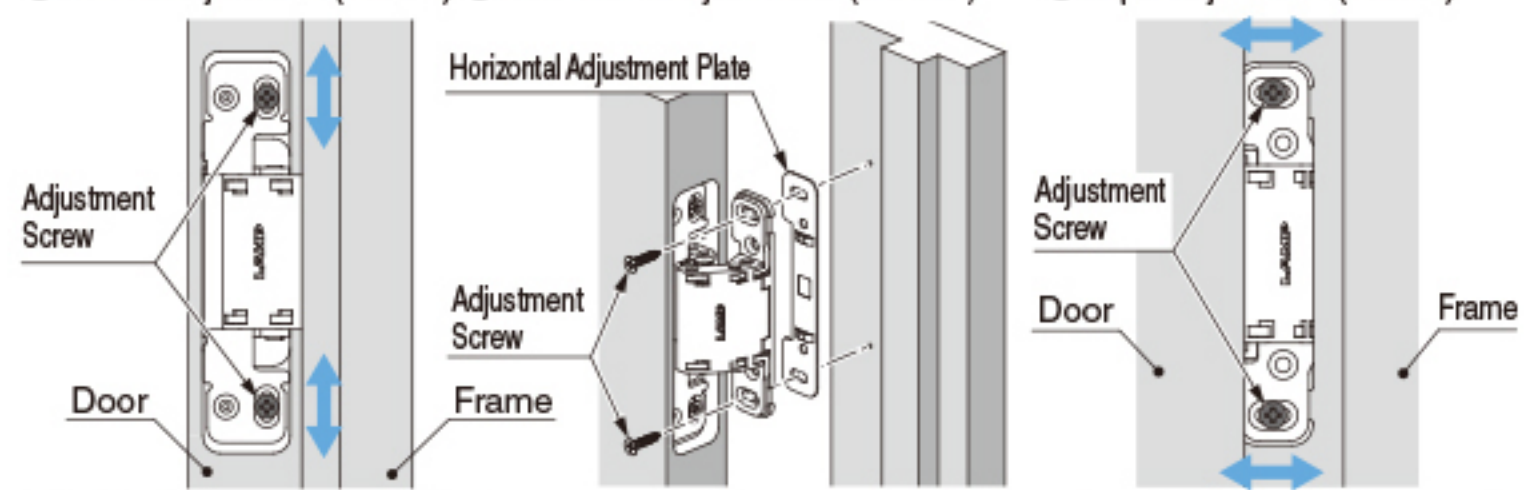


<sup>1</sup>When door machining margin is 5 mm.

<sup>2</sup>The position of prepared hole for locating changes according to adjustment.

**[Door Position Adjustment]**

- Vertical adjustment (±3 mm)
- Horizontal adjustment (+1 mm)
- Depth adjustment (±3 mm)



Adjust in the vertical/depth directions with oval hole screws and in the horizontal direction with the plate.

No.	Part Name	Material	Finish / Colour
①	Body	POM	Dark Grey, Light Grey, Black
②	Base Plate	SPCC	Nickel
③	Arm	Zinc Alloy (ZDC)	Chemical Treatment
④	Distance Plate	PBT	Dark Grey, Light Grey, Black
⑤	Horizontal Adjustment Plate	POM	
⑥	Socket Cover	ABS	
⑦	Base Plate Cover		

Door Width	Door Height	Door Thickness	Door Weight kg/2 pcs	Door Weight kg/3 pcs	Opening Angle
Max. 900	Max. 2700	Min. 38	50	65	125°