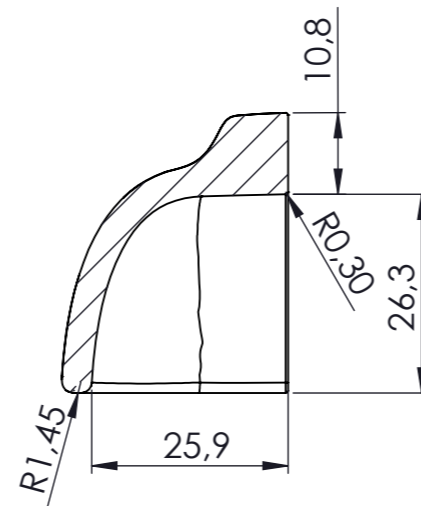
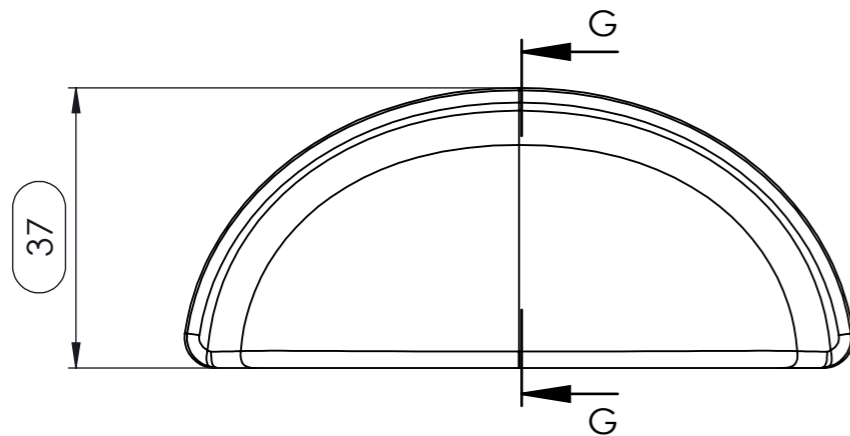
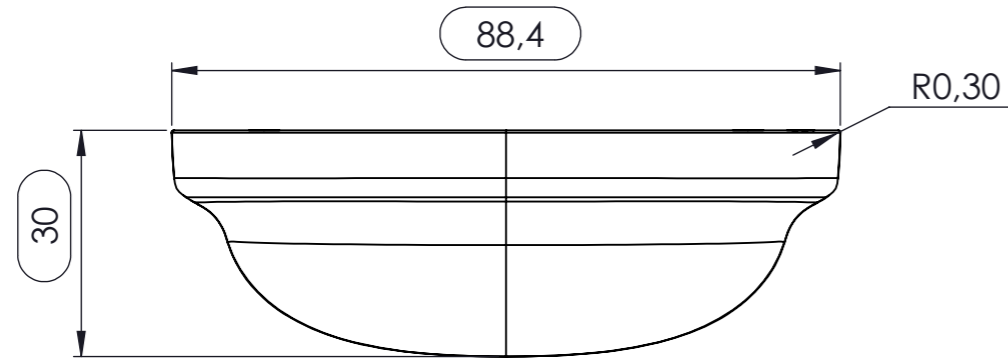
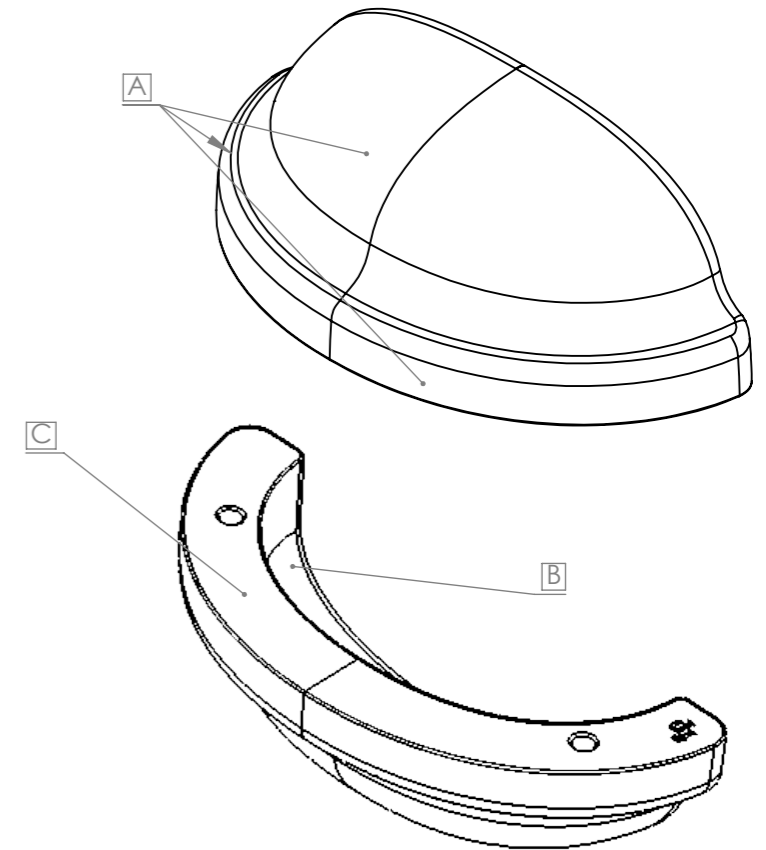
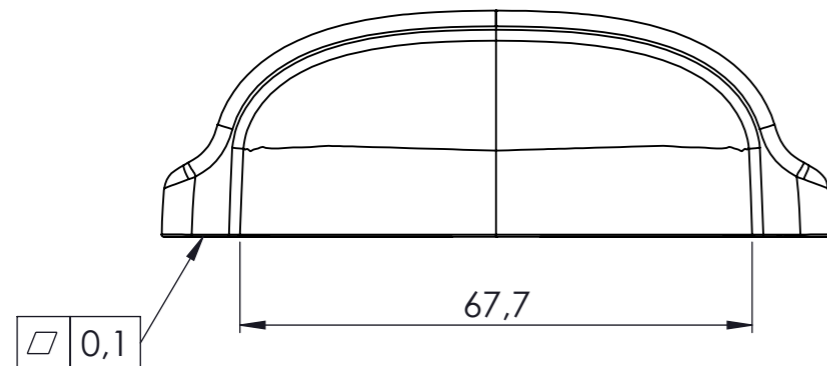


ϕ 3,30 ∇ 10
 M4x0.7 - 6H ∇ 9,30
 \sphericalangle ϕ 4,05 X 90°



SECTION G-G



Rev.:	Date:	Name:	Description:

Part name: BARON	Projection: 	Sheet format: A3	Tolerance unless otherwise specified DS/ISO 2768-1M <table border="1"> <tr> <td>Linear dimensions:</td> <td>0-3</td> <td>3-6</td> <td>6-30</td> <td>30-120</td> <td>120-400</td> <td>400-1000</td> <td>1000-2000</td> </tr> <tr> <td></td> <td>±0,1</td> <td>±0,1</td> <td>±0,2</td> <td>±0,3</td> <td>±0,5</td> <td>±0,8</td> <td>±1,2</td> </tr> <tr> <td>Angle:</td> <td colspan="2">±0,5°</td> <td colspan="4">Radius: ±5%</td> <td></td> </tr> </table>	Linear dimensions:	0-3	3-6	6-30	30-120	120-400	400-1000	1000-2000		±0,1	±0,1	±0,2	±0,3	±0,5	±0,8	±1,2	Angle:	±0,5°		Radius: ±5%				
	Linear dimensions:	0-3		3-6	6-30	30-120	120-400	400-1000	1000-2000																		
	±0,1	±0,1	±0,2	±0,3	±0,5	±0,8	±1,2																				
Angle:	±0,5°		Radius: ±5%																								
Sheet: 1 of 1	Scale: 1:1	Weight:																									
Designer: Jakob Kamper	Drawn by: NLS 04-09-2024	Finish requirements (PS-004) A = Most important surface B = Important surface C = Less important surface	furnipart [®]																								
Item no.:	Material: ZAMAC			Requirements confer PS-001 Technical Specifications																							
COPYRIGHT: THIS DRAWING MAY NOT BE COPIED OR REPRODUCED IN ANY WAY WITHOUT DIRECT PERMISSION FROM FURNIPART A/S																											