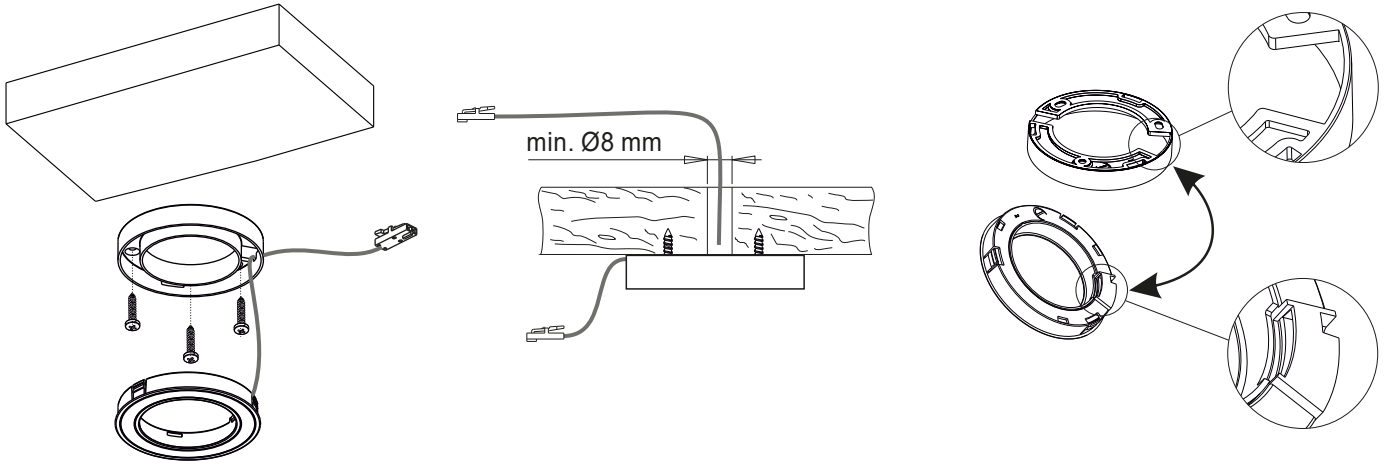
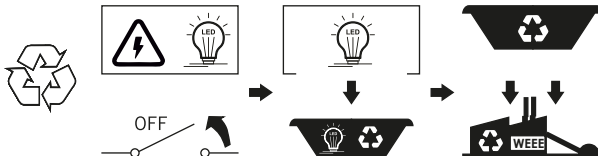
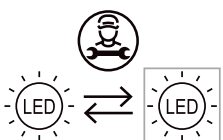
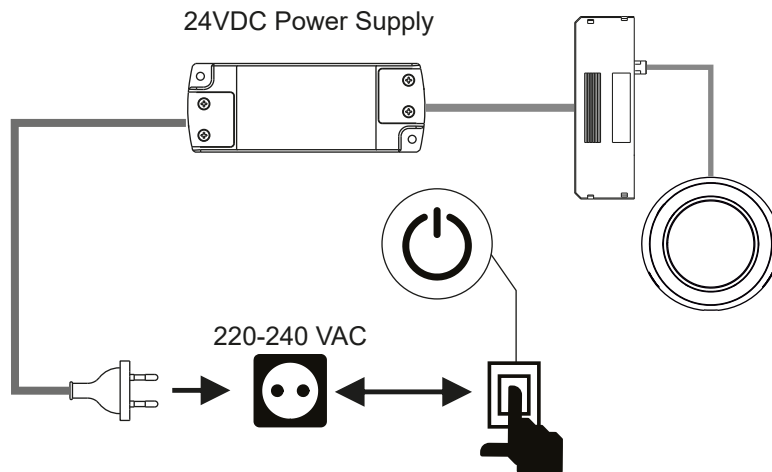




HOLL BH SP



HOLL (BH - TH / SP)



HOLL



HOLL SP