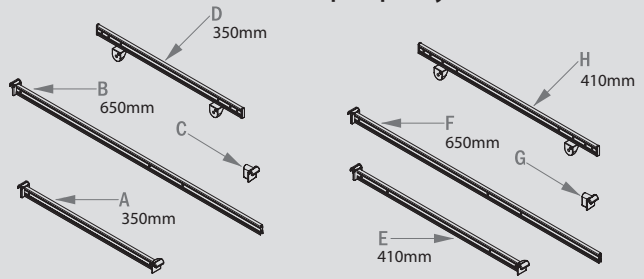




File Frame. Hanging file system kits.

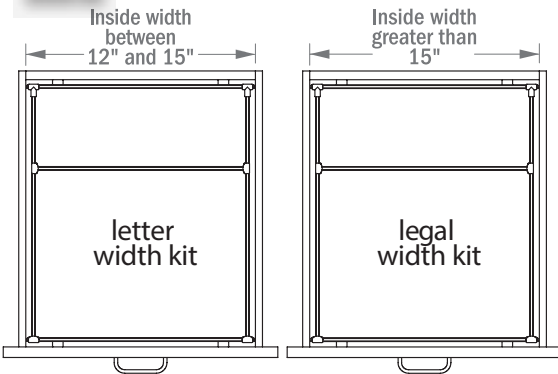
CompX Timberline File Frame kits provide an easy-to-install filing system which will accommodate any drawer size.

Kits contain all components needed to file front-to-back or side-to-side in properly sized drawers.

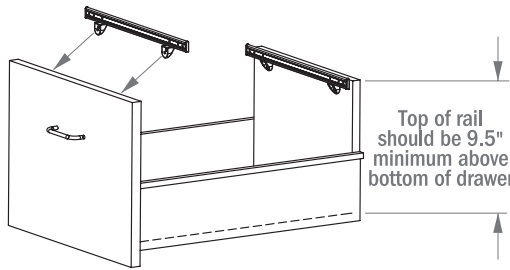


- | | | | |
|---------------------|--|--------------------|--|
| letter drawer width | | legal drawer width | |
| A: | Side-to-side rail; FF-LET; 1 per kit | E: | Side-to-side rail; FF-LEG; 1 per kit |
| B: | Cut to size cross rail; FF-SKA-25.000; 2 per kit | F: | Cut to size cross rail; FF-SKA-25.000; 2 per kit |
| C: | Cut to size bracket; FF-R25; 2 per kit | G: | Cut to size bracket; FF-R25; 2 per kit |
| D: | Front and back rail; FF-1FL-13.153; 2 per kit | H: | Front and back rail; FF-1FL-16.153; 2 per kit |

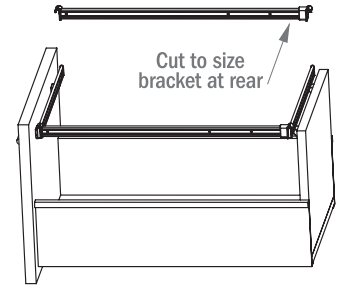
Step 1: Determine kit needed



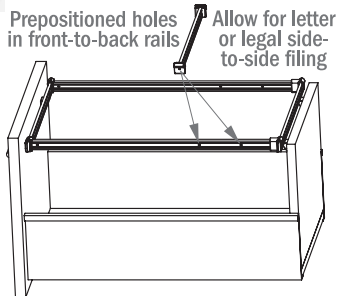
Step 2: Attach fixed rail



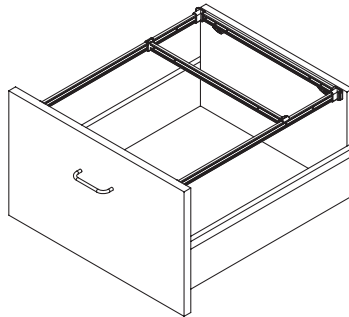
Step 3: Size, cut and install rails



Step 4: Install side-to-side rail



Step 5: And the file system is complete



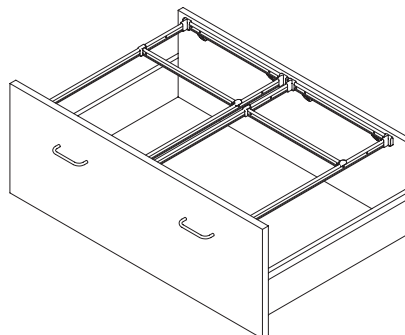
For more information, or to see file frame installation videos, please visit:

<http://compX.com/timberline.html>

For lateral files, use two kits to maximize filing space.

For wide lateral file type drawers, with an inside width **26"** or more, two letter kits can be used side by side to maximize filing.

For wide lateral file type drawers, with an inside width **31"** or more, two legal kits can be used side by side to maximize filing.



File Frame part numbers

Finish color	Drawer width Letter	Drawer width Legal
Black	FF-SK2	FF-SK3
White	FF-SK2-W	FF-SK3-W